



# RENAULT CLIO III 3/5D

Cat. no:  
**G50A**



09.2005 → 04.2009

05.2009 → 10.2012

**e20**

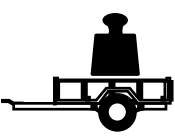
e20\*94/20\*0196\*00



**2h**

**D**

7,0 kN



R=1200 kg



-

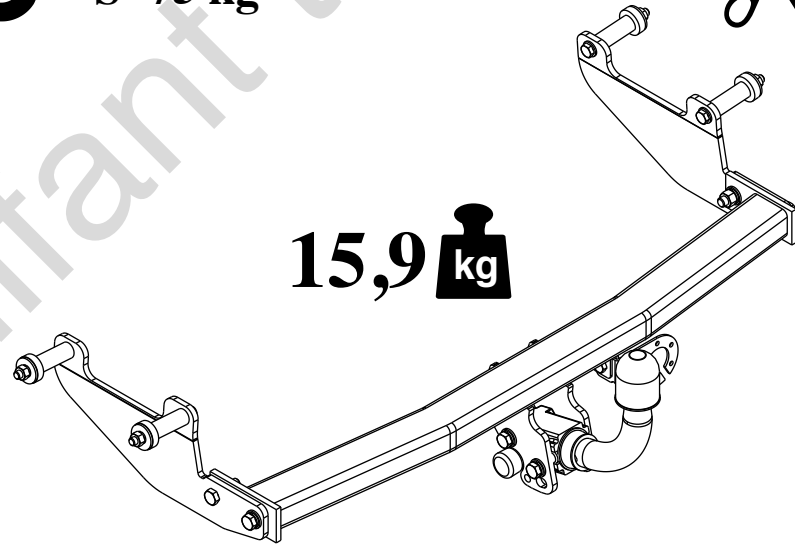


S=75 kg



-

**15,9 kg**



- M6 - 11 Nm
- M10 - 50 Nm
- M14 - 138 Nm

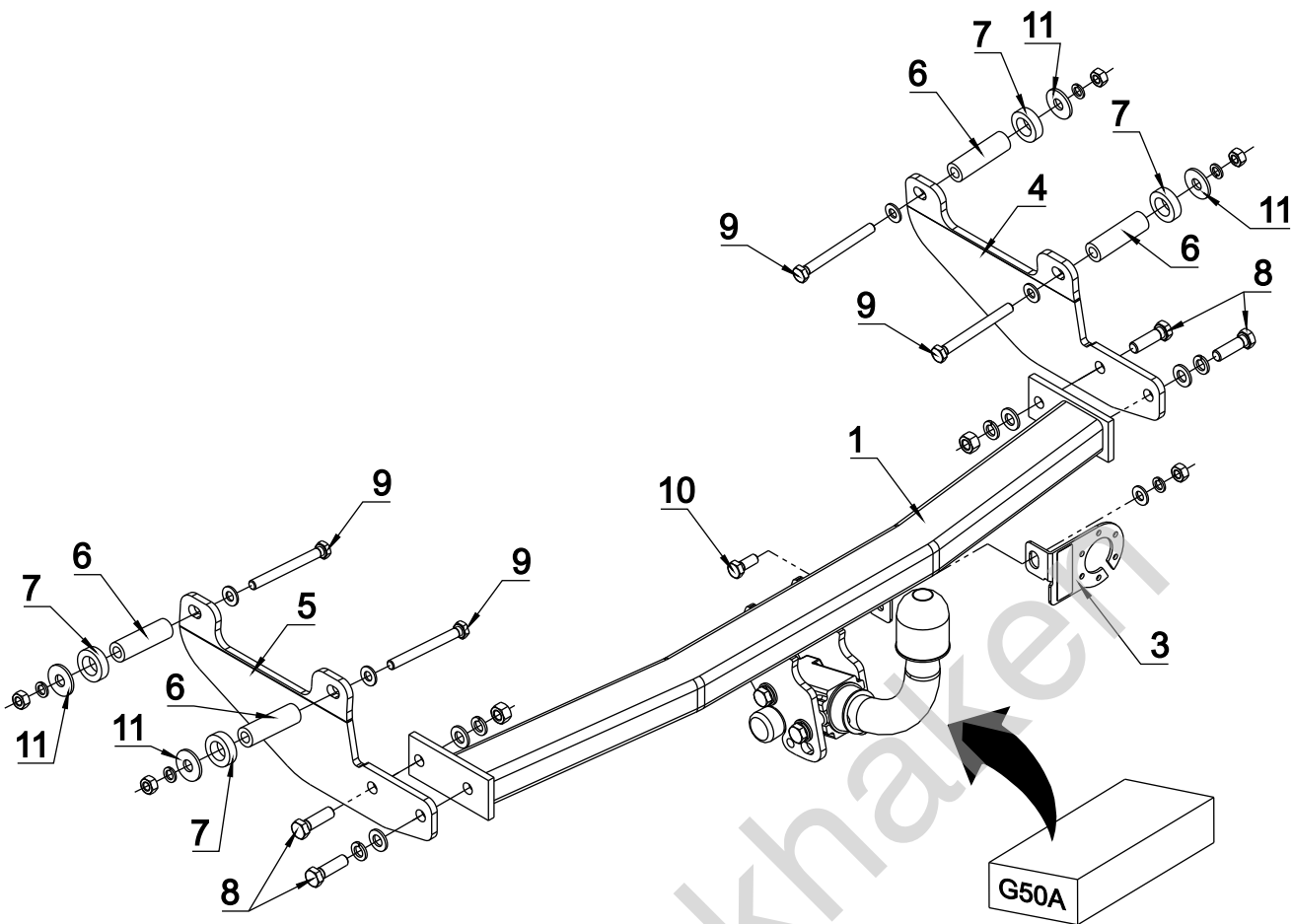
- M8 - 25 Nm
- M12 - 87 Nm
- M16 - 210 Nm

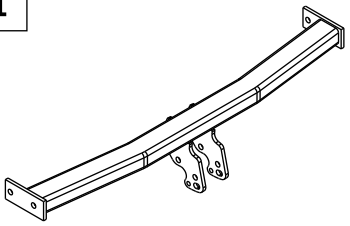
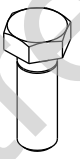
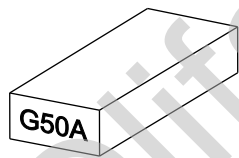

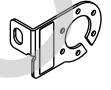
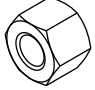
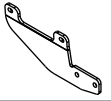

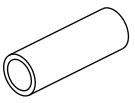
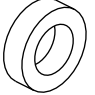


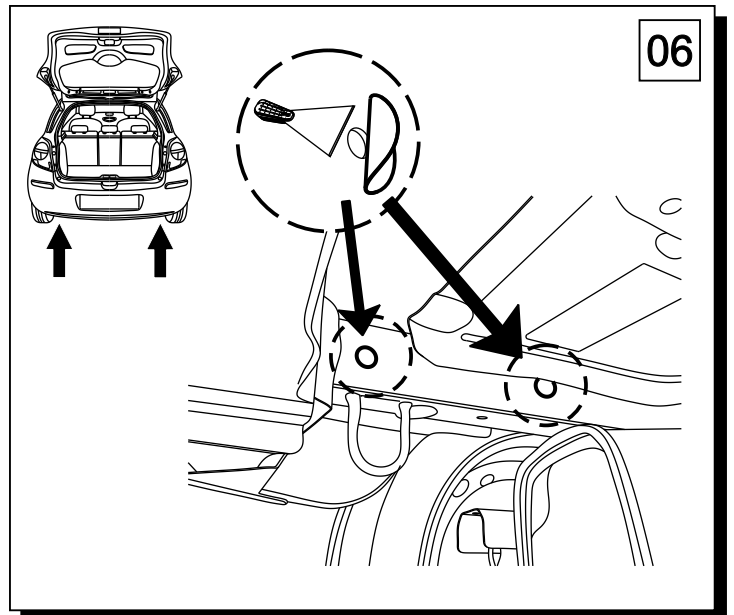
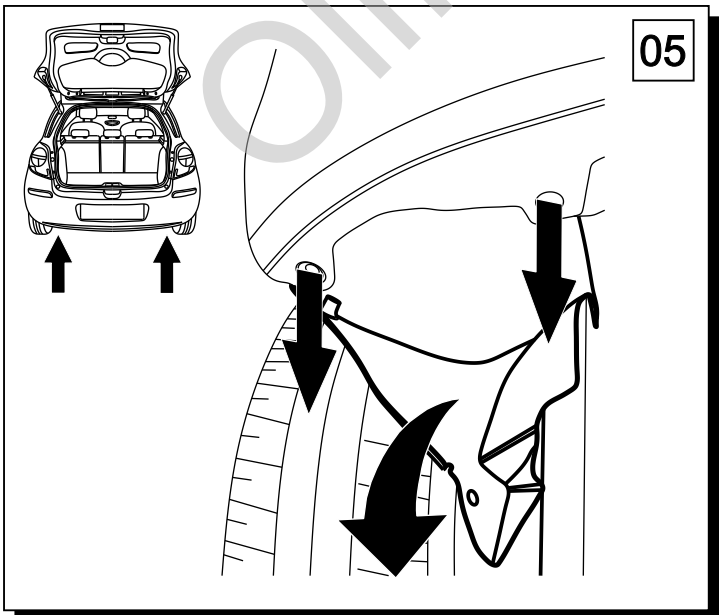
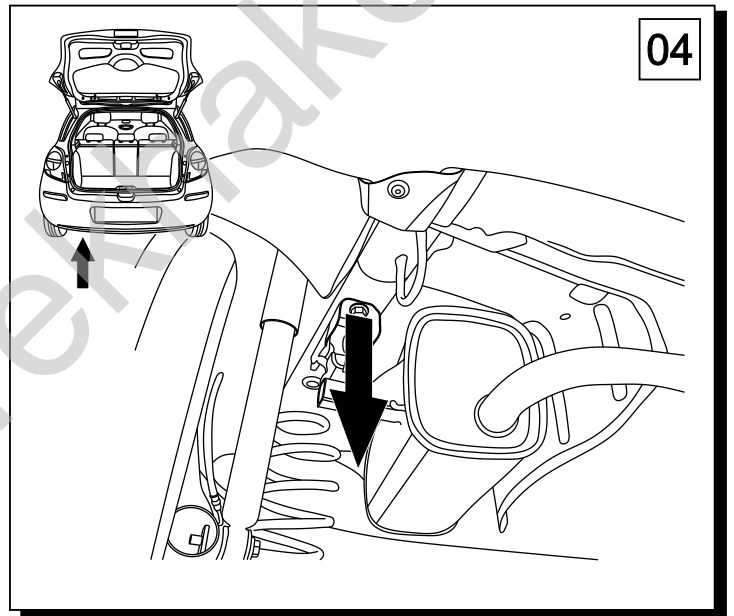
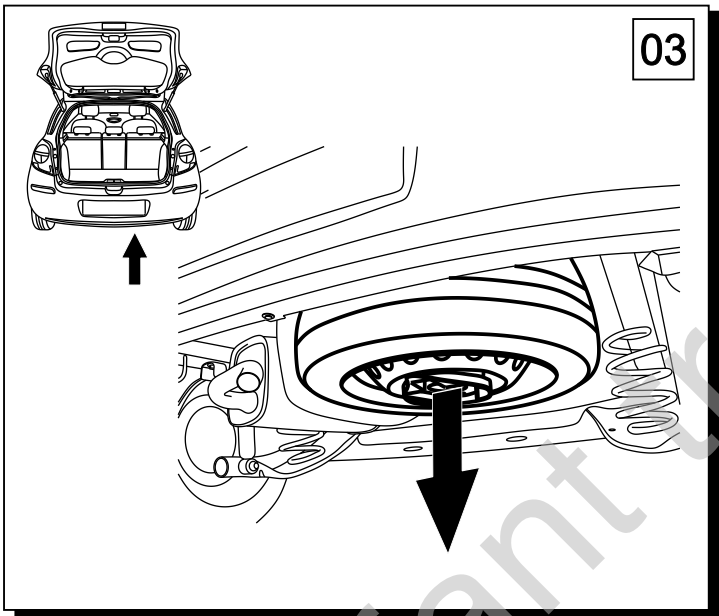
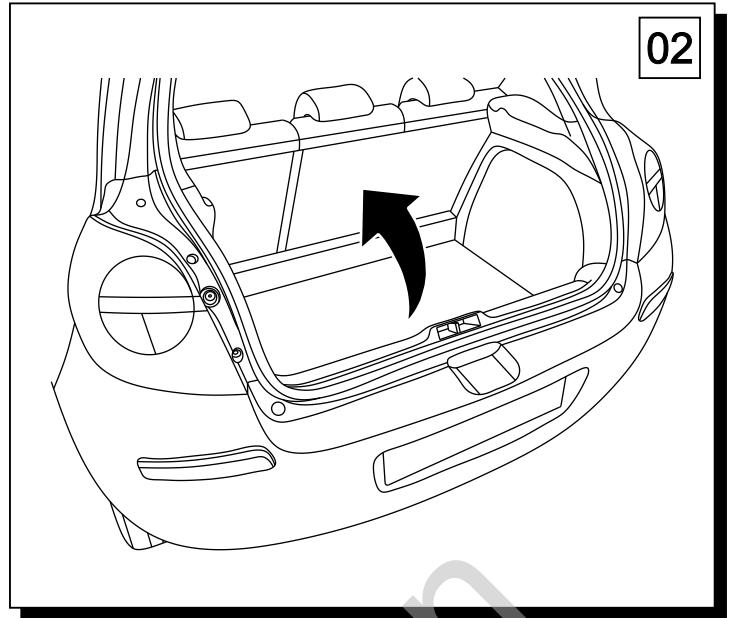
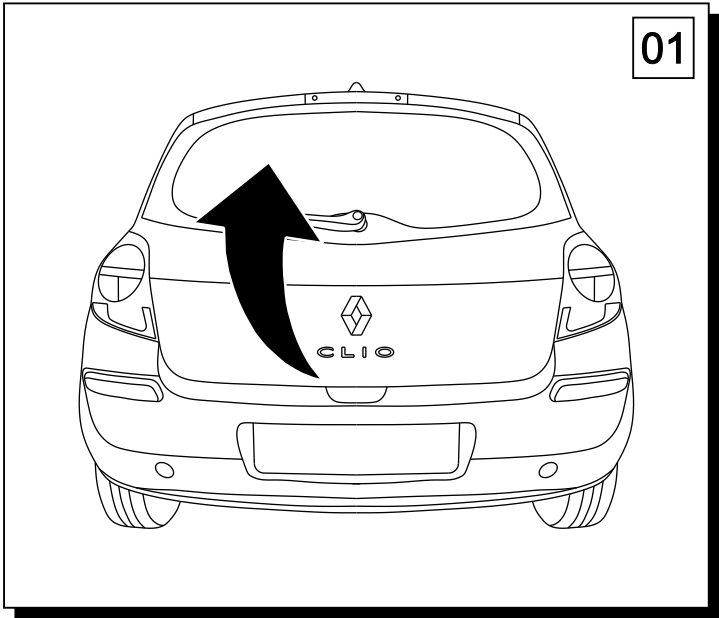
0 km →

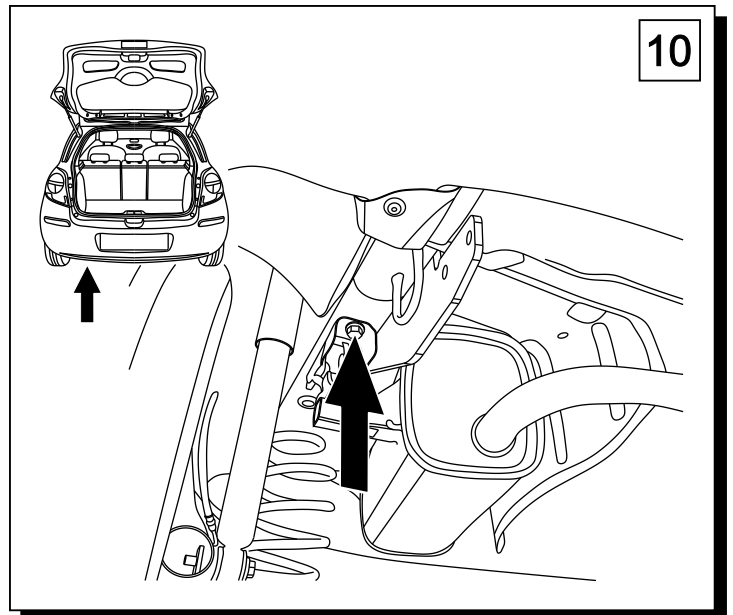
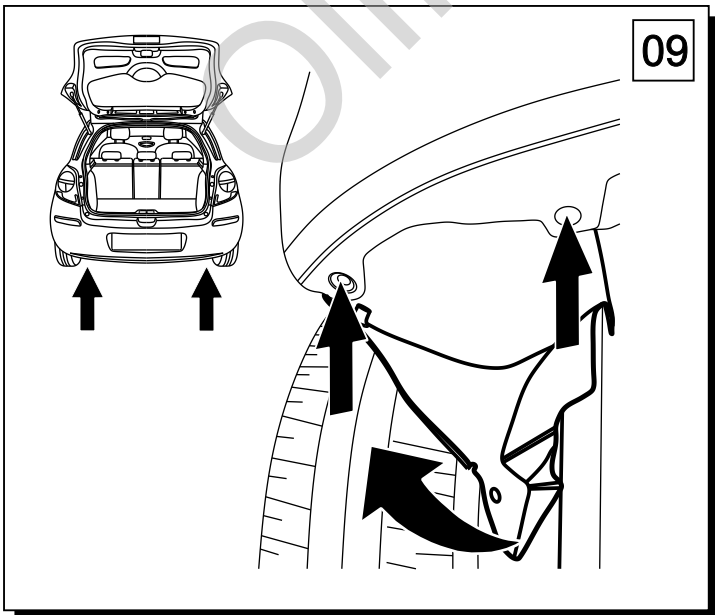
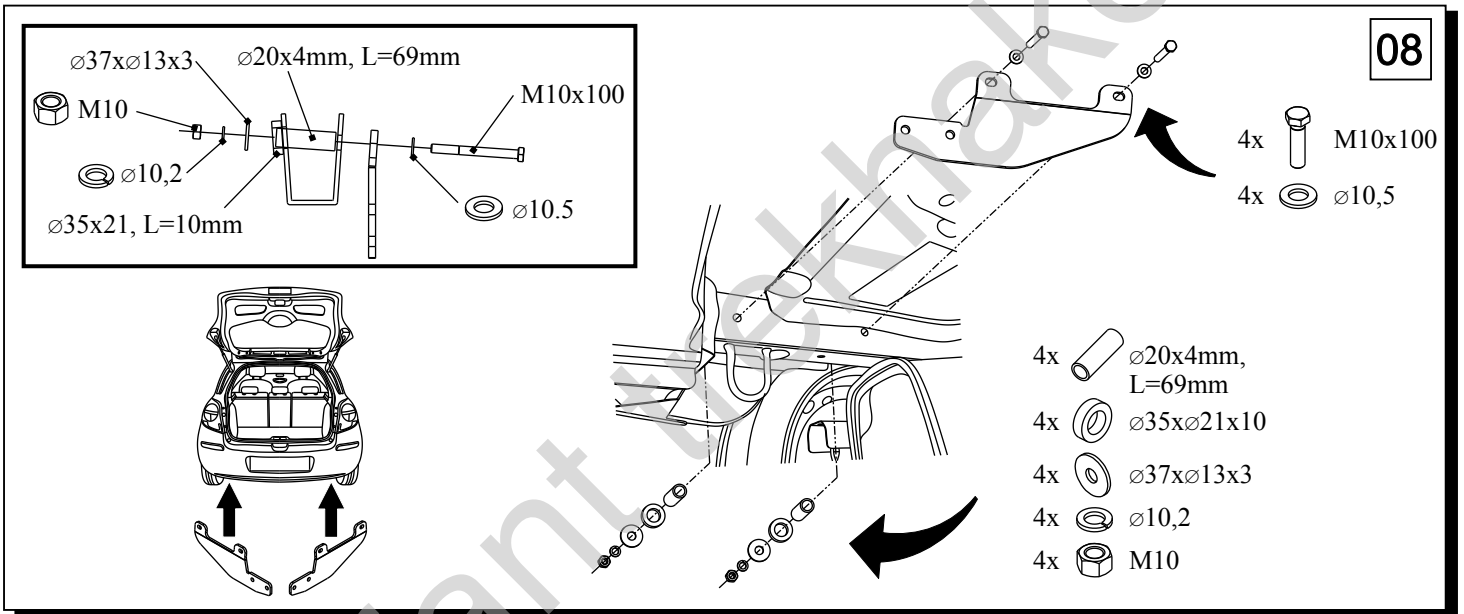
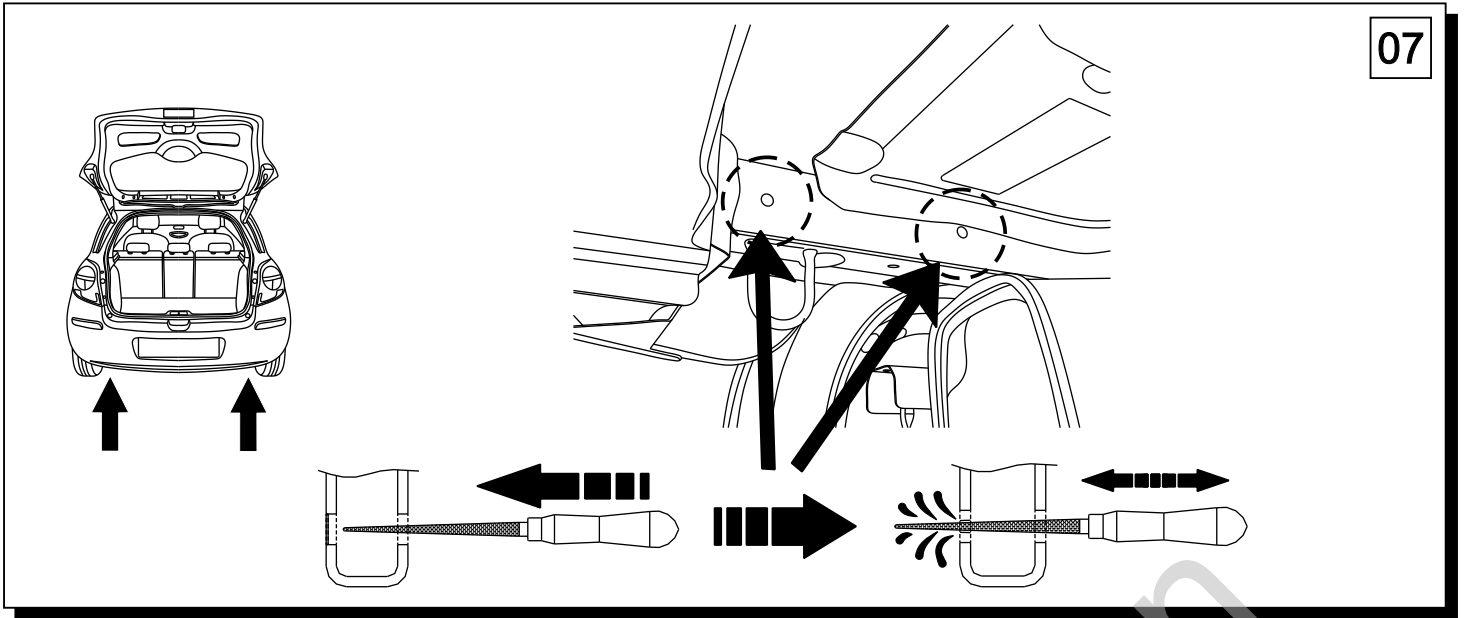


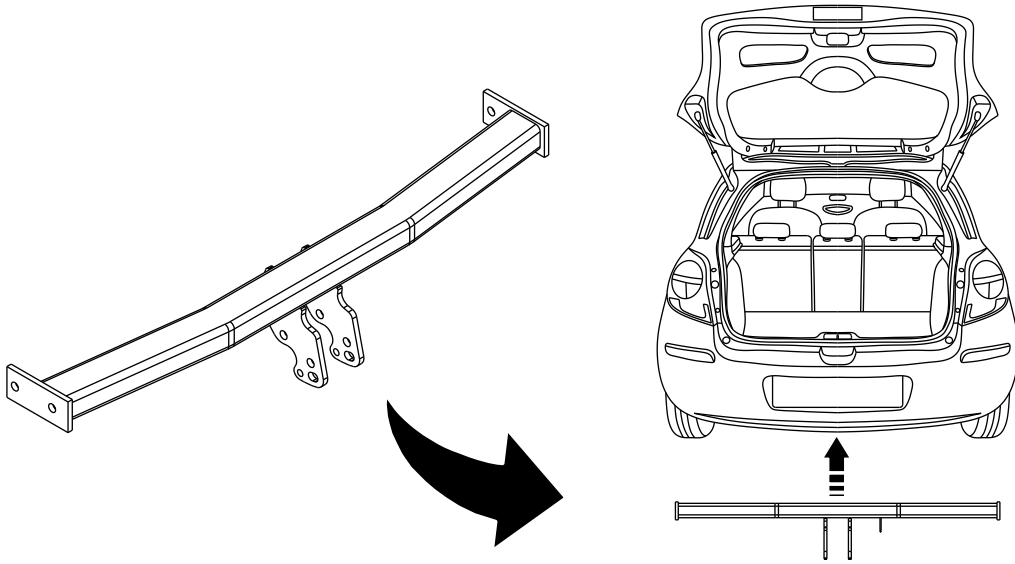
1000 km



1		x 1		8	M12x40	x 4
				9	M10x100	x 4
2		x 1		10	M10x25	x 1
				11	∅ 37x∅13x3 13 – DIN 9021	x 4
				12	∅ 13	x 4
				13	∅ 10.5	x 5
				14	∅ 12.2	x 4
3		x 1		15	∅ 10.2	x 5
				16	M12	x 2
4		x 1		17	M10	x 5
5		x 1				
6		x 4				
					∅20x4mm, L=69mm	
7		x 4				
					∅35x∅21, L=10mm	





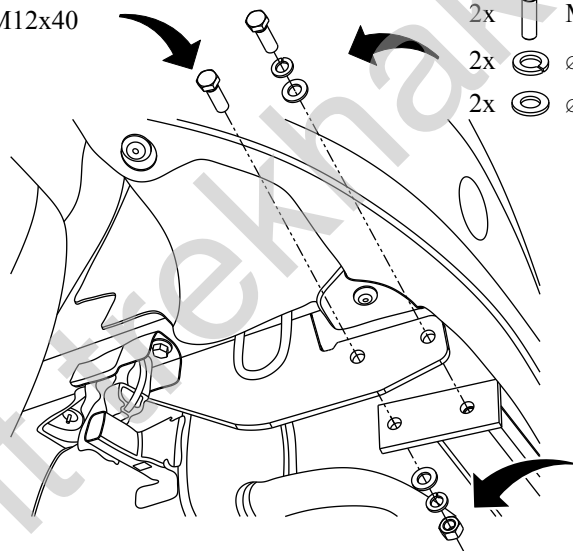
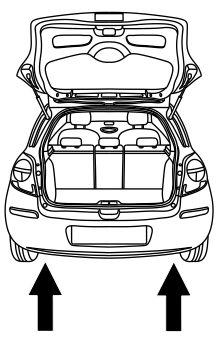


2x M12x40

2x M12x40

2x ø12,2

2x ø13



2x ø13  
 2x ø12,2  
 2x M12

