

# AUTO-HAK Sp. z o.o.

ul. Słoneczna 16K 76-200 SŁUPSK  
POLAND

tel/fax +48 59 8 414 414; +48 59 8 414 413

e-mail: [office@autohak.com.pl](mailto:office@autohak.com.pl)

[www.autohak.com.pl](http://www.autohak.com.pl)



# AUTO-HAK

## RENAULT MEGANE II

3/5D, ~~RS/CC~~

Cat. no:

**G41A**



11.2002 → 12.2005

01.2006 → 10.2008

e20

e20\*94/20\*1078\*00



2h

D

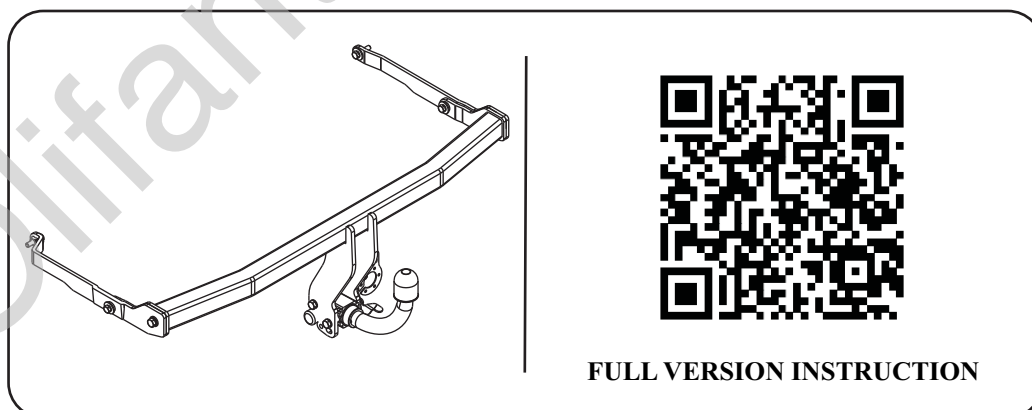
7,44 kN



R=1300 kg



S=75 kg



FULL VERSION INSTRUCTION



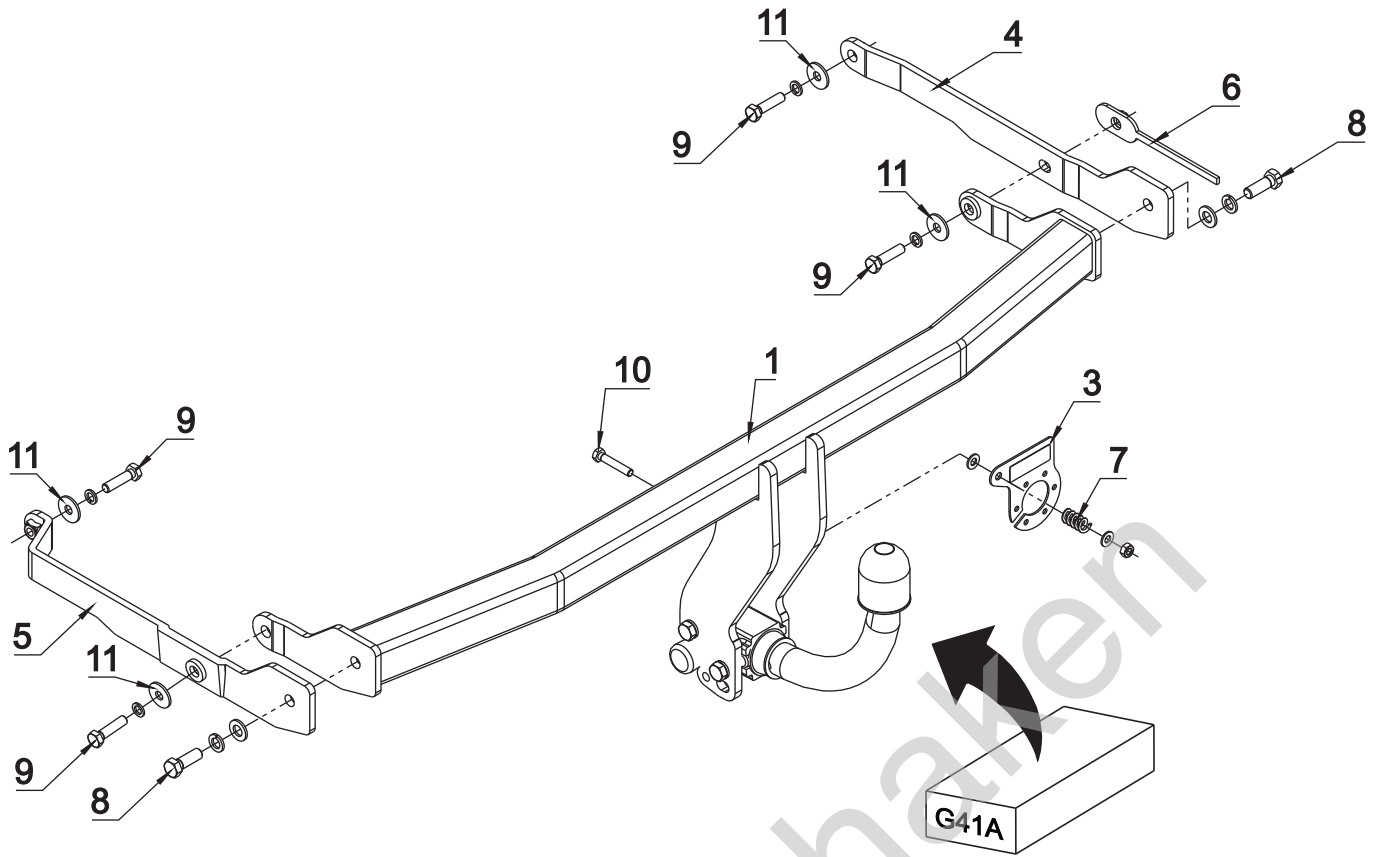
śruba	Nm	M6	M8	M10	M12	M14	M16
klasa 8.8		9,9	24	48	83	132	200
klasa 10.9		14	34	67	117	185	285

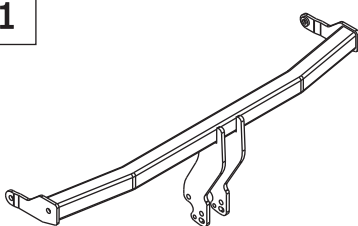

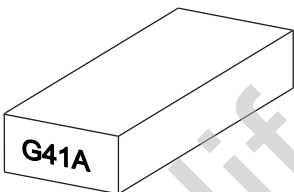


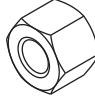


0 km

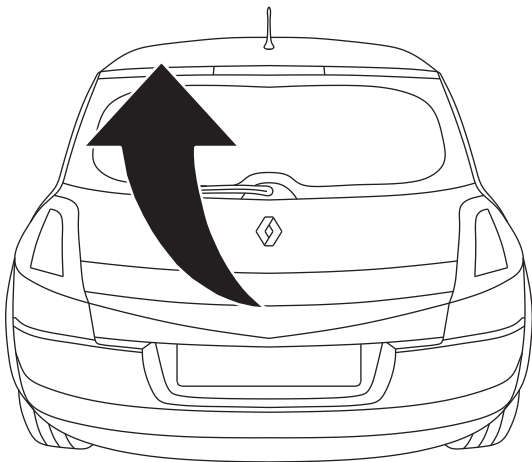


1000 km

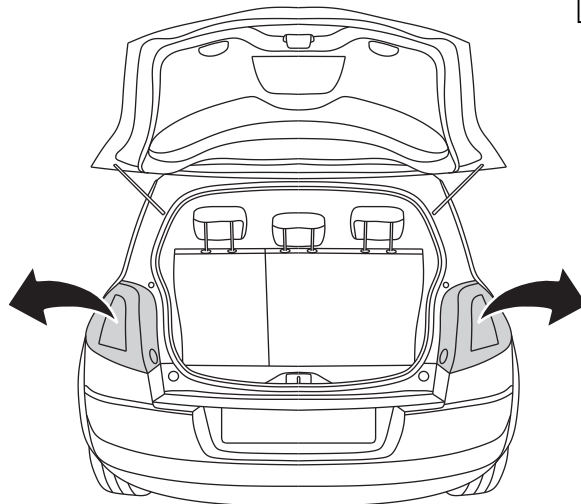


	<b>x1</b>		<b>8</b> M12x35	<b>x2</b>
			<b>9</b> M10x40	<b>x4</b>
			<b>10</b> M8x45	<b>x1</b>
			<b>11</b> $\varnothing$ 30x $\varnothing$ 10.5x2.5 10 (DIN 9021)	<b>x4</b>
	<b>x1</b> Art.nr-KL1G41A		<b>12</b> $\varnothing$ 13	<b>x2</b>
			<b>13</b> $\varnothing$ 8.4	<b>x2</b>
			<b>14</b> $\varnothing$ 12.2	<b>x2</b>
			<b>15</b> $\varnothing$ 10.2	<b>x4</b>
	<b>x1</b> Art.nr-BL1G41A		<b>16</b> M8	<b>x1</b>
<b>4</b>	<b>x1</b>			
<b>5</b>	<b>x1</b>			
<b>6</b>	<b>x1</b>			
<b>7</b>	<b>x1</b>			

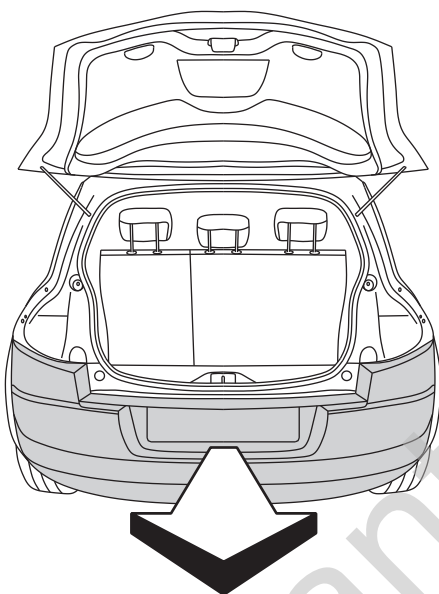
01



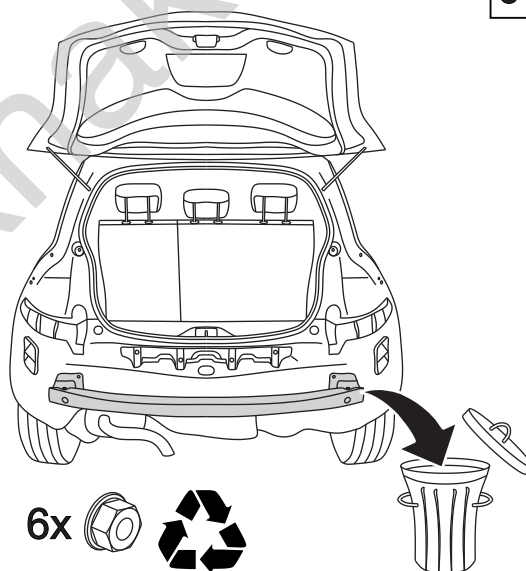
02



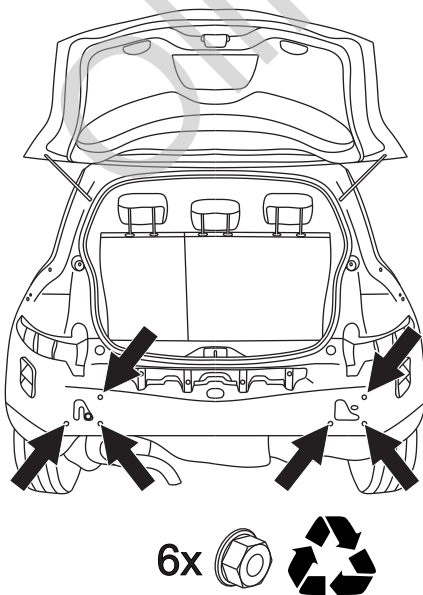
03



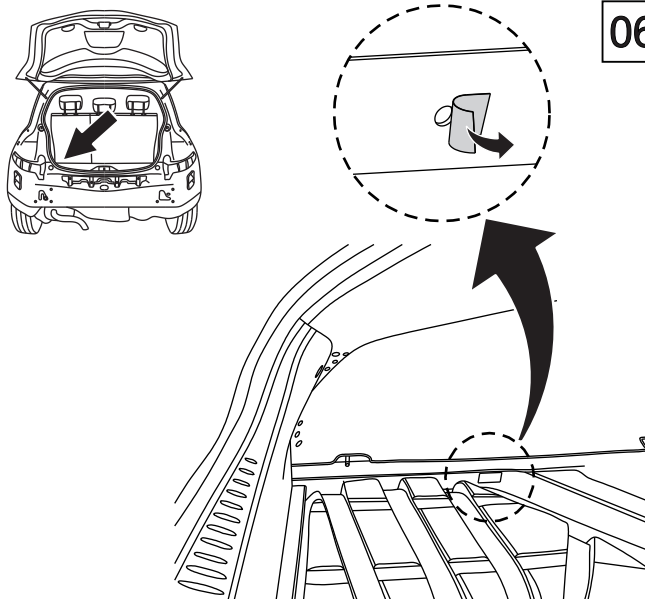
04

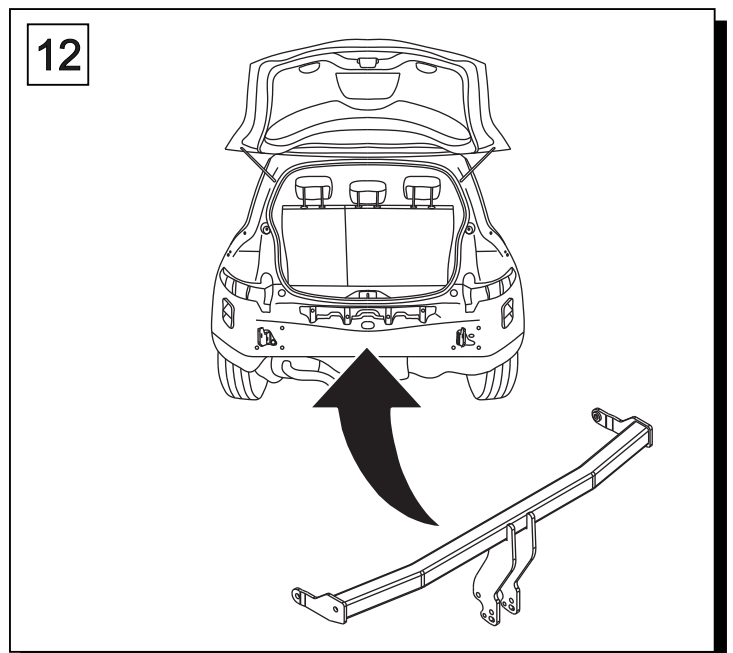
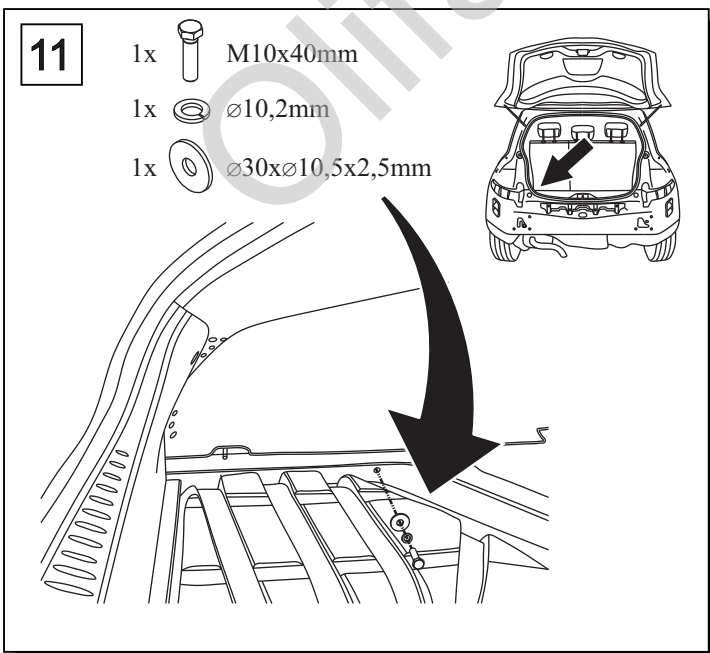
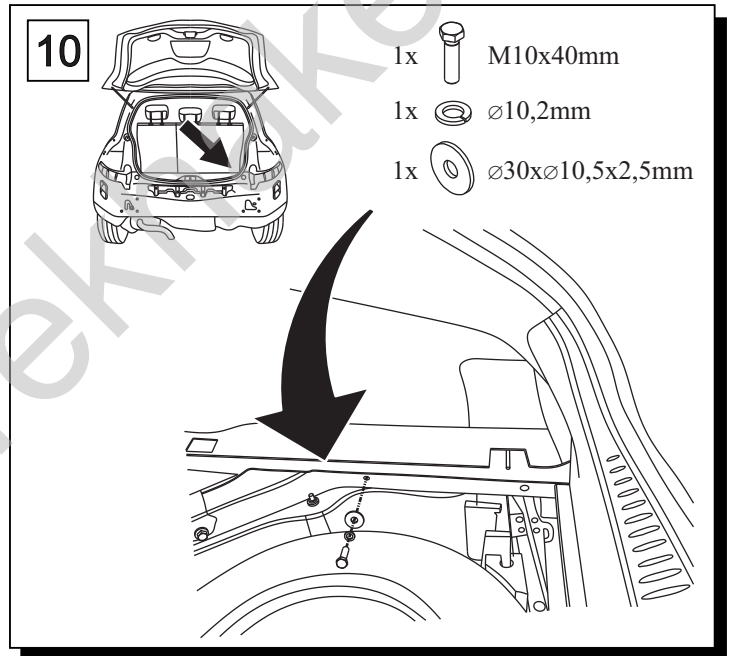
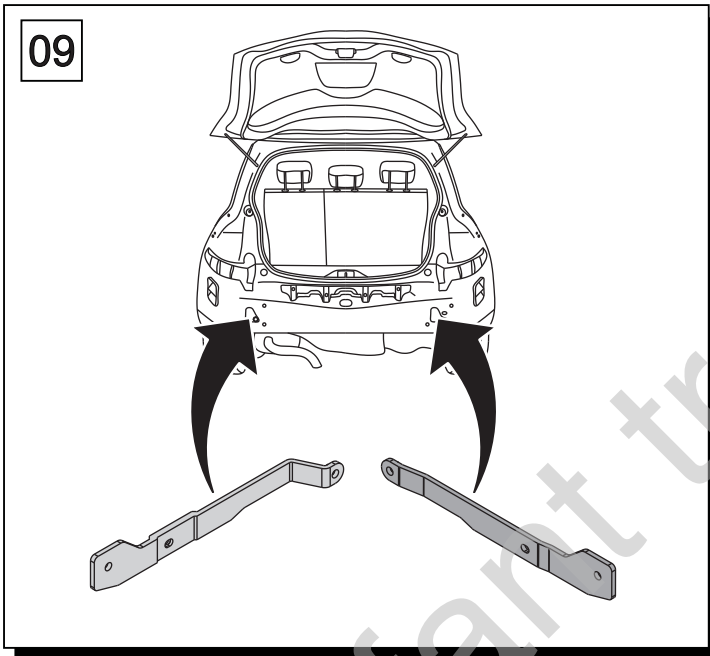
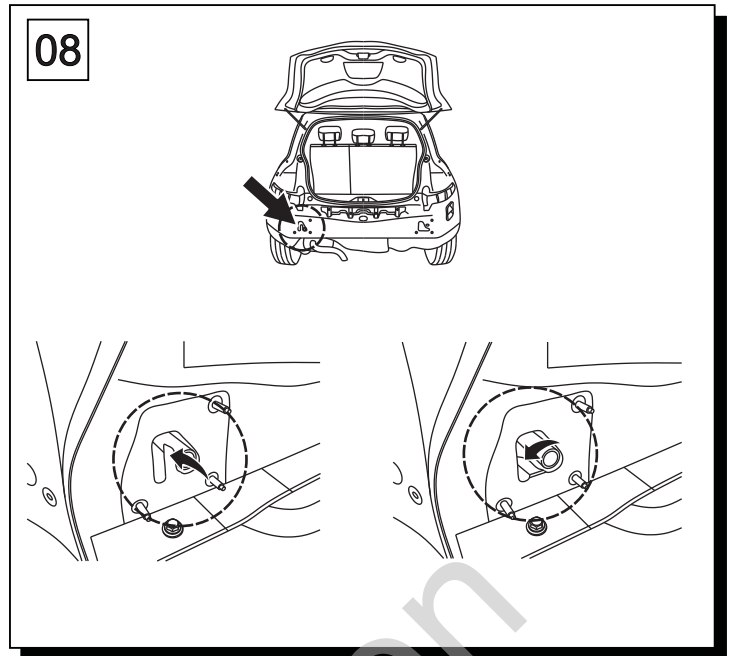
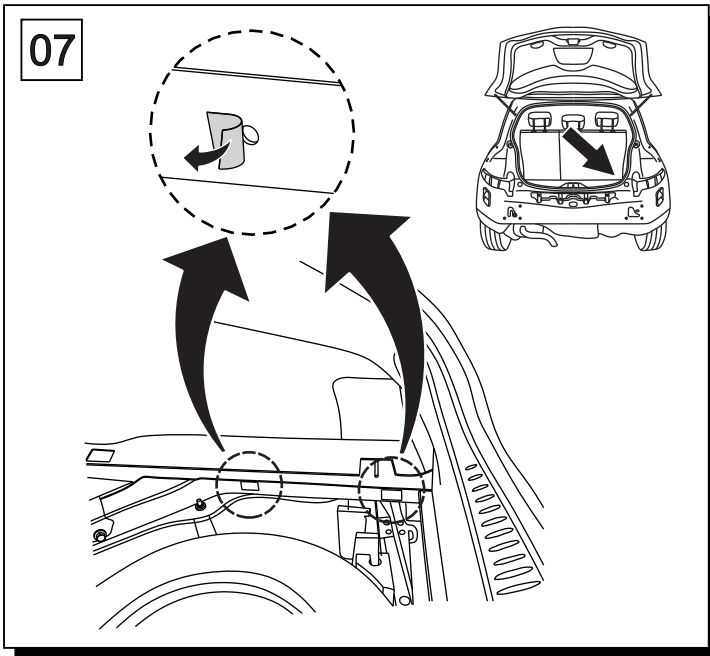


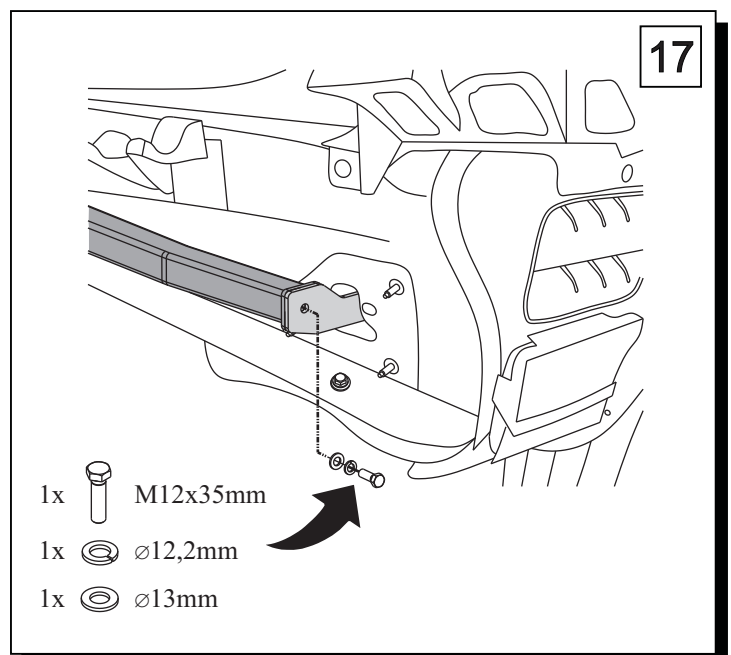
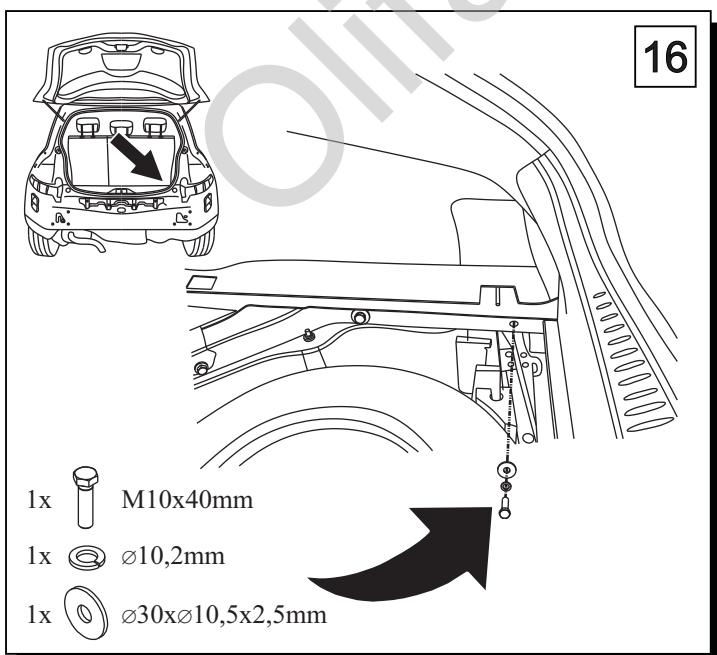
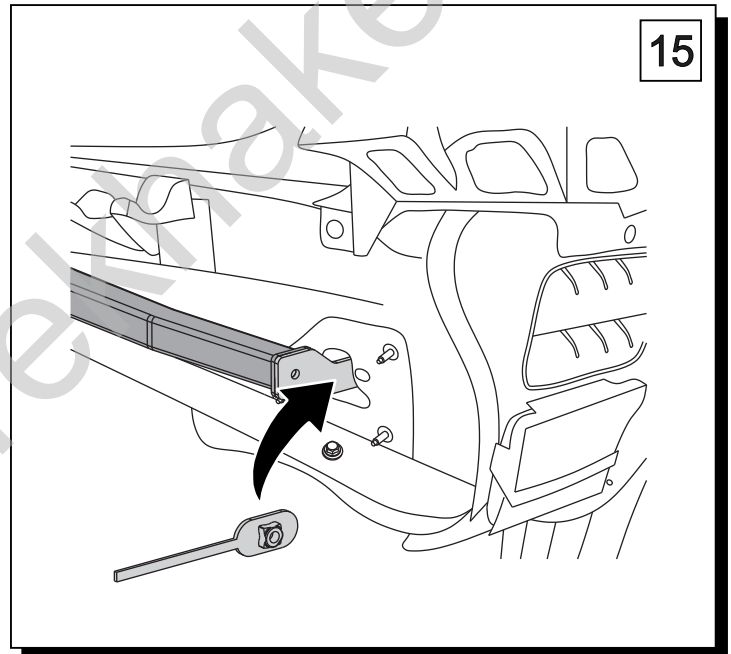
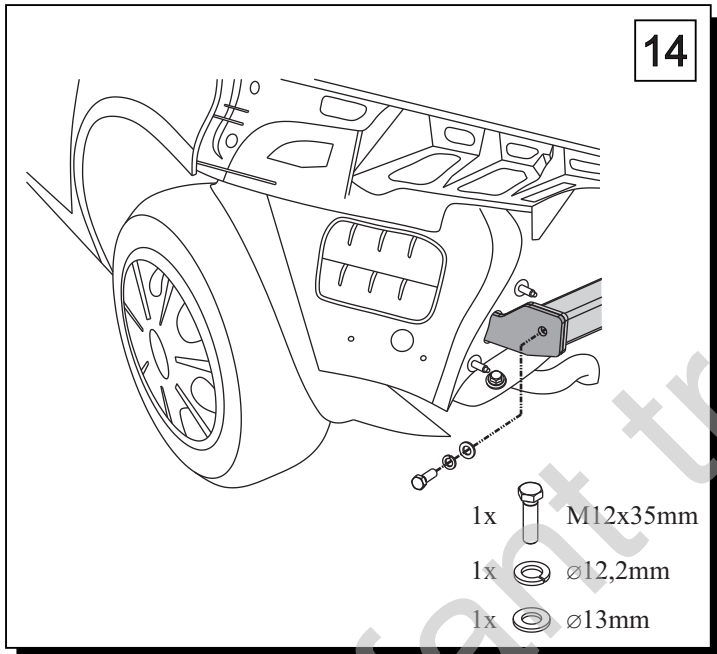
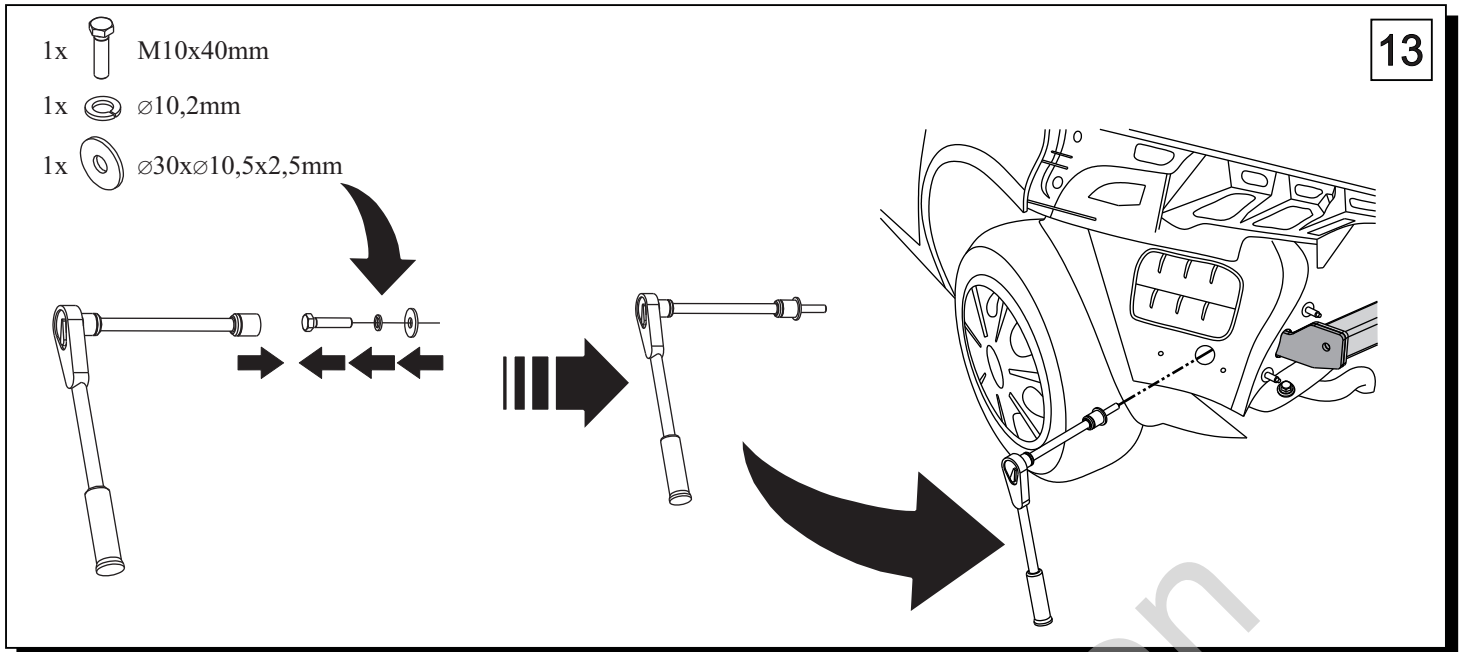
05



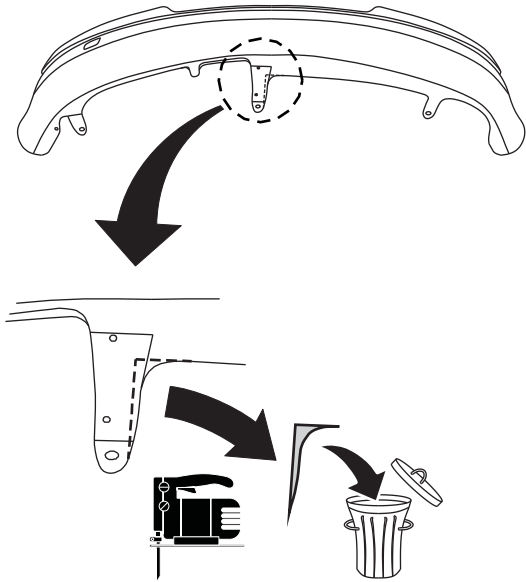
06



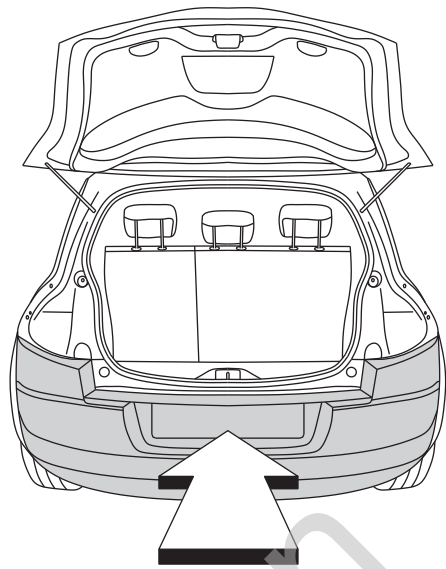




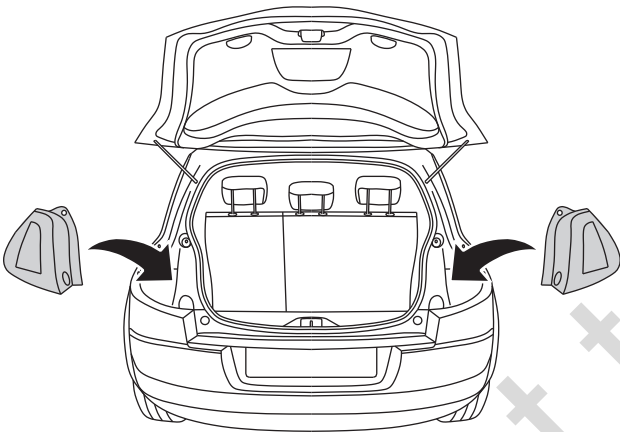
18



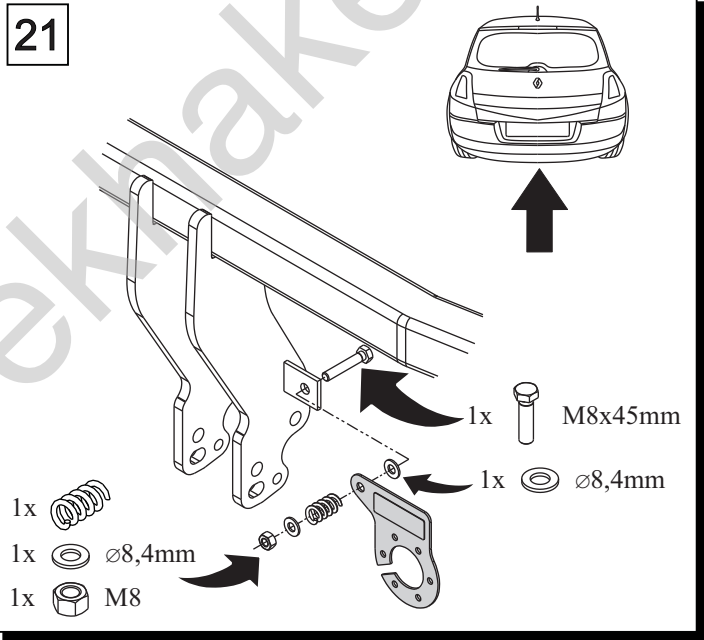
19



20



21



22

