

# PPUH AUTO-HAK Sp.J.

Henryk & Zbigniew Nejman  
ul. Słoneczna 16K 76-200 SŁUPSK  
POLAND

tel/fax +48 059 8-414-414; 8-414-413

e-mail: [office@autohak.com.pl](mailto:office@autohak.com.pl)

[www.autohak.com.pl](http://www.autohak.com.pl)



# AUTO-HAK



## RENAULT LAGUNA II GRANDTOUR kombi

Cat. no:

**G38A**



03.2001 → 08.2007

e20

e20\*94/20\*1095\*00



2h

D

8,26 kN



R=1500 kg



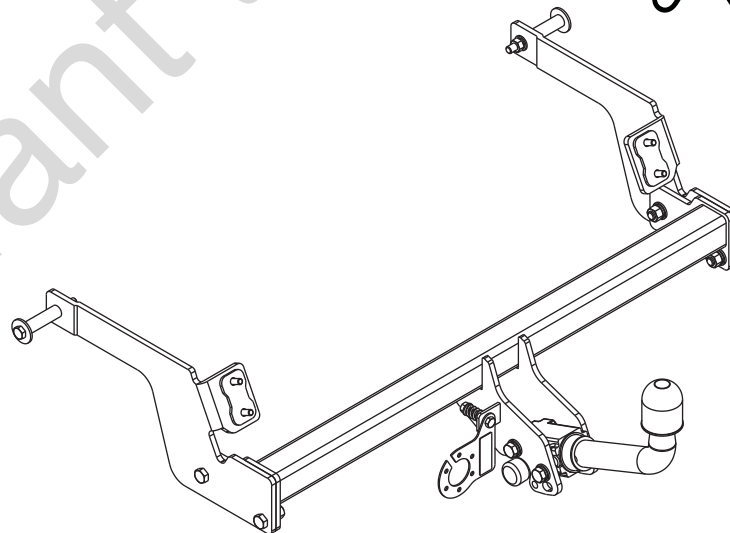
-



S=75 kg



-



M6 - 11 Nm  
M10 - 50 Nm  
M14 - 138 Nm

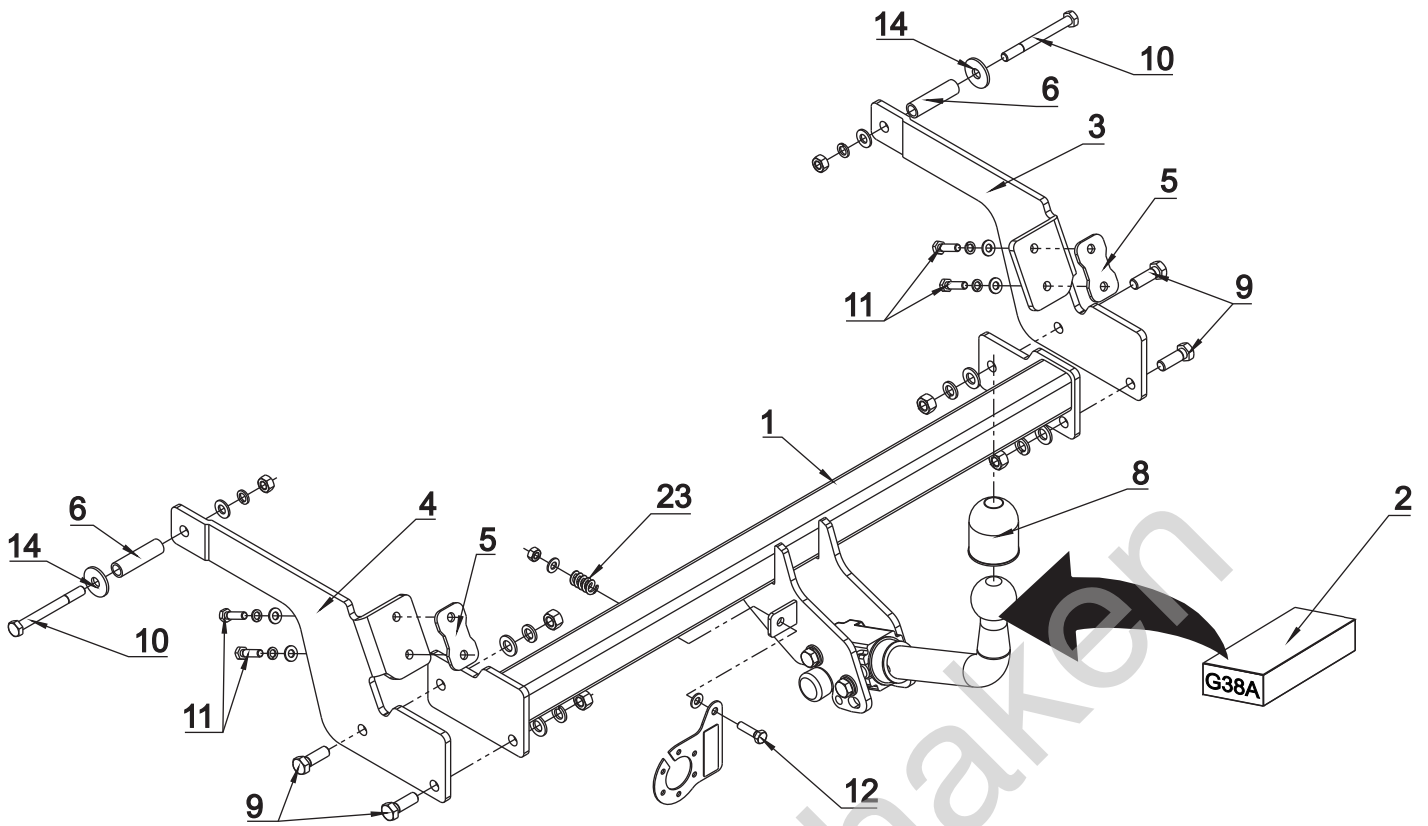
M8 - 25 Nm  
M12 - 87 Nm  
M16 - 210 Nm



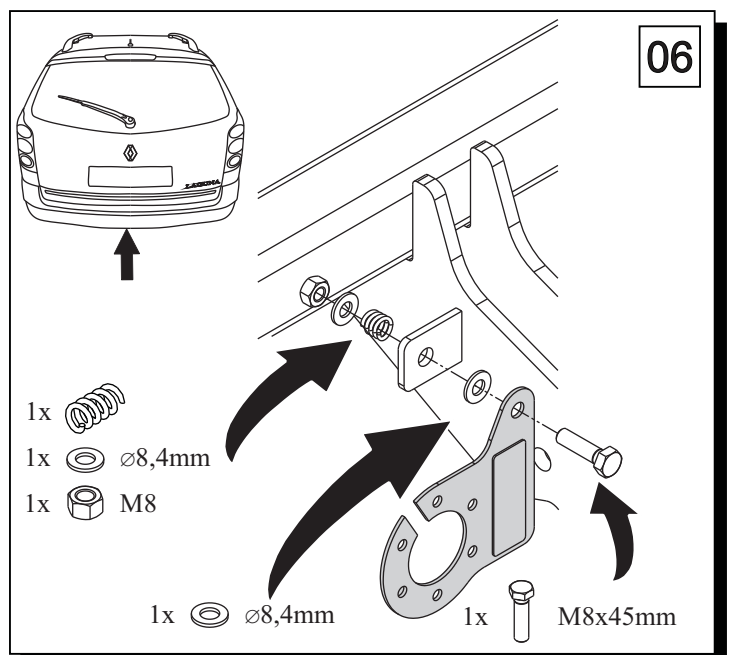
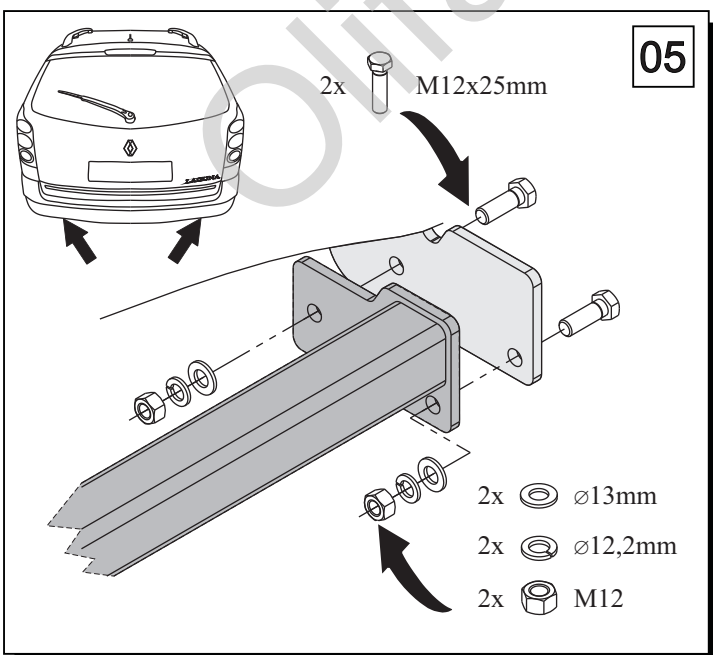
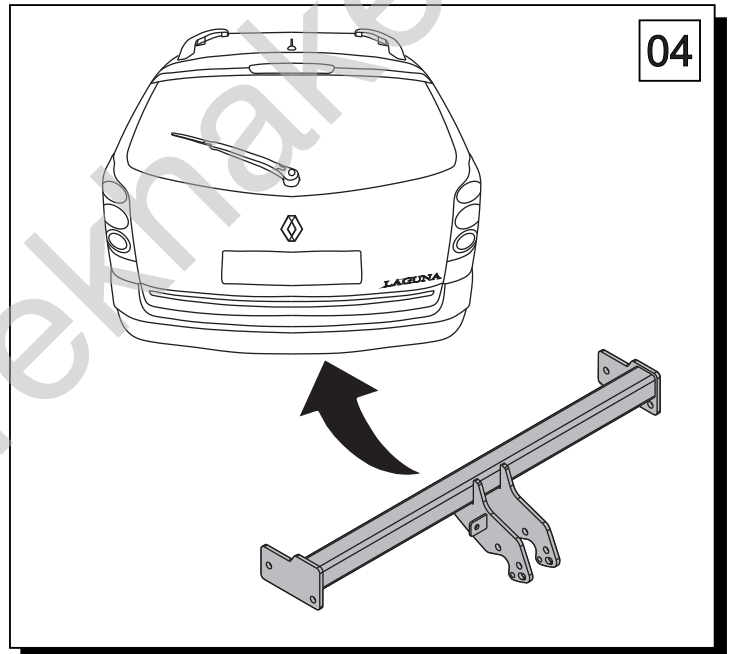
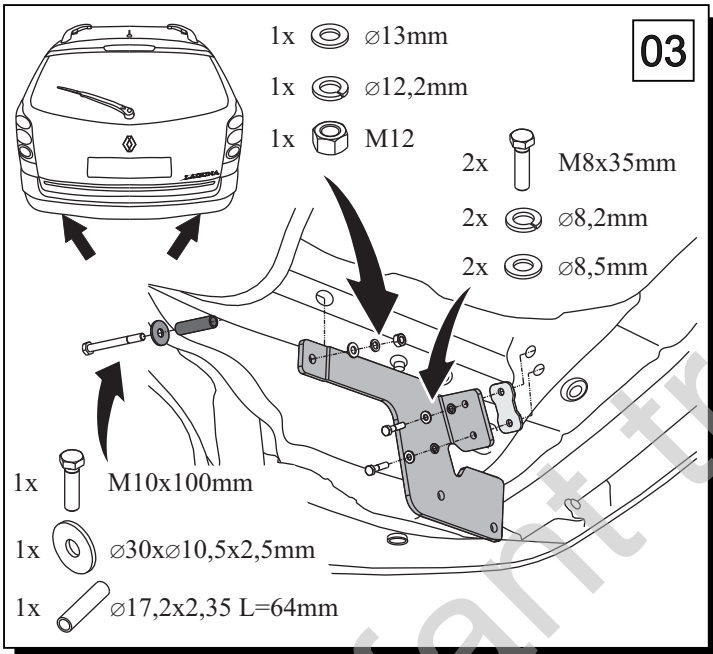
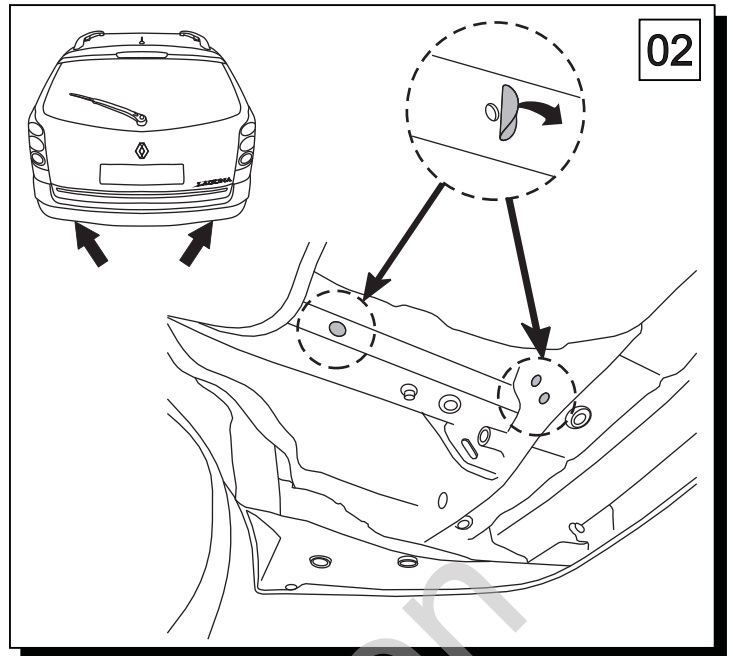
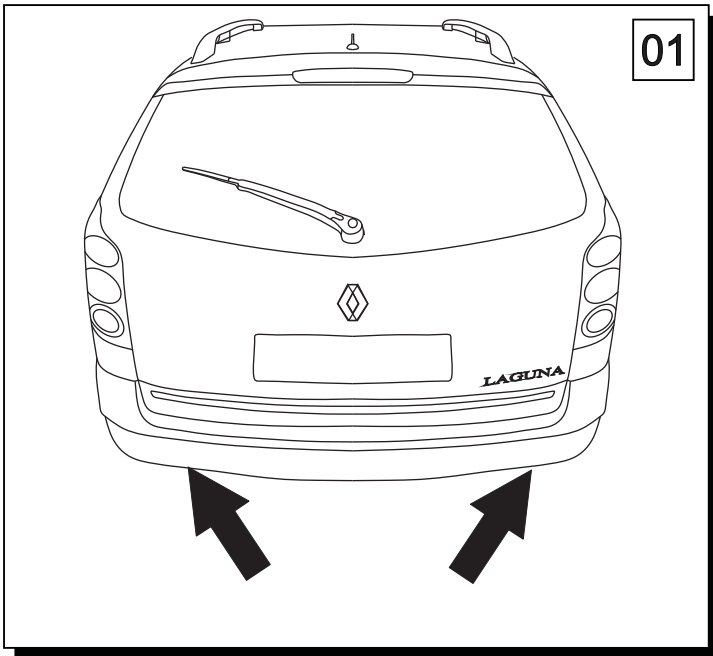
0 km →



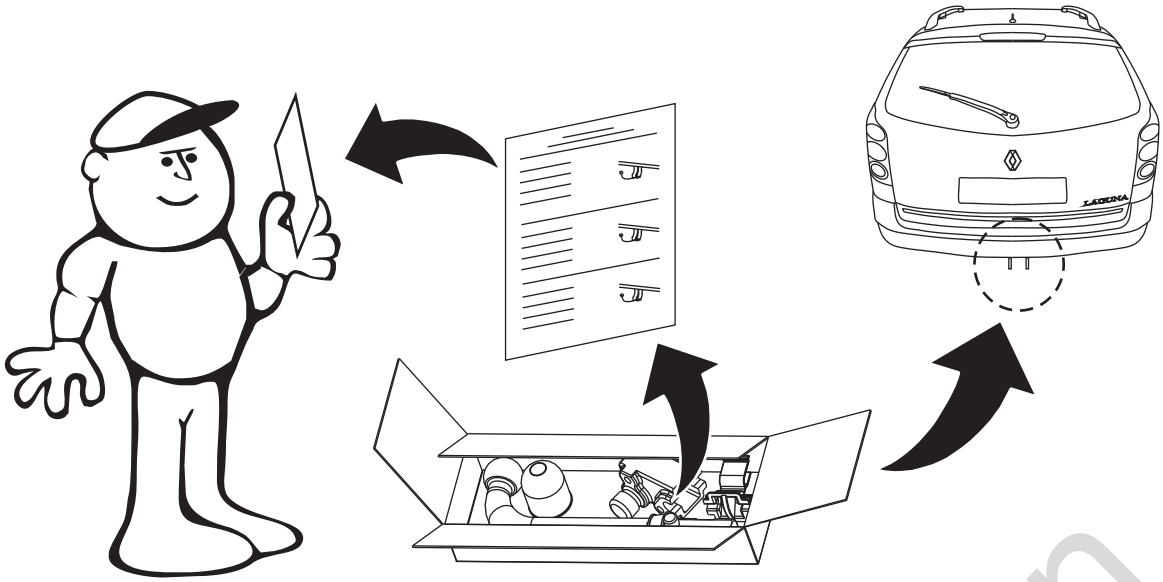
1000 km



1		x1		9	M12x35	x4
				10	M10x100	x2
2	 Art.nr-KL1G38A	x1		11	M8x35	x4
				12	M8x45	x1
3		x1		13	∅ 13	x4
				14	∅ 10x∅10,5x2,5 13 (DIN 9021)	x2
4		x1		15	∅ 10.5	x2
				16	∅ 8.5	x6
5		x2		17	∅ 12.2	x6
				18	∅ 10.2	x2
6	 ∅17,2x2,35mm L=64mm	x2		19	∅ 8.2	x4
				20	M12	x4
7	 Art.nr-BL1G38A	x1		21	M10	x2
				22	M8	x1
8		x1		23		x1



07



Olifant trekhaken