

PPUH AUTO-HAK Sp.J.

Henryk i Zbigniew Nejman
ul. Słoneczna 16K 76-200 SŁUPSK
POLAND

tel/fax +48 59 8 414 414; +48 59 8 414 413

e-mail: office@autohak.com.pl

www.autohak.com.pl



AUTO-HAK

RENAULT MEGANE I GRANDTOUR KOMBI (KA)

Cat. no:

G33A



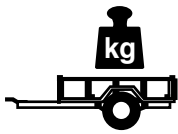
04.1999 → 08.2003



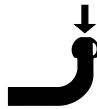
E20-55R-01 1742



7,56 kN



R=1350 kg



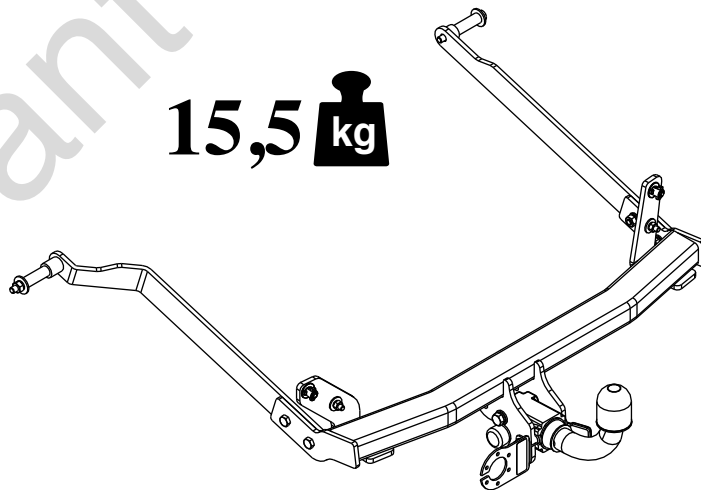
S=75 kg



1,5h



15,5 kg



M6 - 8,5 Nm
M10 - 41 Nm
M14 - 112 Nm

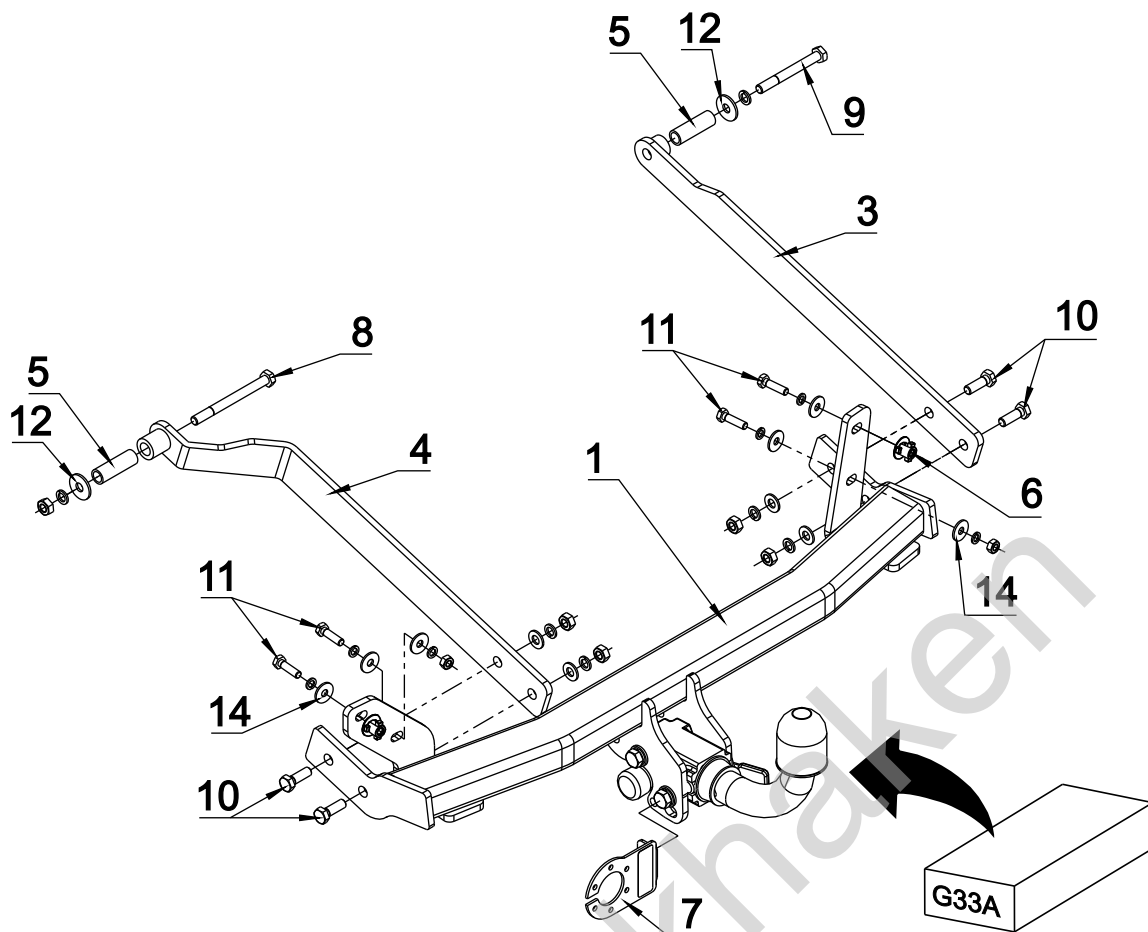
M8 - 20 Nm
M12 - 70 Nm
M16 - 170 Nm

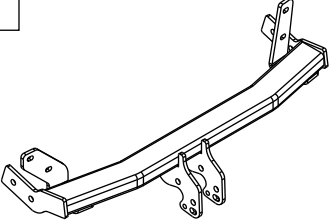





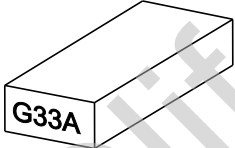
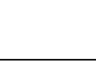



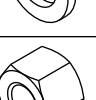
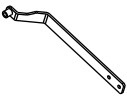
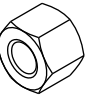

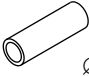

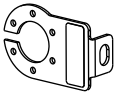


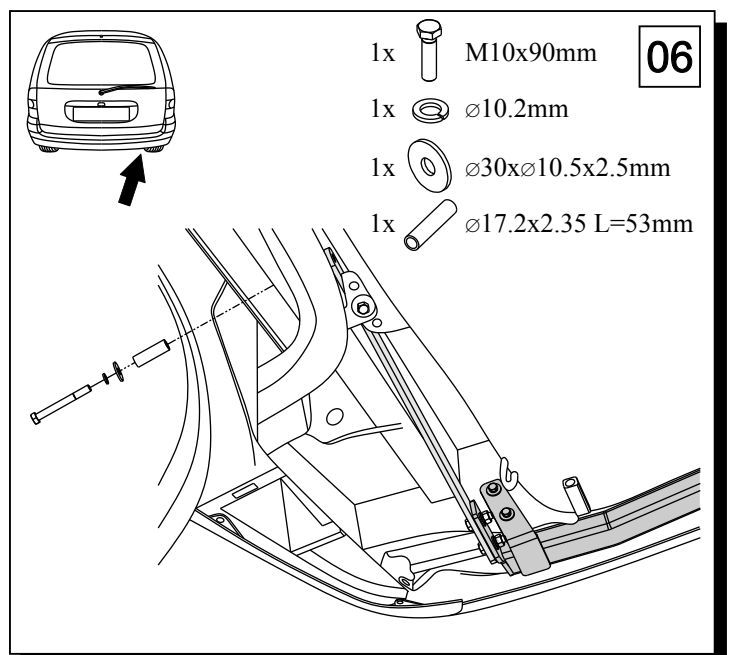
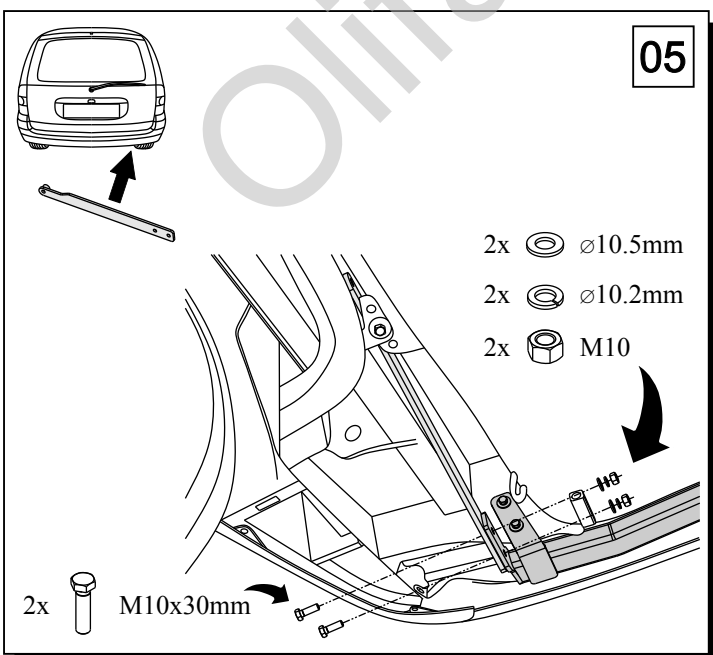
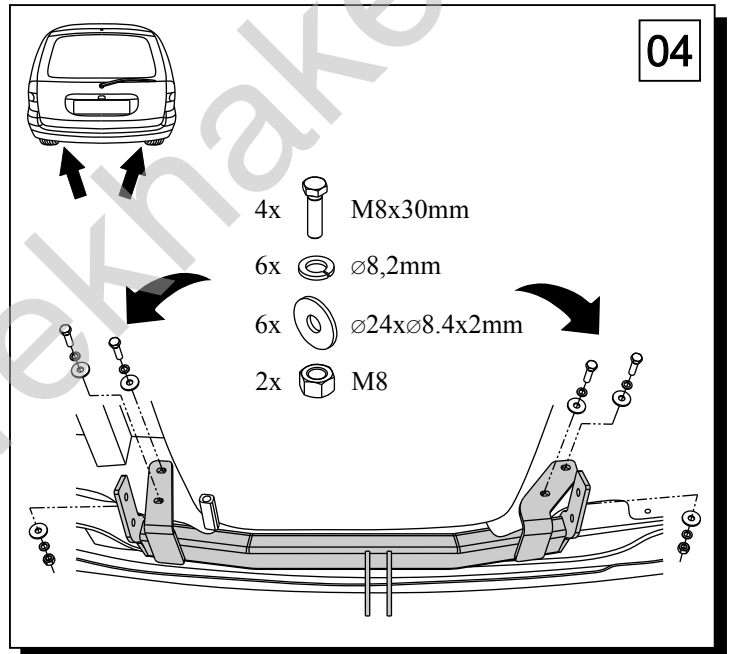
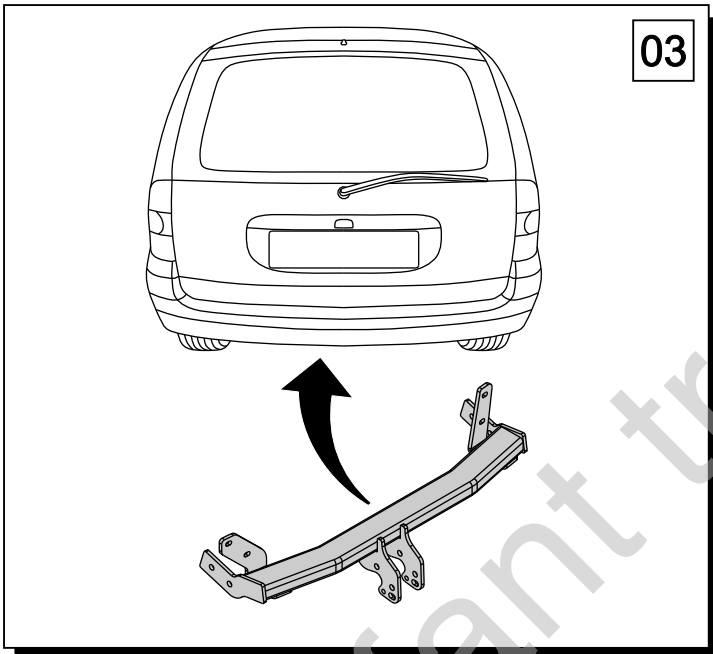
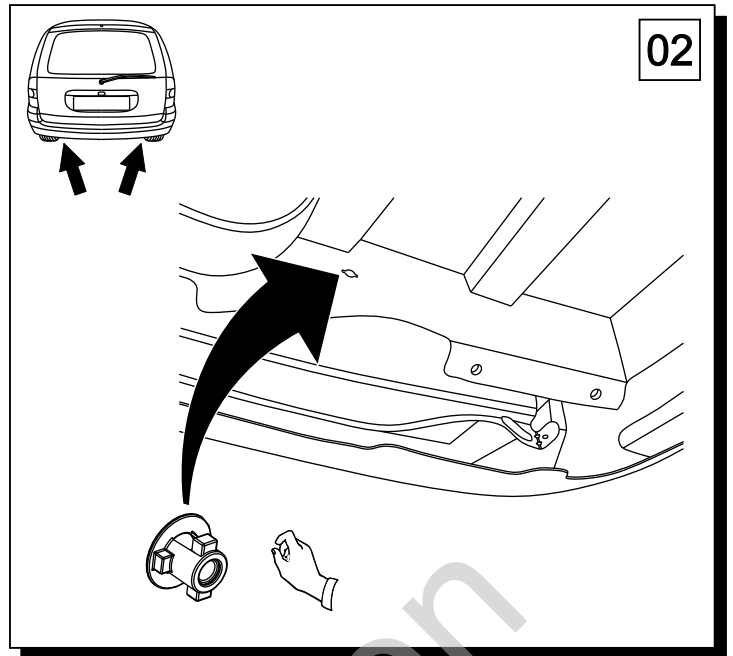
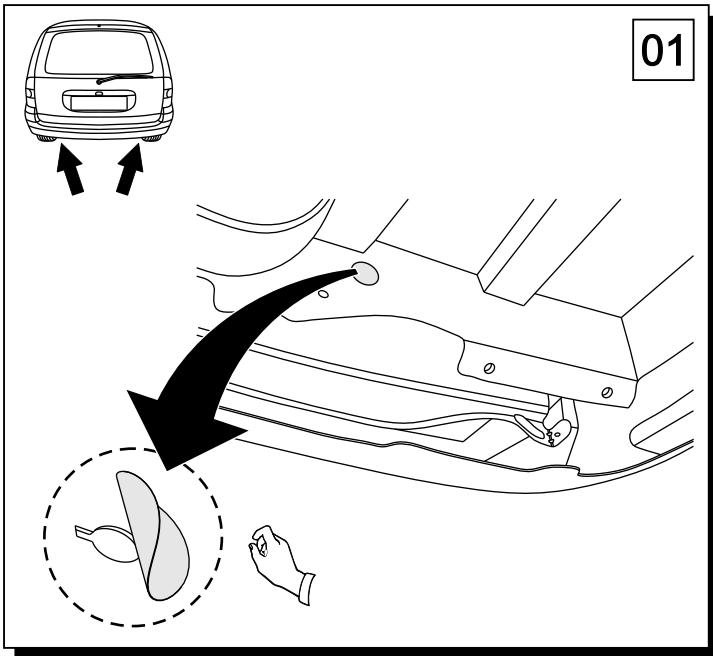
0 km →

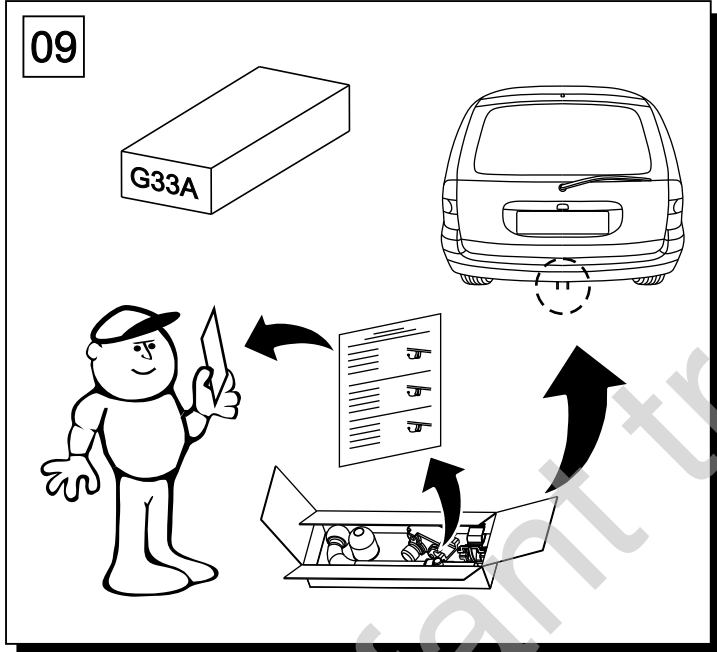
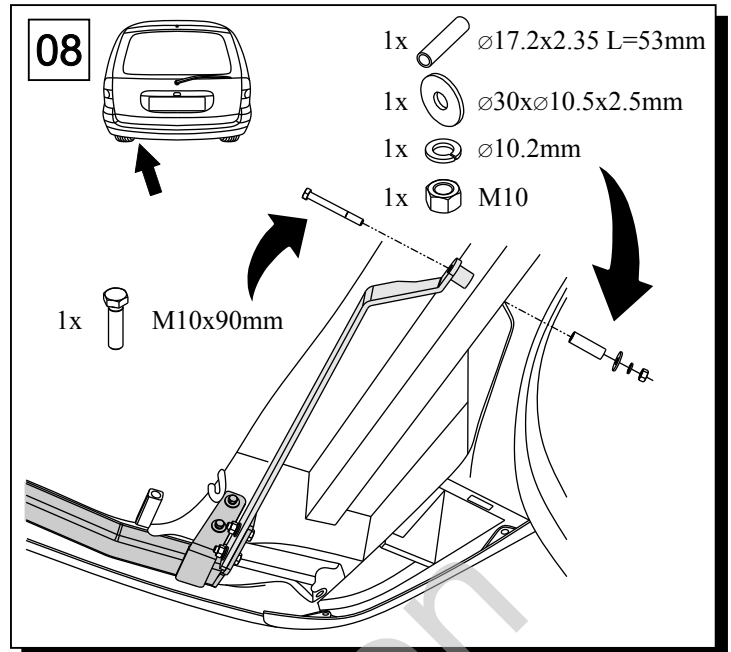
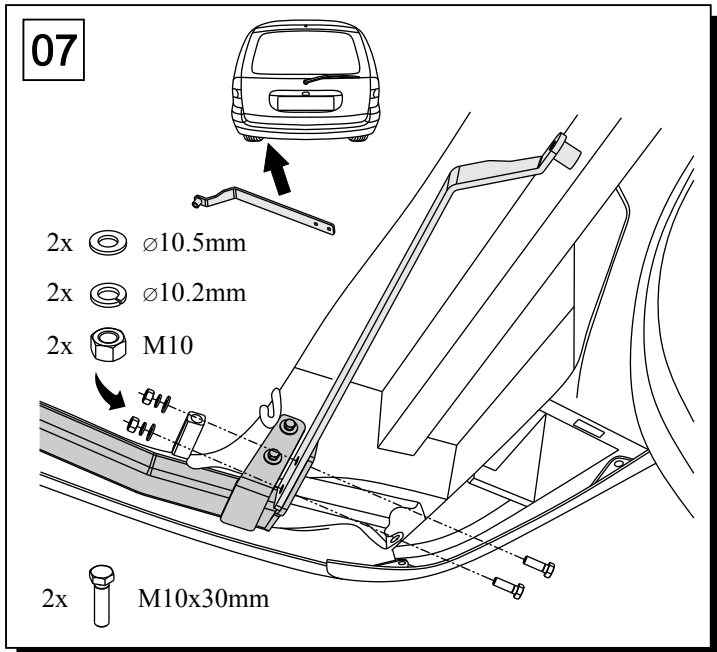


1000 km



1		x 1		8 M 10x110	x 1
				9 M 10x90	x 1
				10 M 10x30	x 4
				11 M 8x30	x 4
				12 \varnothing 30x \varnothing 10.5x2.5 10 DIN 9021	x 2
2		x 1		13 \varnothing 10.5	x 4
	Art.nr-KL1G33A			14 \varnothing 24x \varnothing 8.4x2 8 DIN 9021	x 6
3		x 1		15 \varnothing 10.2	x 6
				16 \varnothing 8.2	x 6
4		x 1		17 M 10	x 5
				18 M 8	x 2
5		x 2		\varnothing 17.2x2.35mm L=53mm	
6		x 2			
7		x 1			
	Art.nr-BL1G33A				





Olitarit trekhakeri