

AUTO-HAK Sp. z o.o.

ul. Słoneczna 16K 76-200 SŁUPSK
POLAND

tel/fax +48 59 8 414 414; +48 59 8 414 413

e-mail: office@autohak.com.pl

www.autohak.com.pl



AUTO-HAK

RENAULT MEGANE SCENIC

5 drz., (JA), ~~4WD~~

01.1997 → 08.1999

RENAULT SCENIC I

5 drz., ~~4WD~~

08.1999 → 09.2000


10.2000 → 06.2003

Nr kat.

G25A

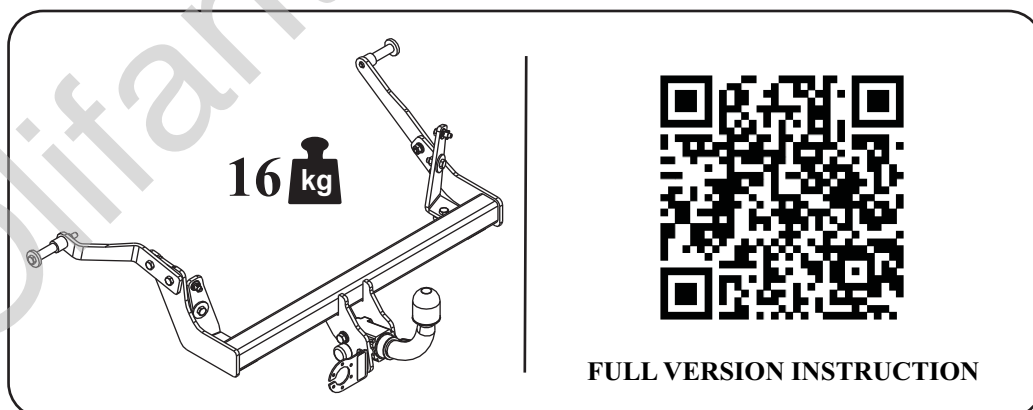
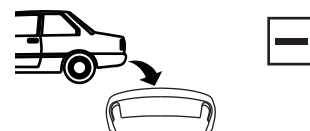
E20 E20-55R-01 4312

D 7,7 kN

 R=1400 kg

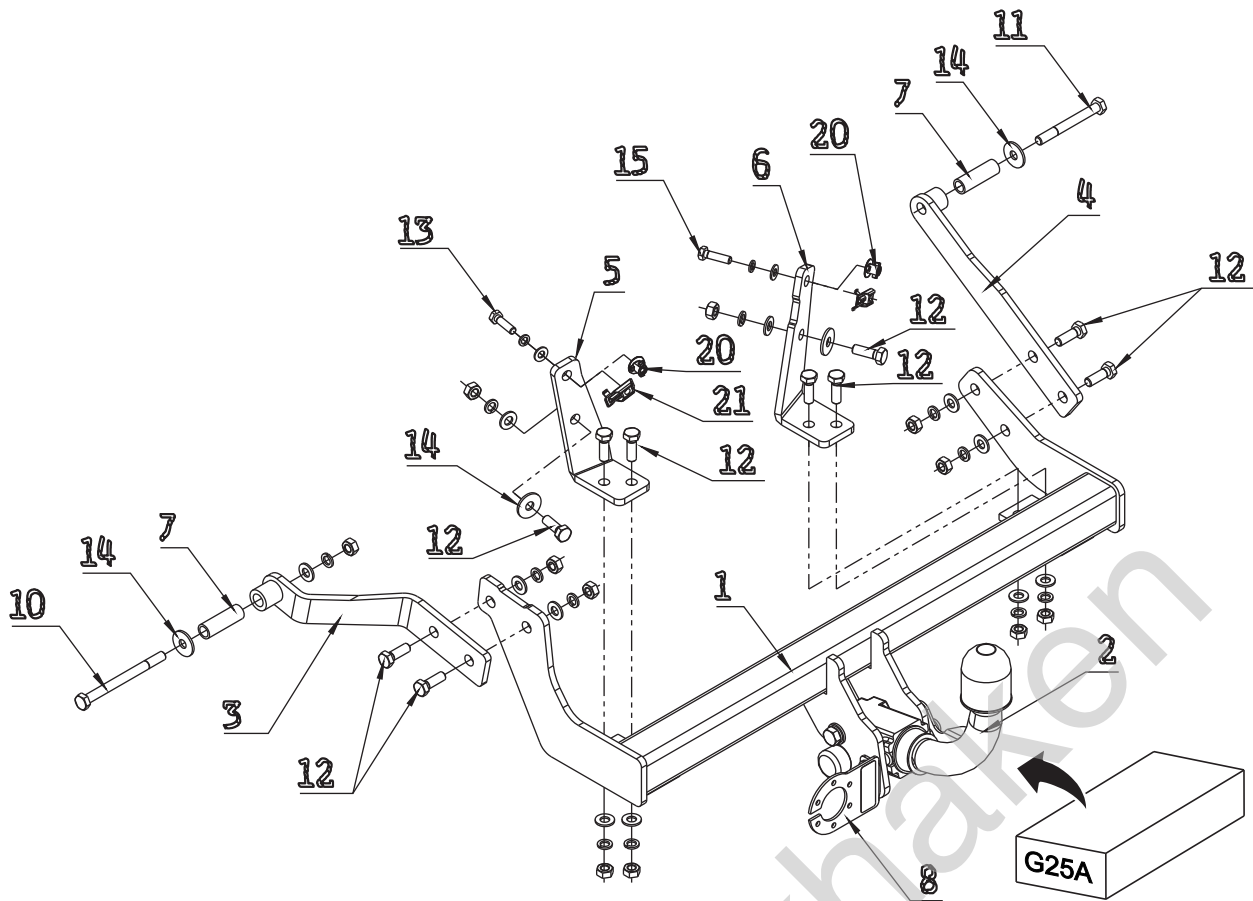
 S=75 kg

 1,5h



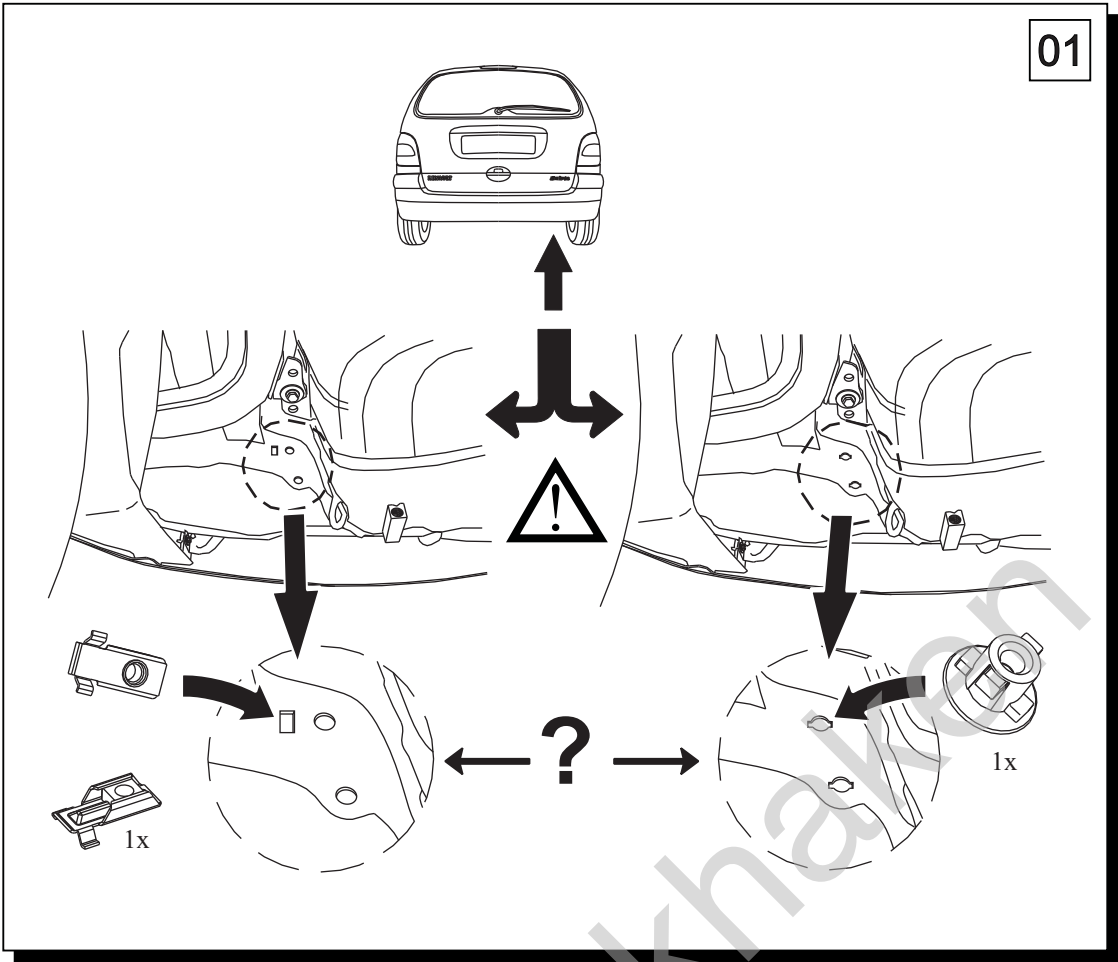
śruba	Nm	M6	M8	M10	M12	M14	M16
klasa 8.8		9,9	24	48	83	132	200
klasa 10.9		14	34	67	117	185	285

 0 km →  1000 km

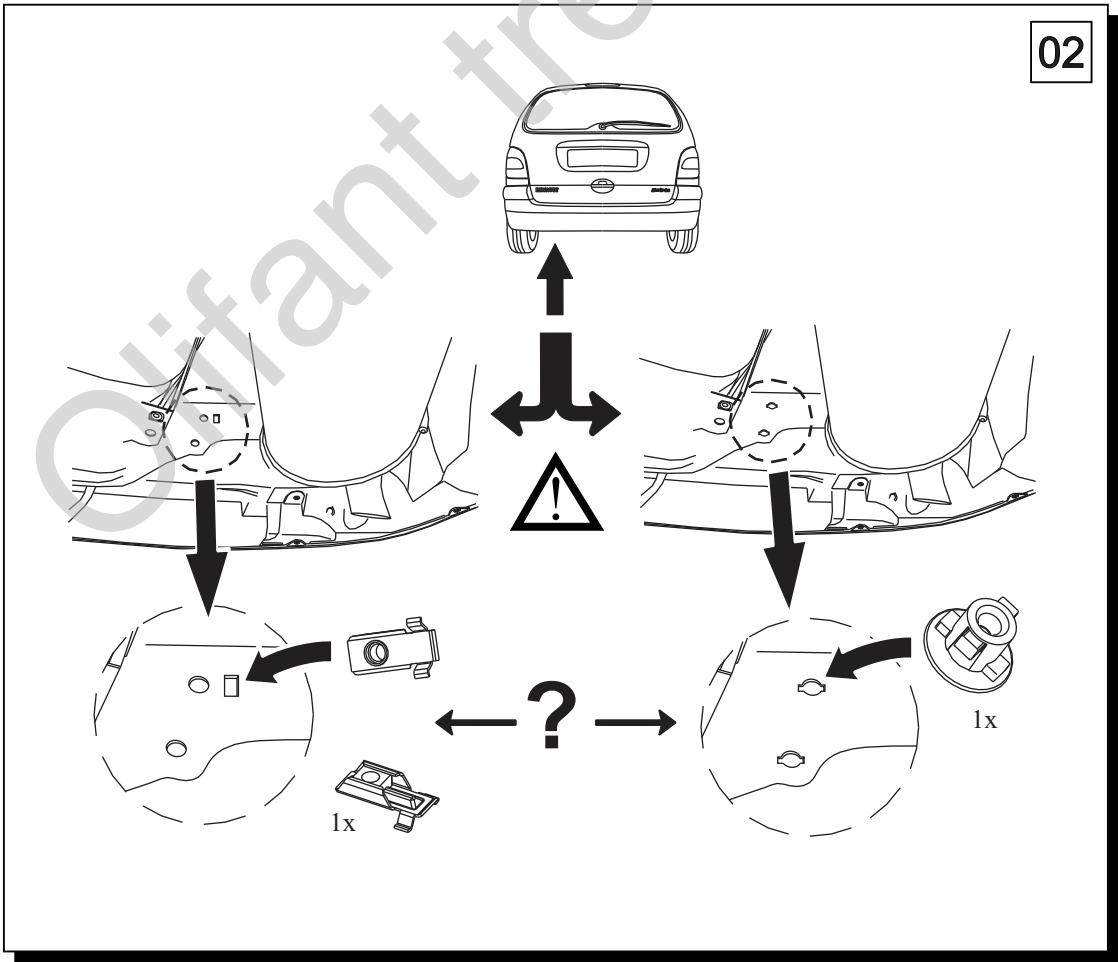


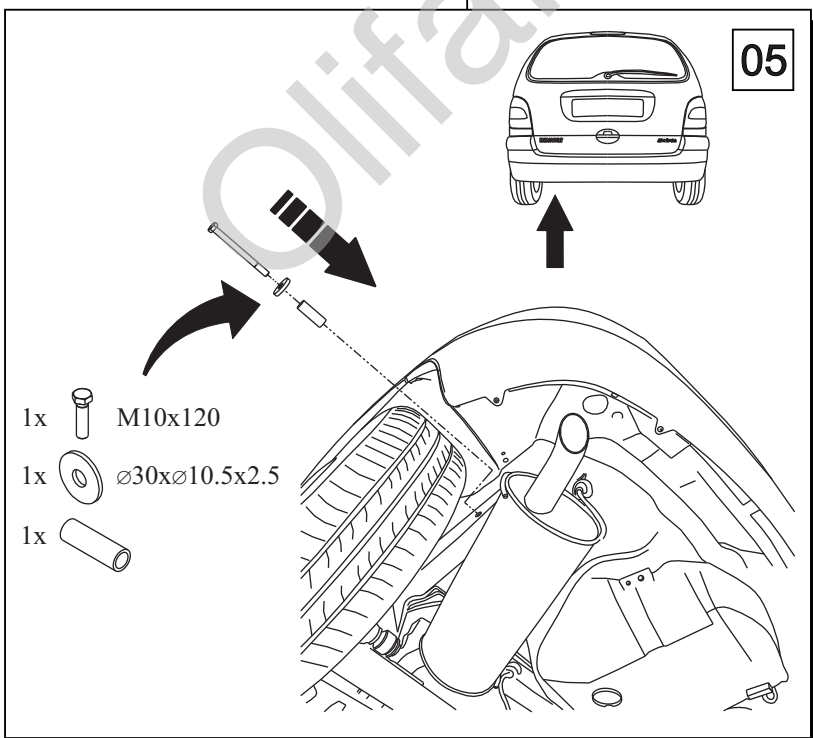
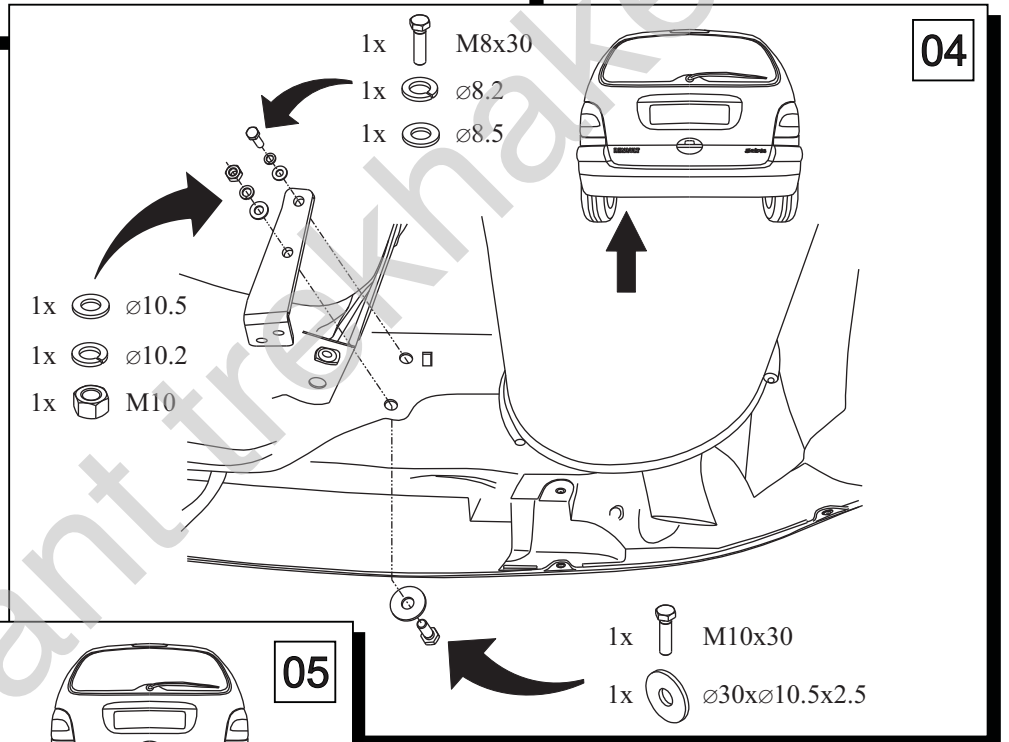
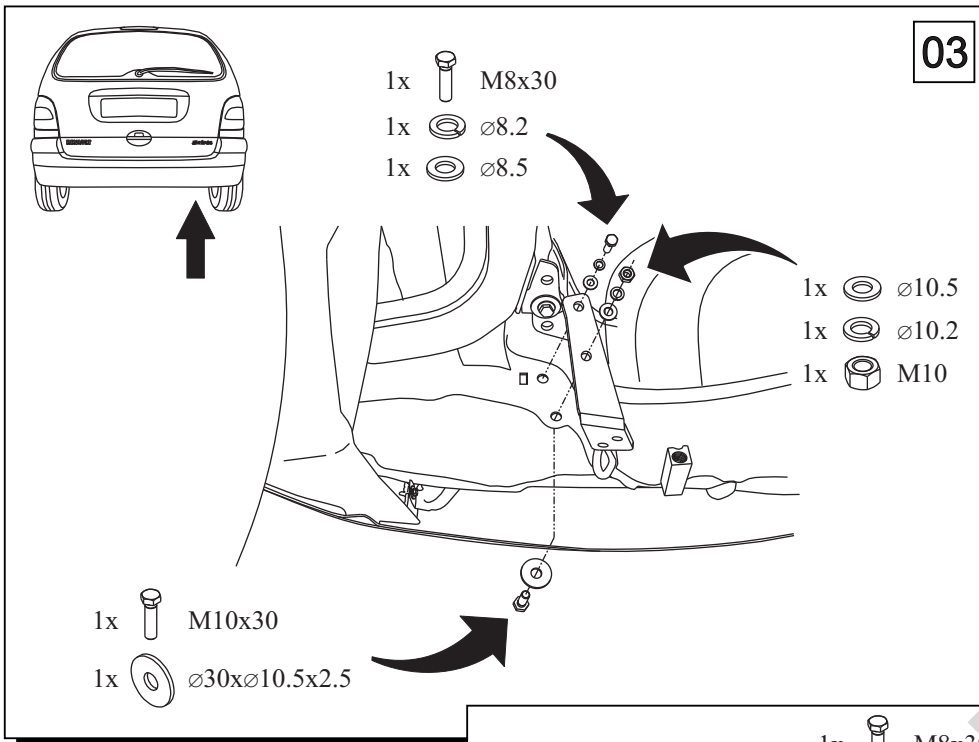
1		x1		10 M10x120	x1
2	 Art.nr-KL1G25A	x1		11 M10x90	x1
				12 M10x30	x10
3		x1		13 M8x30	x2
				14 \varnothing 30x \varnothing 10.5x2.5 10 (DIN 9021)	x4
4		x1		15 \varnothing 10.5	x11
				16 \varnothing 8.5	x2
5		x1		17 \varnothing 10.2	x11
				18 \varnothing 8.2	x2
6		x1		19 M10	x11
				20 M8	x2
7		x2		21 M8	x2
	\varnothing 17.2x2.35, L=53mm				
8	 Art.nr-BL1G25A	x1			
9		x1			

01

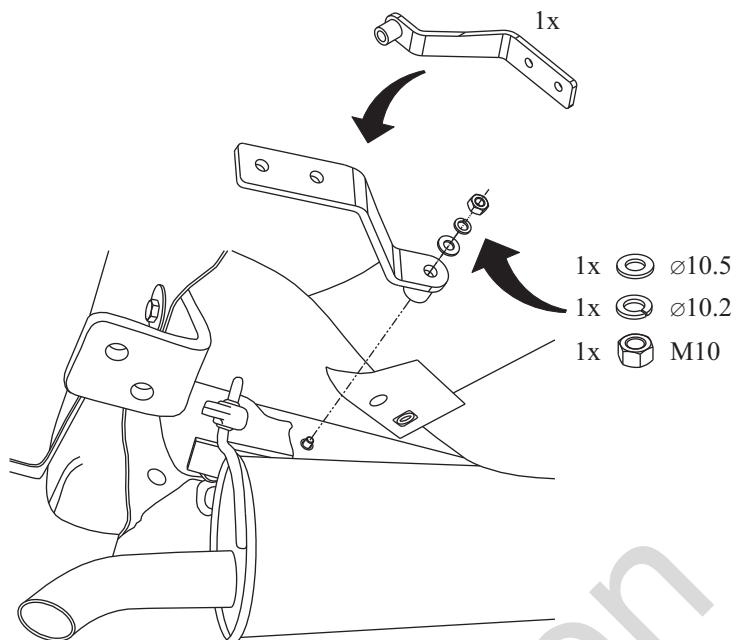
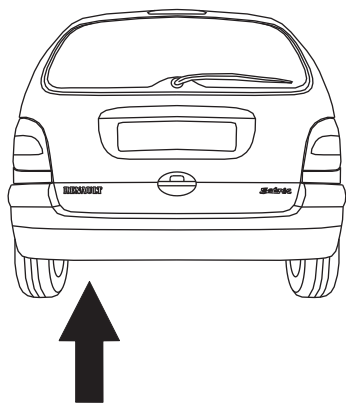


02

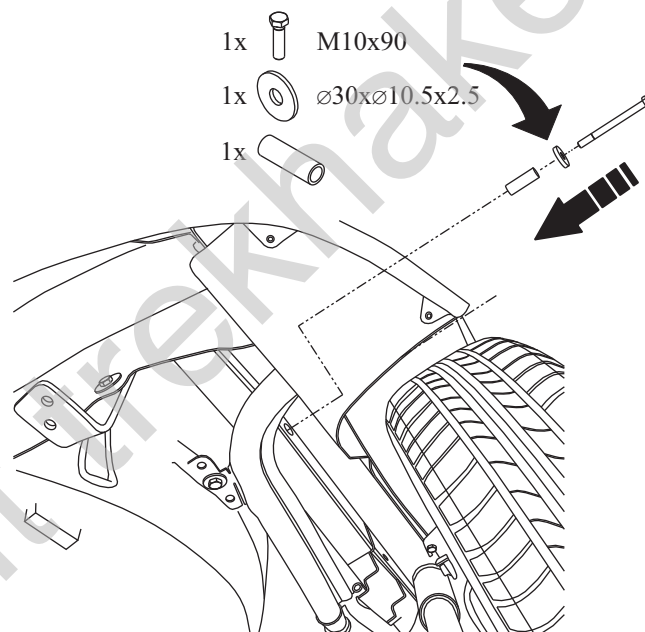
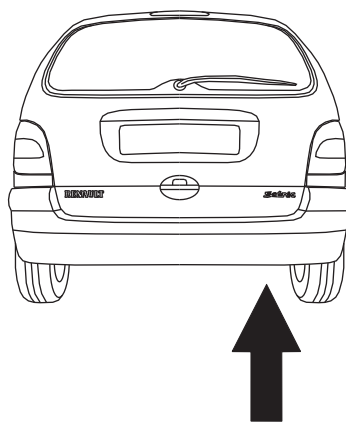




06



07



08

