

AUTO-HAK Sp. z o.o.

ul. Słoneczna 16K 76-200 SŁUPSK
POLAND

tel/fax +48 59 8 414 414; +48 59 8 414 413

e-mail: office@autohak.com.pl

www.autohak.com.pl




AUTO-HAK


RENAULT RAFALE E-Tech Hybrid


Nr kat.
G108V


 2024 →

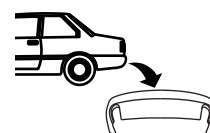
 E20*55R02*6980

D 8,75 kN

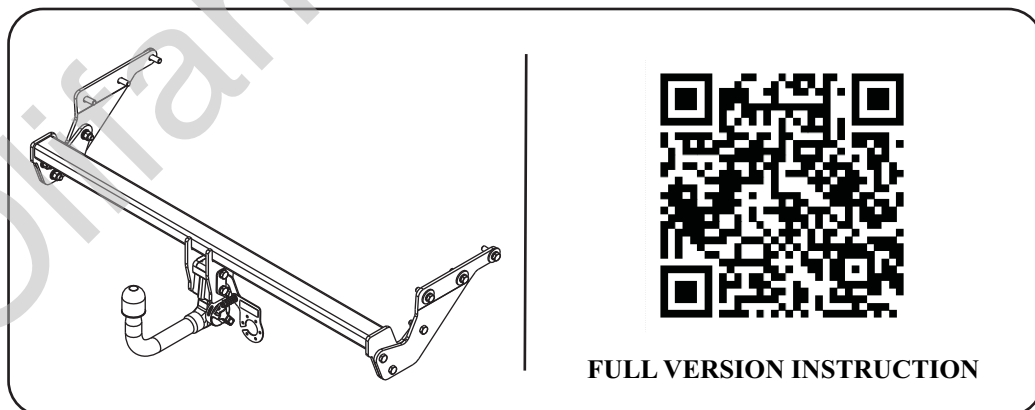
 **R=1500 kg**

 **S=100 kg**

 **2h**





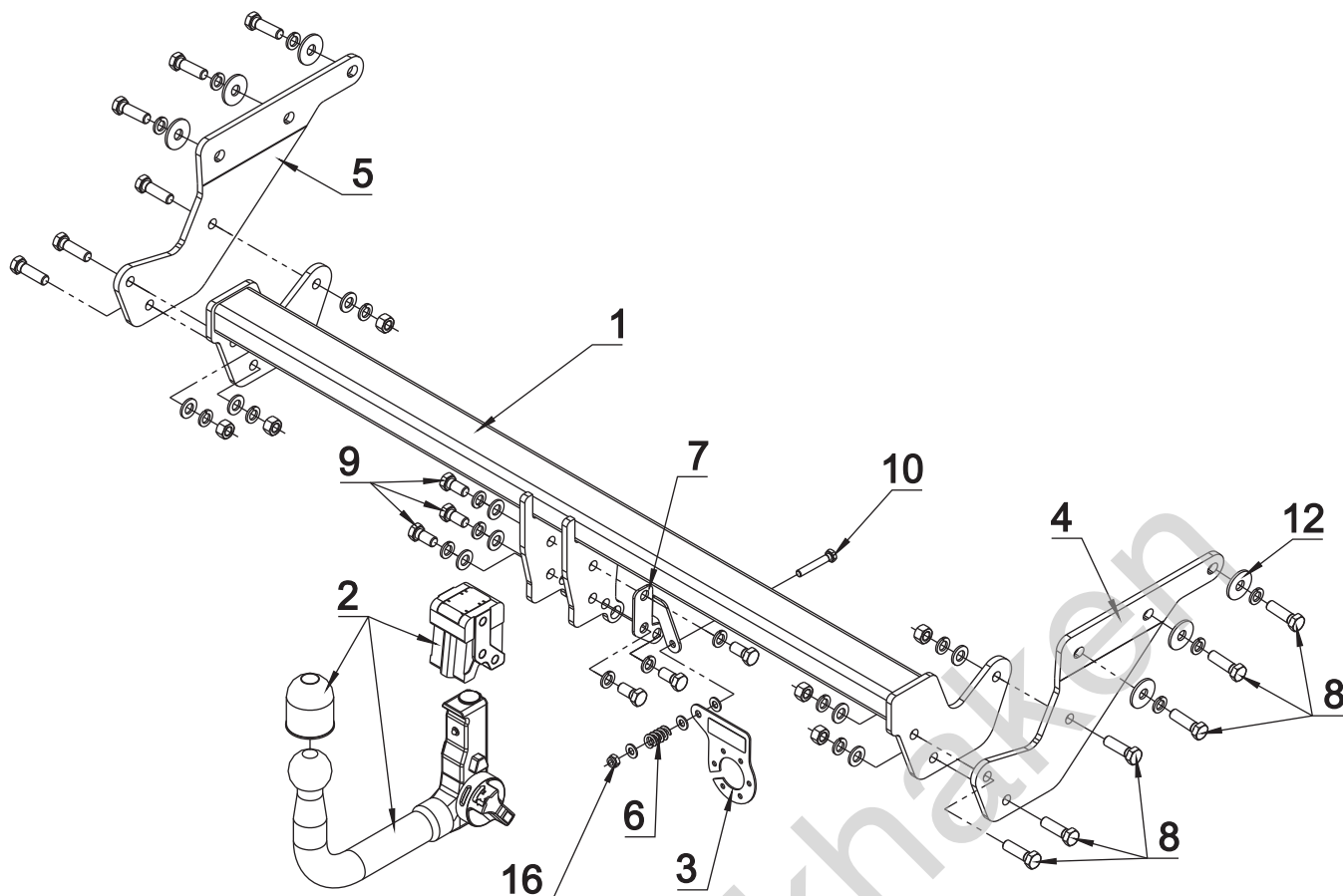


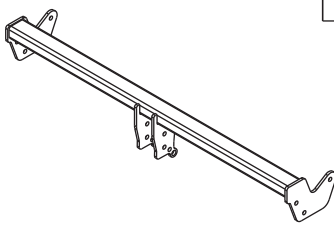







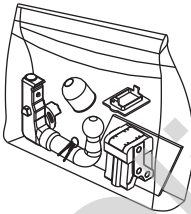

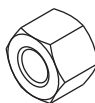



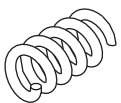
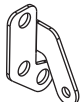
FULL VERSION INSTRUCTION



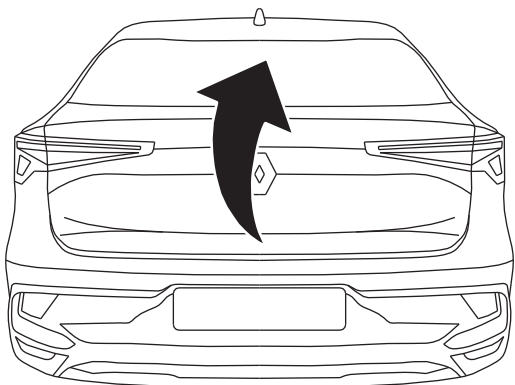
śruba	Nm	M6	M8	M10	M12	M14	M16
klasa 8.8		9,9	24	48	83	132	200
klasa 10.9		14	34	67	117	185	285

 0 km →  1000 km

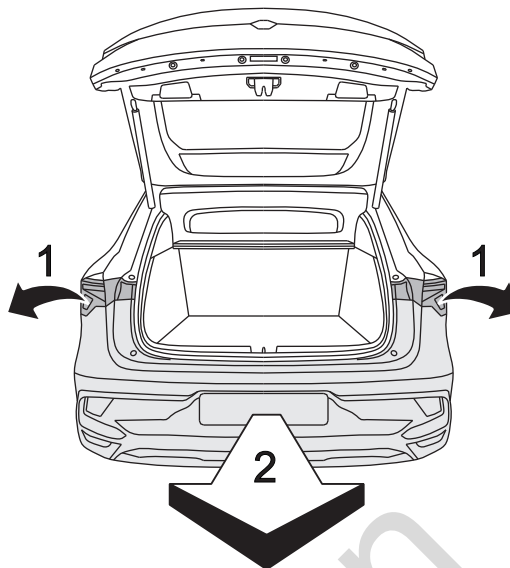


1		x 1		8	M 12x40	x 12
				9	M 12x25	x 6
				10	M 8x50	x 1
				11	∅ 13	x 9
				12	∅ 37x∅13x3	6
				13	∅ 8.4 DIN 9021	x 3
				14	∅ 12.2	x 18
2		x 1				
						Art.nr-KL1G108V
3		x 1		15	M 12	x 6
						Art.nr-BL12G108V
4		x 1		16	M 8 (DIN985)	x 1
5		x 1				
6		x 1				
7		x 1				

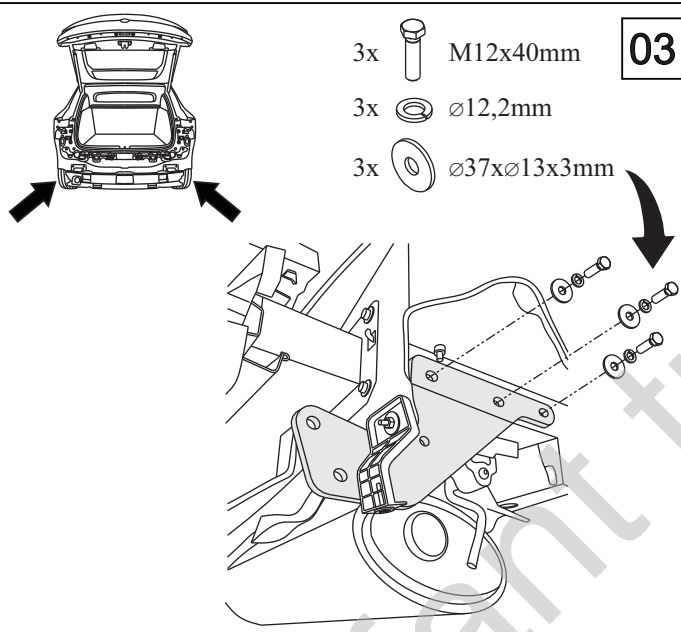
01



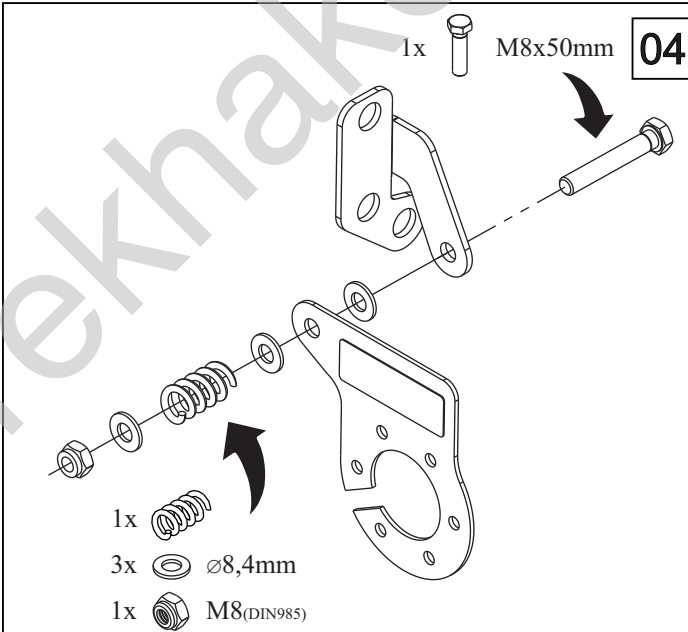
02



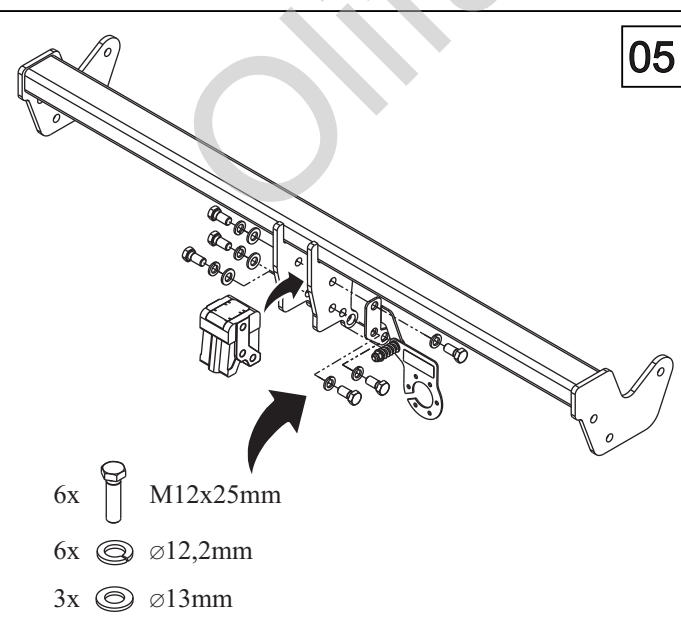
03



04



05



06

