

AUTO-HAK Sp. z o.o.

ul. Słoneczna 16K 76-200 SŁUPSK
POLAND

tel/fax +48 59 8 414 414; +48 59 8 414 413

e-mail: office@autohak.com.pl

www.autohak.com.pl




AUTO-HAK

RENAULT RAFALE E-Tech Hybrid


Nr kat.


G108

 2024 →

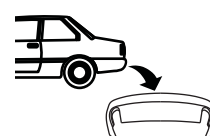
 E20*55R02*6978

D 8,75 kN

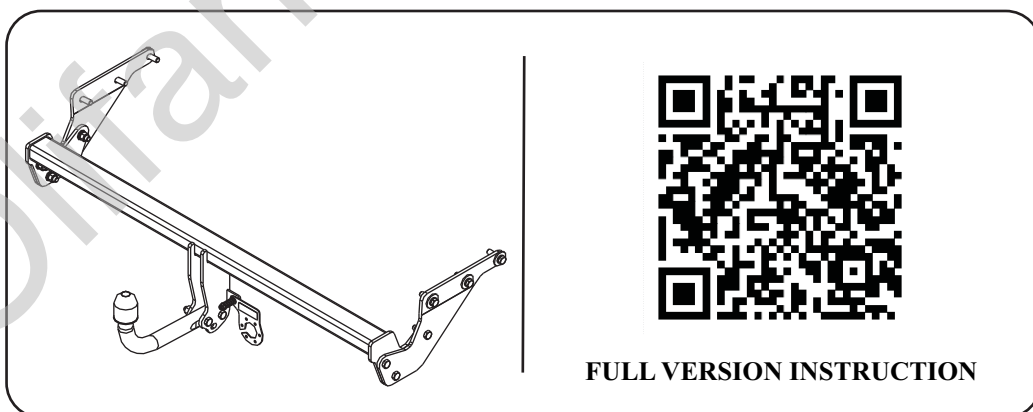
 **R=1500 kg**

 **S=100 kg**

 2h






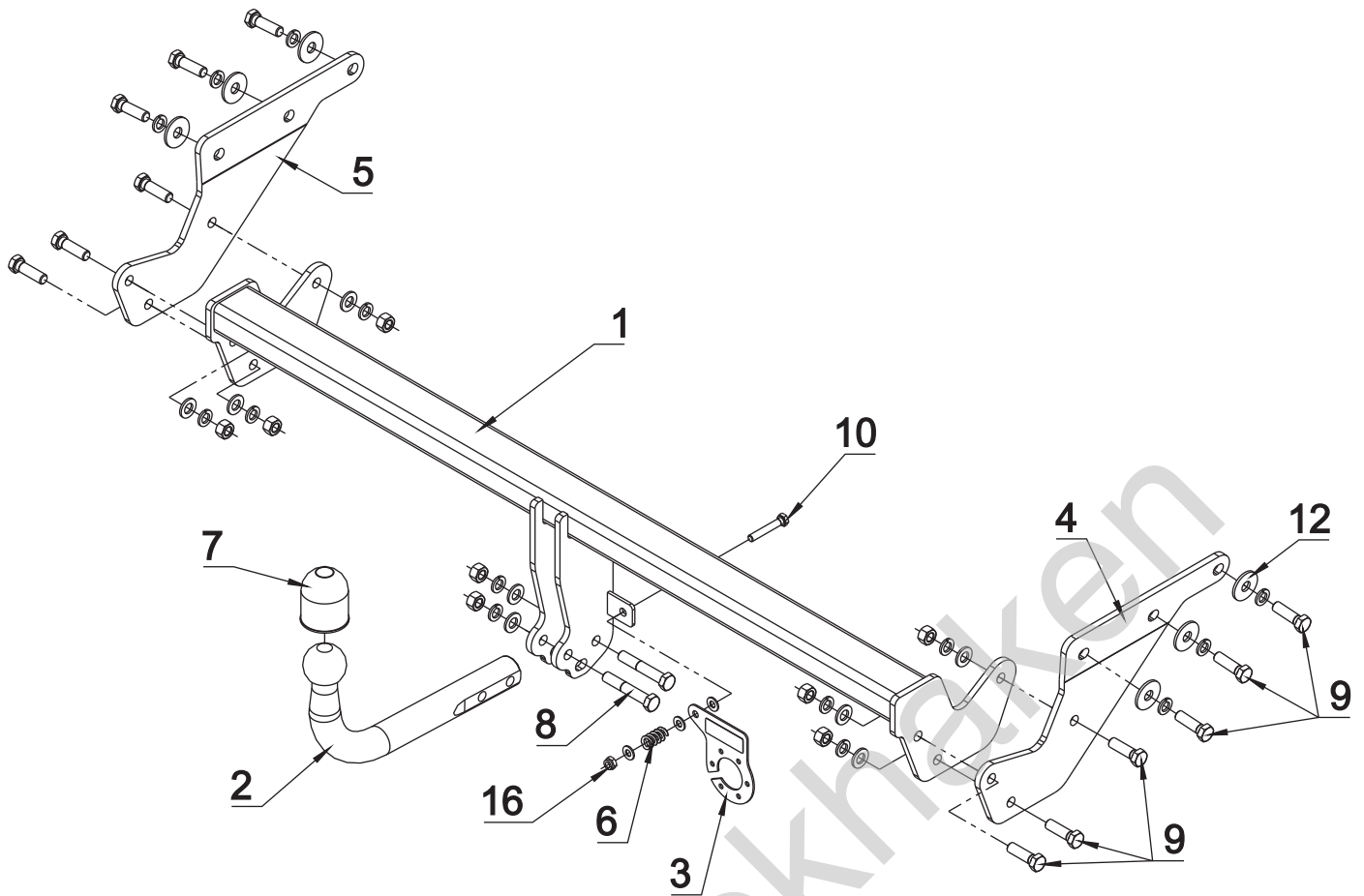


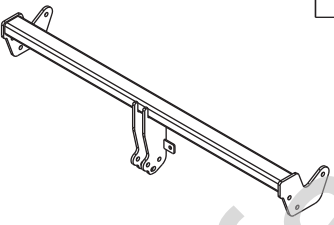


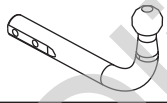



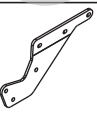


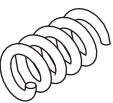

FULL VERSION INSTRUCTION



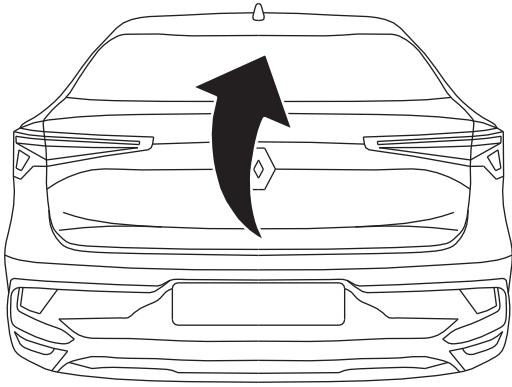
śruba	Nm	M6	M8	M10	M12	M14	M16
klasa 8.8		9,9	24	48	83	132	200
klasa 10.9		14	34	67	117	185	285

 0 km →  1000 km

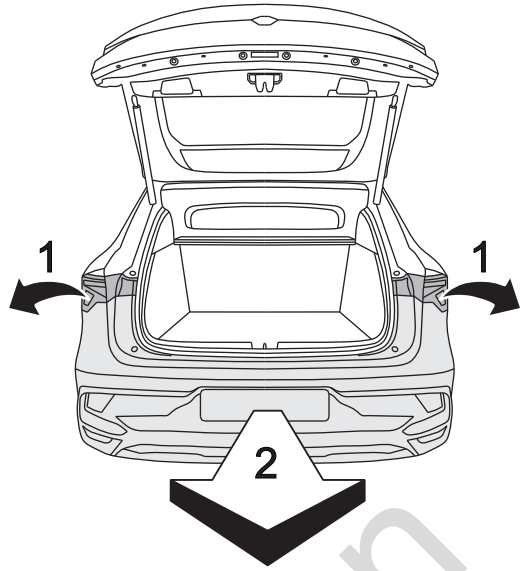


1		x1		8	M12x70	x2
				9	M12x40	x12
				10	M8x50	x1
				11	∅ 13	x8
				12	∅ 37x∅13x3	6
				13	DIN 9021	
				14	∅ 8.4	x3
				15	∅ 12.2	x14
2		x1		16	M12	x8
	Art.nr-KL1G108					
3		x1				
	Art.nr-BL12G108					
4		x1				
5		x1				
6		x1				
7		x1				

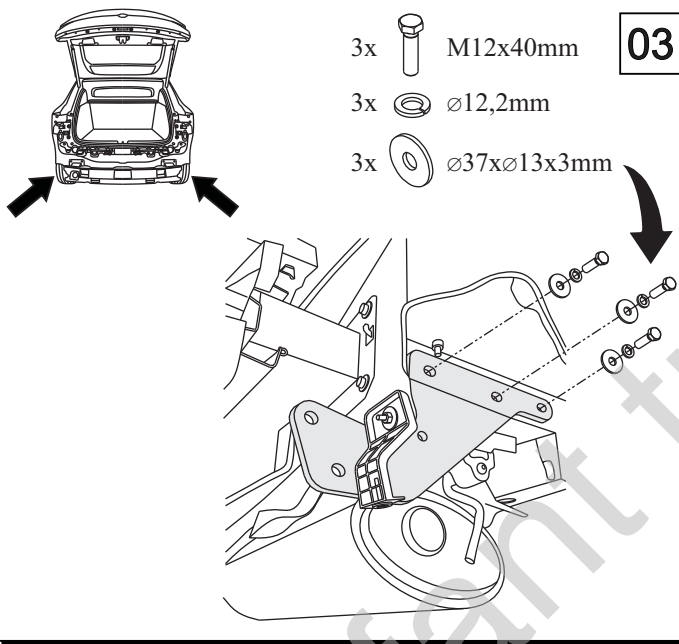
01



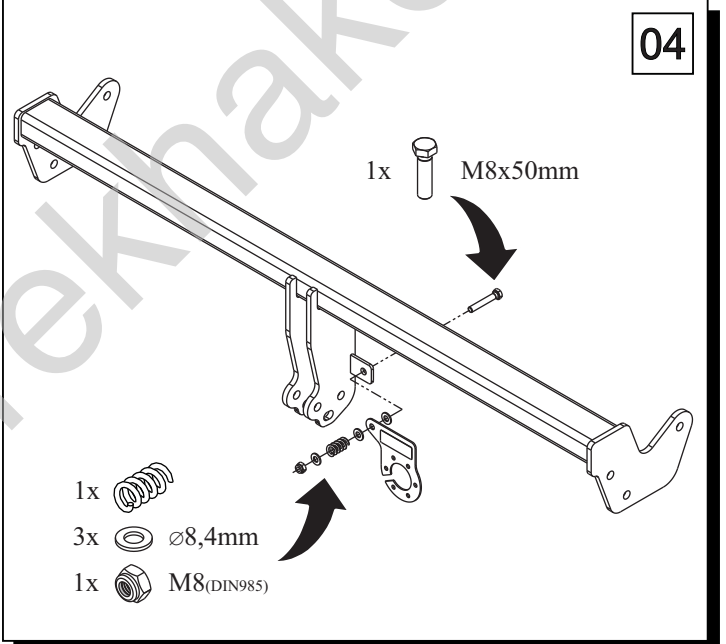
02



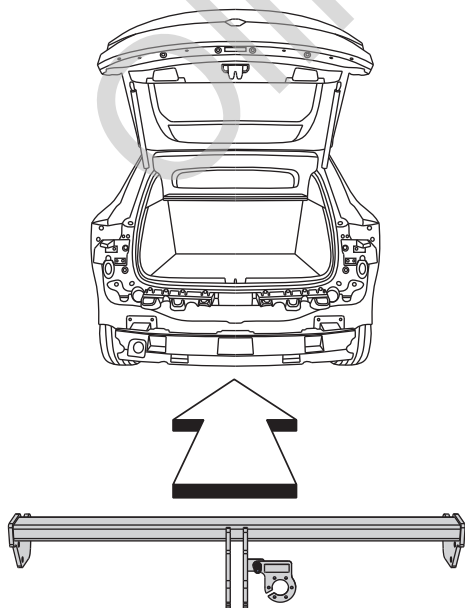
03



04



05



06

