

AUTO-HAK

AUTO-HAK Sp. z o.o.

ul. Słoneczna 16K 76-200 SŁUPSK

POLAND

tel/fax +48 59 8 414 414; +48 59 8 414 413

e-mail: office@autohak.com.pl


www.autohak.com.pl




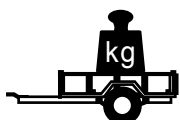
RENAULT
Symbioz

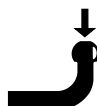
Nr kat.
G107V


 2024 →

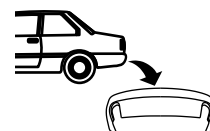
 E20*55R02*6972

 6,5 kN


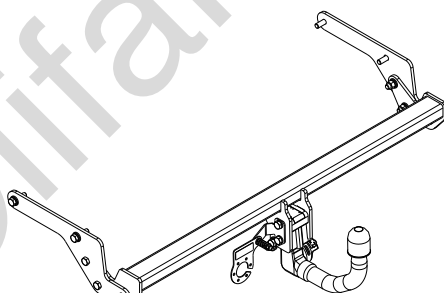
 R=1000 kg

 S=100 kg

 1h







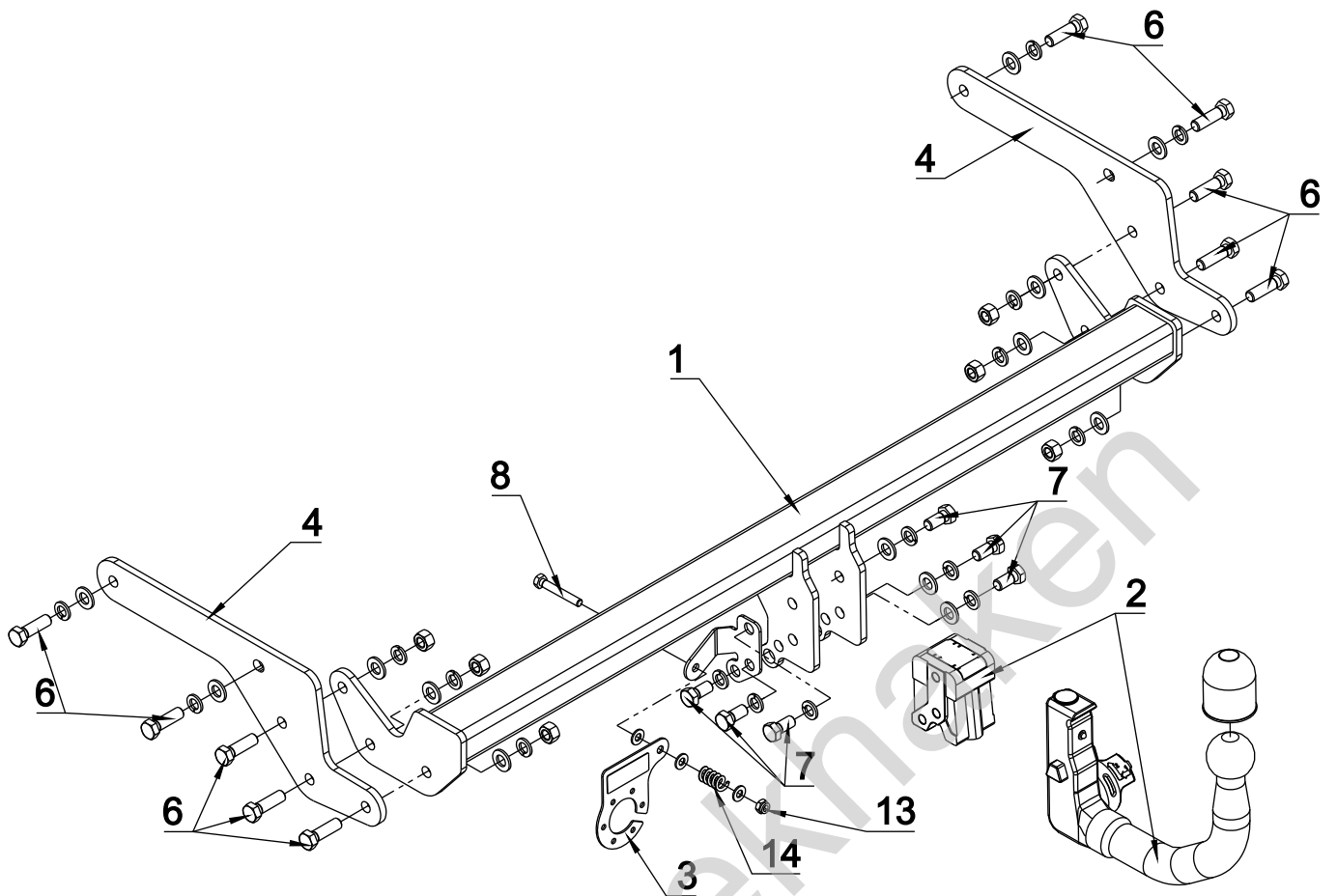


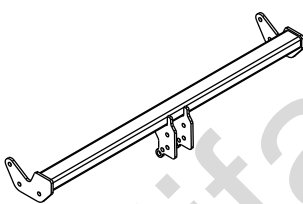
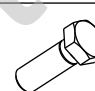




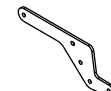
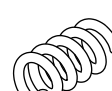

FULL VERSION INSTRUCTION

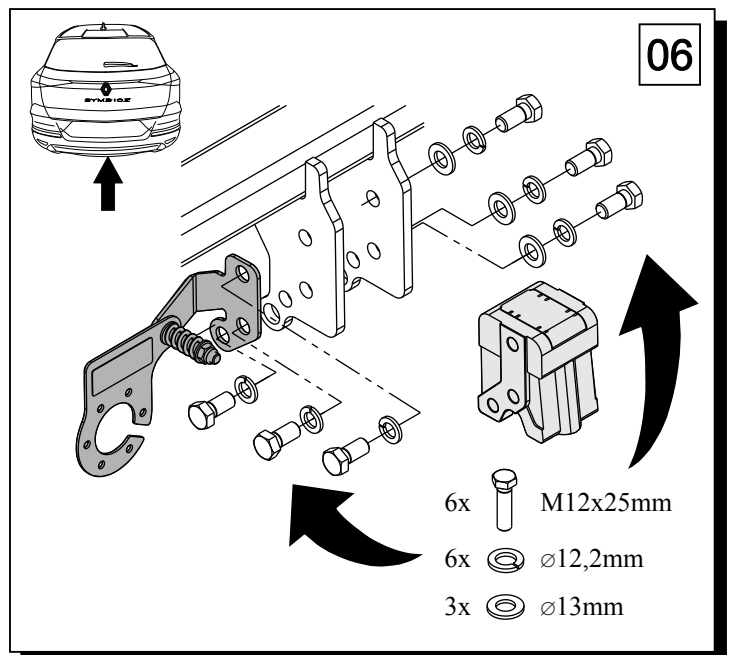
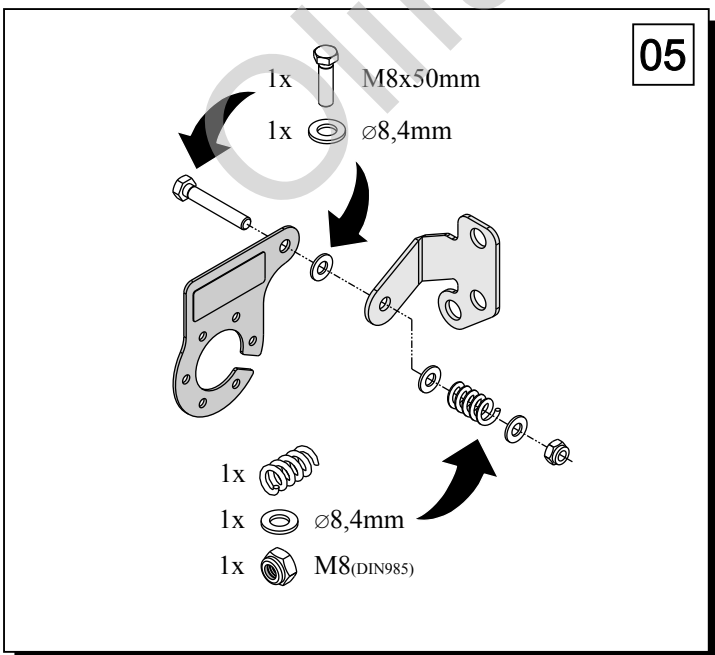
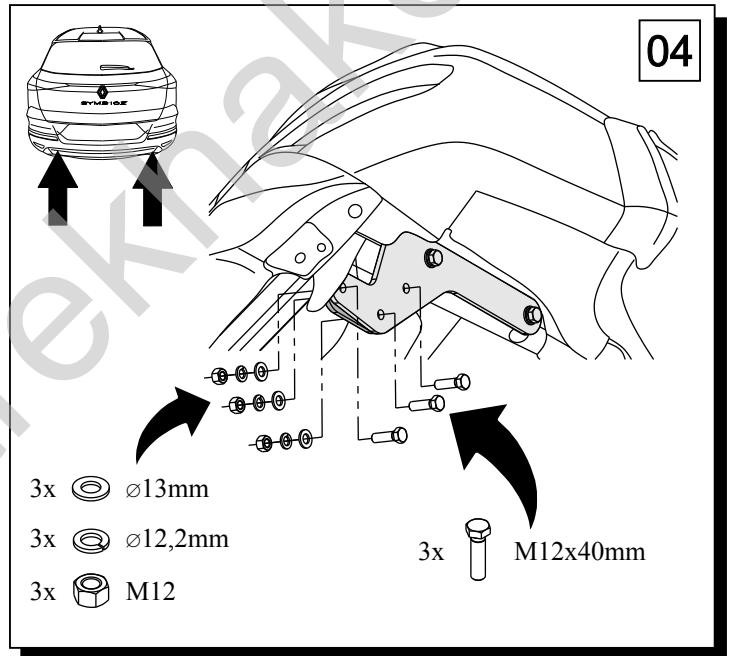
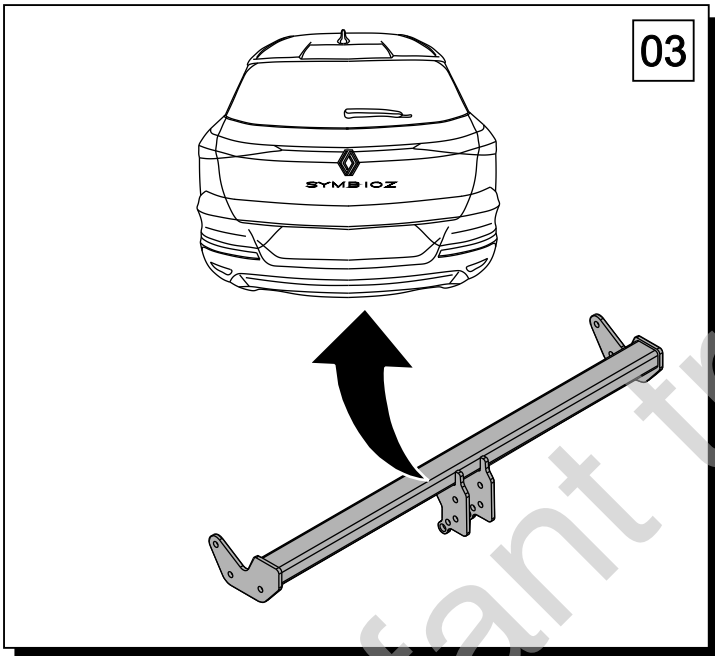
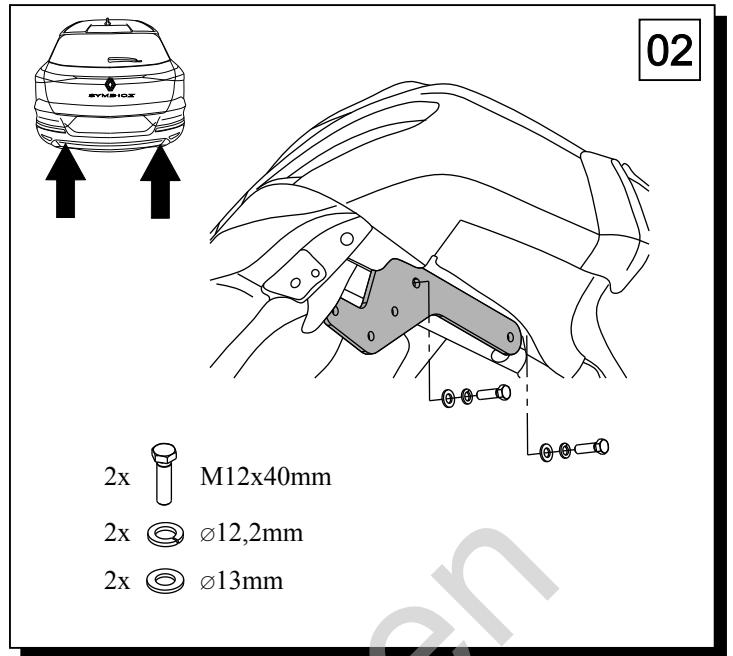
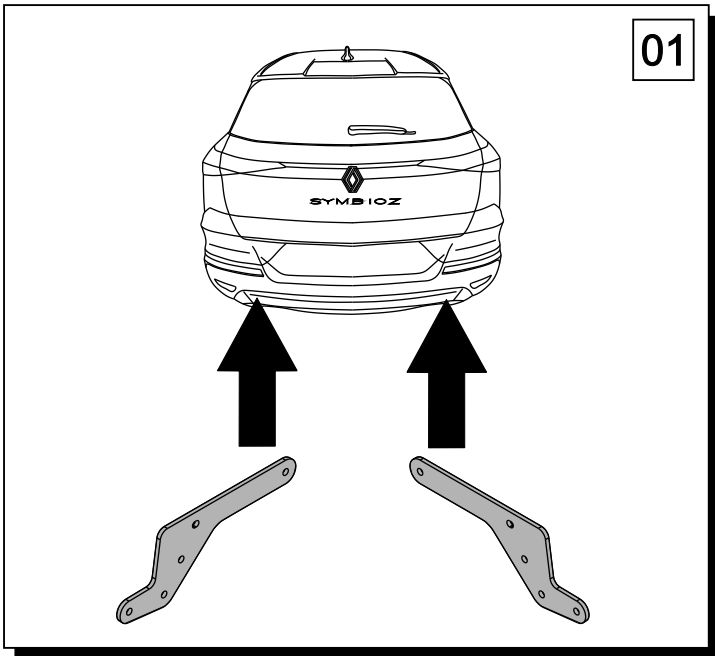


śruba	Nm	M6	M8	M10	M12	M14	M16
klasa 8.8		9,9	24	48	83	132	200
klasa 10.9		14	34	67	117	185	285

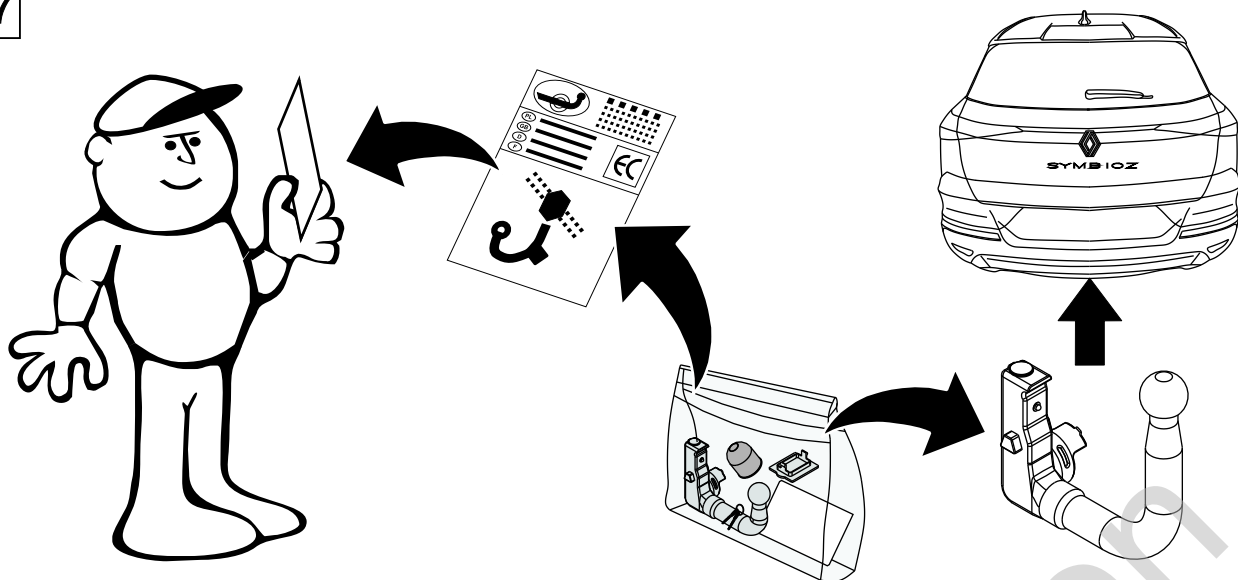
 0 km →  1000 km



1		x1		6	M12x40	x10
				7	M12x25	x6
				8	M8x50	x1
				9	∅ 13	x13
				10	∅ 8.4	x3
2		x1		11	∅ 12.2	x16
				12	M12	x6
				13	M8 (DIN985)	x1
3		x1				
4		x2	14		x1	
5		x1				



07



Olifant trekhakeri