

AUTO-HAK

AUTO-HAK Sp. z o.o.

ul. Słoneczna 16K 76-200 SŁUPSK

POLAND

tel/fax +48 59 8 414 414; +48 59 8 414 413

e-mail: office@autohak.com.pl


www.autohak.com.pl



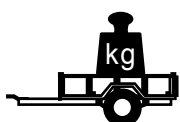
RENAULT
Symbioz


Nr kat.
G107A


 2024 →

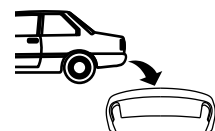
 E20*55R02*6971

D 6,5 kN

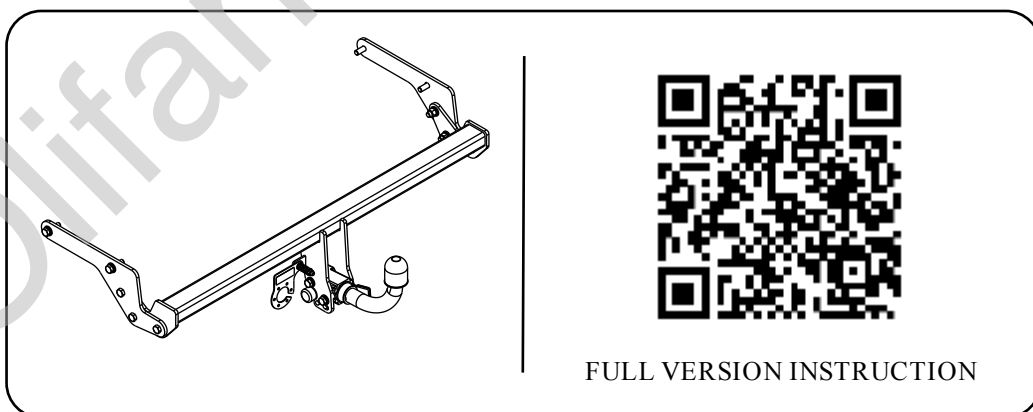
 R=1000 kg

 S=100 kg

 1h







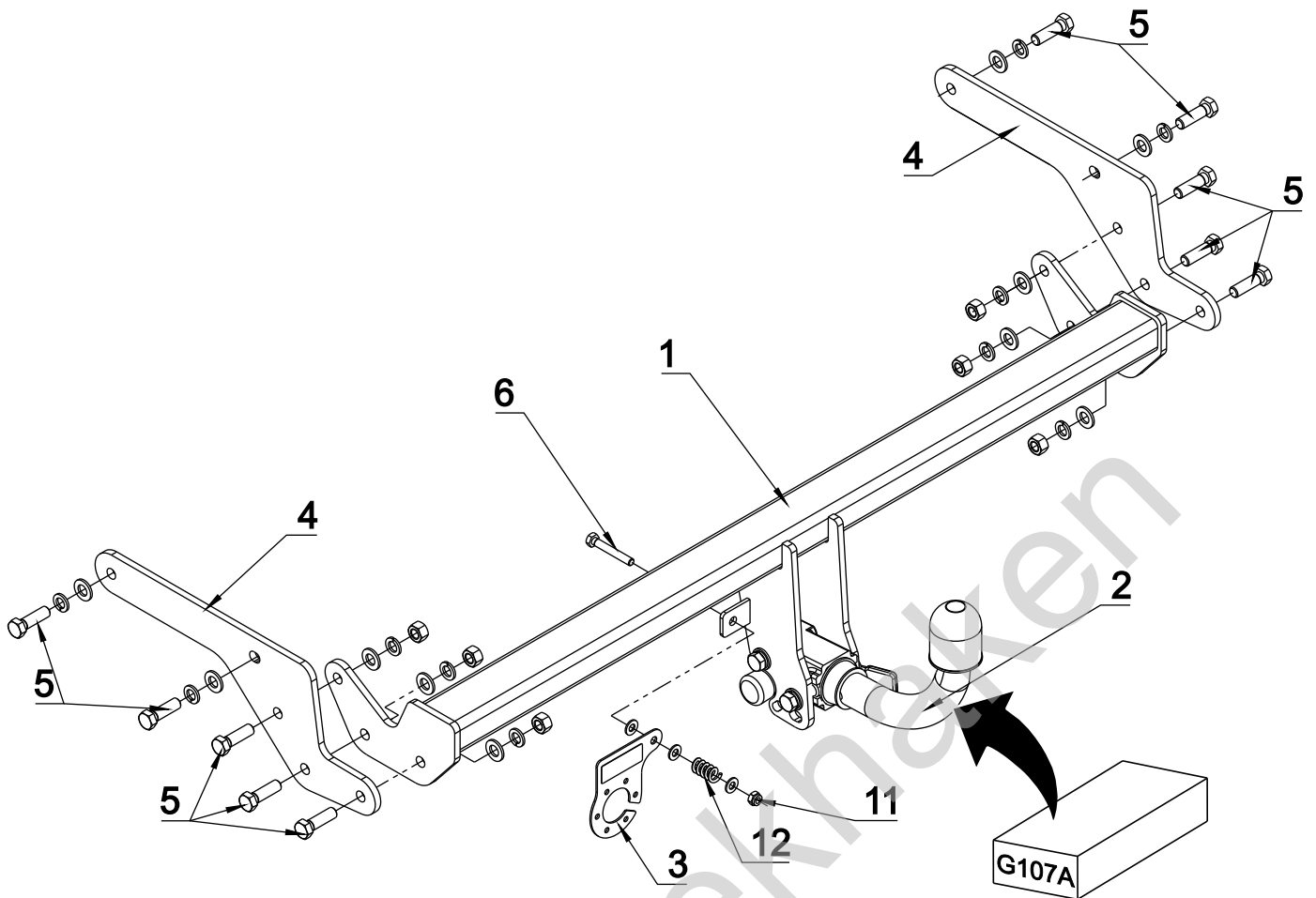


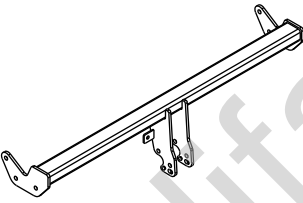





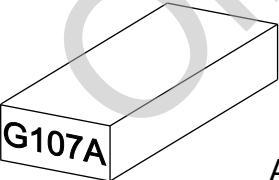
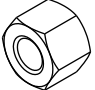
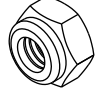
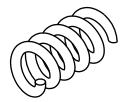
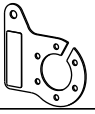

FULL VERSION INSTRUCTION



śruba	Nm	M6	M8	M10	M12	M14	M16
klasa 8.8		9,9	24	48	83	132	200
klasa 10.9		14	34	67	117	185	285

 0 km →  1000 km



1 	x1		5 M12x40	x10
			6 M8x50	x1
			7 \varnothing 13	x10
			8 \varnothing 8.4	x3
			9 \varnothing 12.2	x10
2 	x1		10 M12	x6
			11 M 8 (DIN985)	x1
			12	x1
3 	x1	Art.nr-KL1G107A		
4 	x2			

