

AUTO-HAK Sp. z o.o.

ul. Słoneczna 16K 76-200 SŁUPSK
POLAND

tel/fax +48 59 8 414 414; +48 59 8 414 413

e-mail: office@autohak.com.pl

www.autohak.com.pl




AUTO-HAK


**DACIA DUSTER III
RENAULT DUSTER III**


Nr kat.
G105A

 2024 →

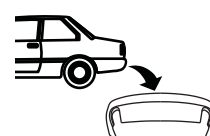
 E20*55R02*6905

D 9,0 kN

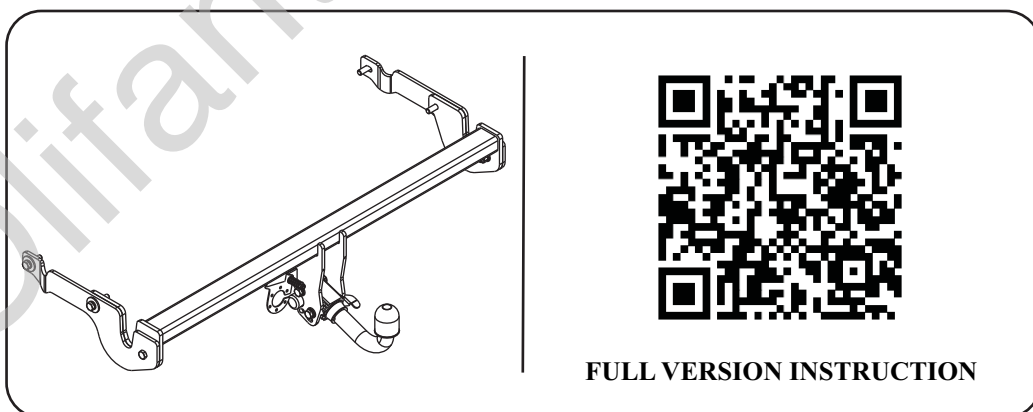
 **R=1600 kg**

 **S=75 kg**

 **2h**







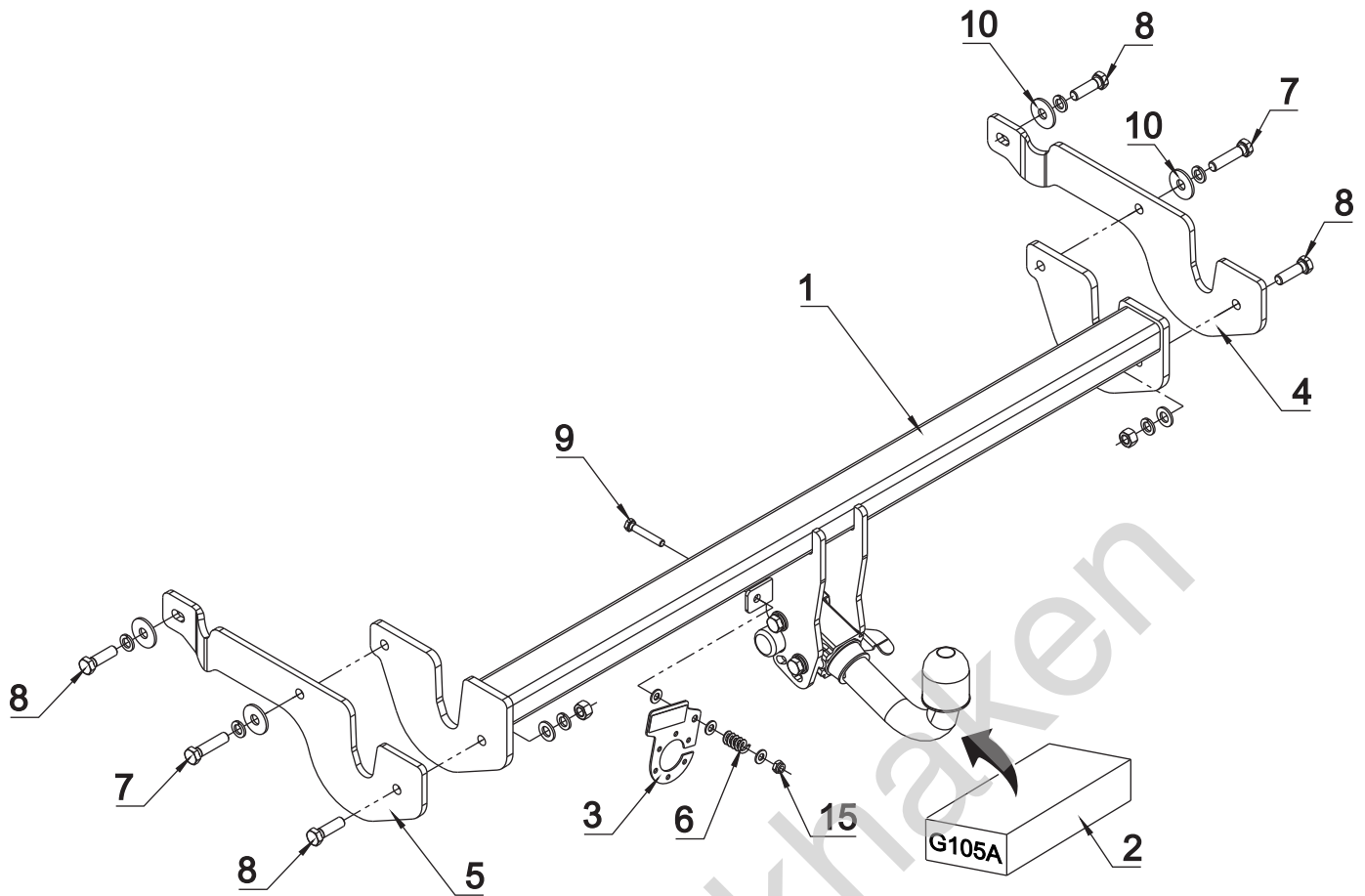


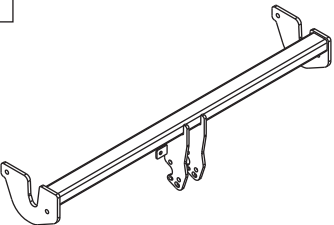

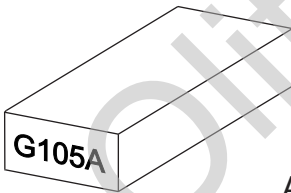



FULL VERSION INSTRUCTION



śruba	Nm	M6	M8	M10	M12	M14	M16
klasa 8.8		9,9	24	48	83	132	200
klasa 10.9		14	34	67	117	185	285

 0 km →  1000 km



	x1		7	M12x50	x2
			8	M12x40	x4
			9	M8x50	x1
			10	$\varnothing 37 \times \varnothing 13 \times 3$ 13 DIN 9021	4
	x1		11	$\varnothing 13$	x2
			12	$\varnothing 8.4$	x3
			13	$\varnothing 12.2$	x6
Art.nr-KL1G105A					
3	x1		14	M12	x2
Art.nr-BL31G105A					
4	x1		15	M8 (DIN985)	x1
5	x1				
6	x1				

