

AUTO-HAK Sp. z o.o.

ul. Słoneczna 16K 76-200 SŁUPSK
POLAND

tel/fax +48 59 8 414 414; +48 59 8 414 413

e-mail: office@autohak.com.pl

www.autohak.com.pl



AUTO-HAK

RENAULT KANGO III

 03.2021 →

NISSAN TOWNSTAR

 03.2021 →

MERCEDES CITAN II (W420)

 09.2021 →

MERCEDES T-CLASS (W420)

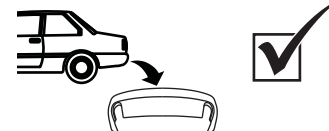
 05.2022 →


Nr kat.

G103A




2h

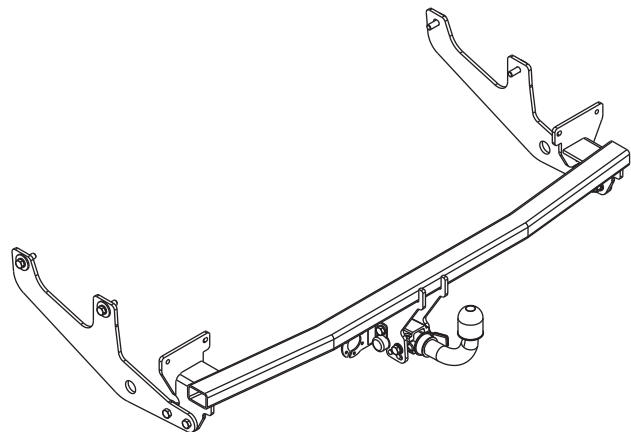


 E20*55R02*6680

D 9,5 kN

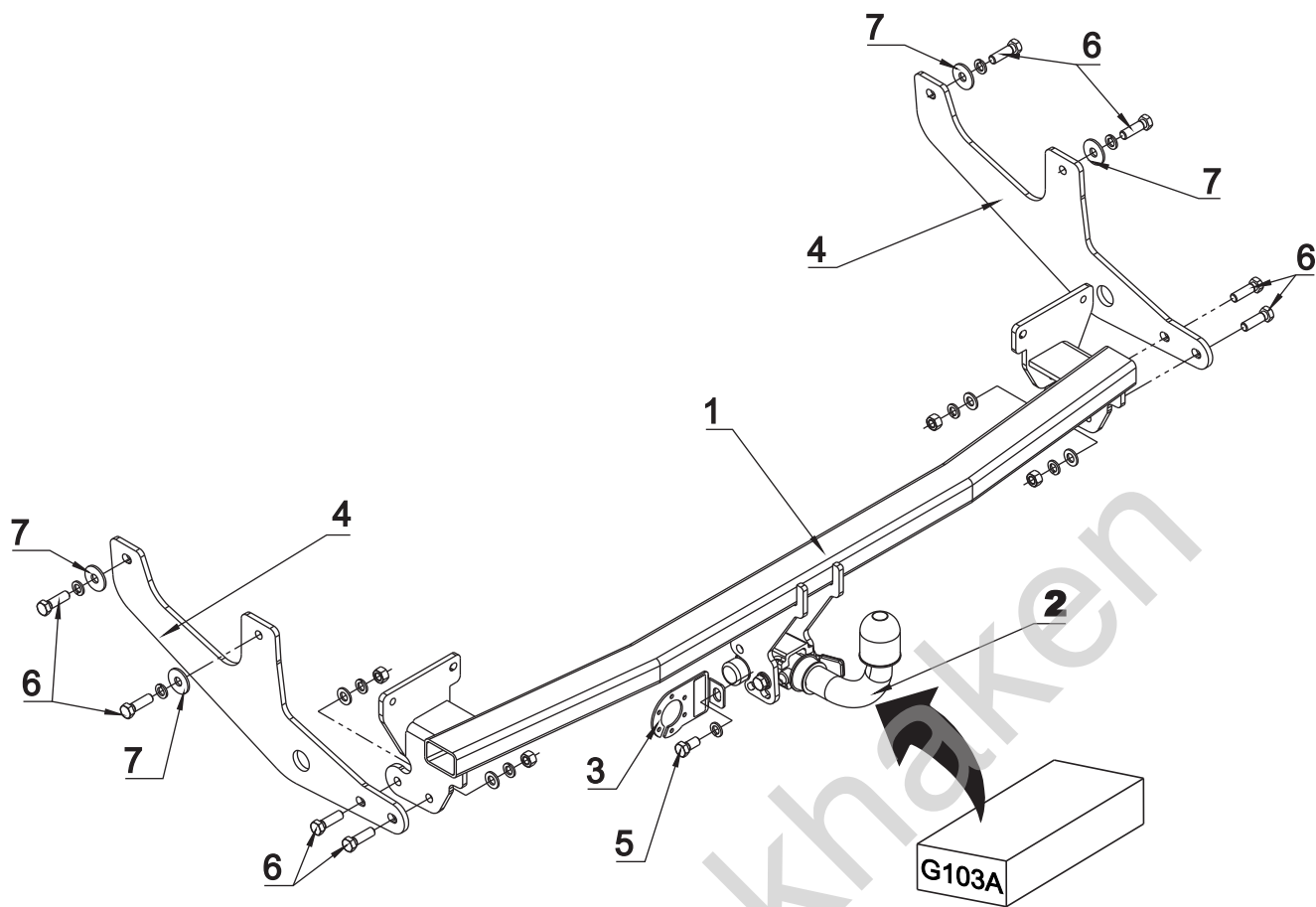
 **R=1500 kg**

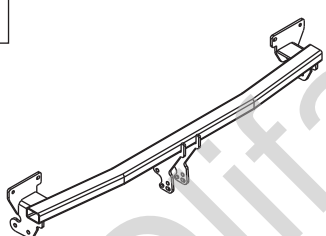

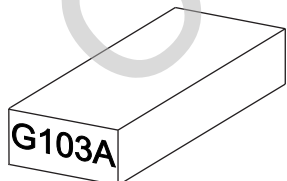

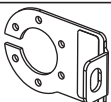



 **S=115 kg**



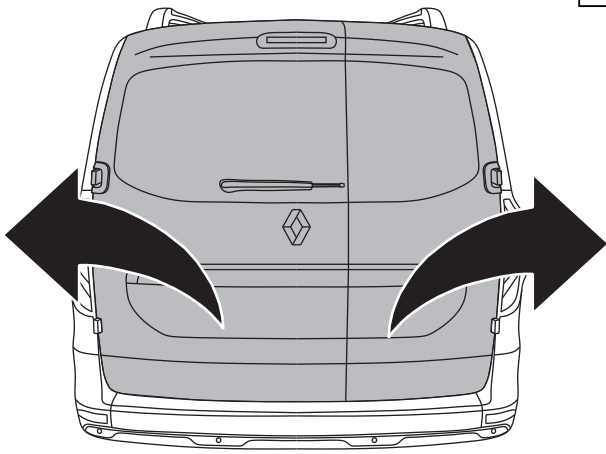
śruba Nm	M6	M8	M10	M12	M14	M16
klasa 8.8	9,9	24	48	83	132	200
klasa 10.9	14	34	67	117	185	285

 0 km →  1000 km

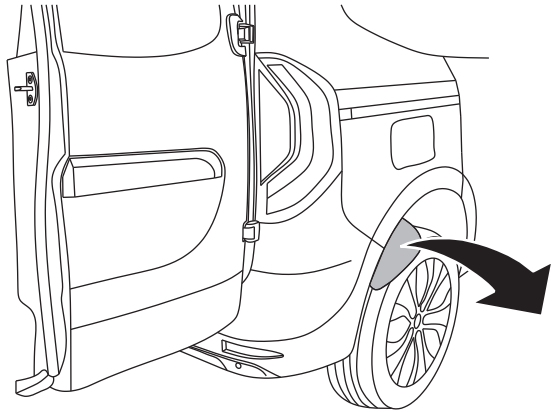


1 	x1		5 M12x40	x8
2 	x1		6 \varnothing 13 7 \varnothing 37x \varnothing 13x3 13 DIN 9021	x4 x4
3 	x1		8 \varnothing 12.2	x8
4 	x2		9 M12	x4
Art.nr-KL1G103A Art.nr-BL1G103A				

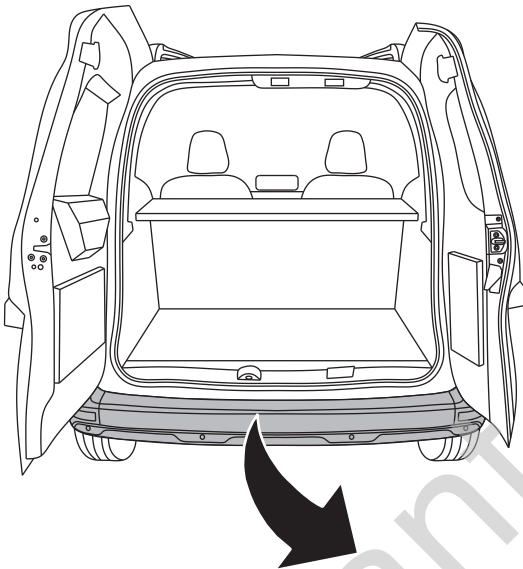
01



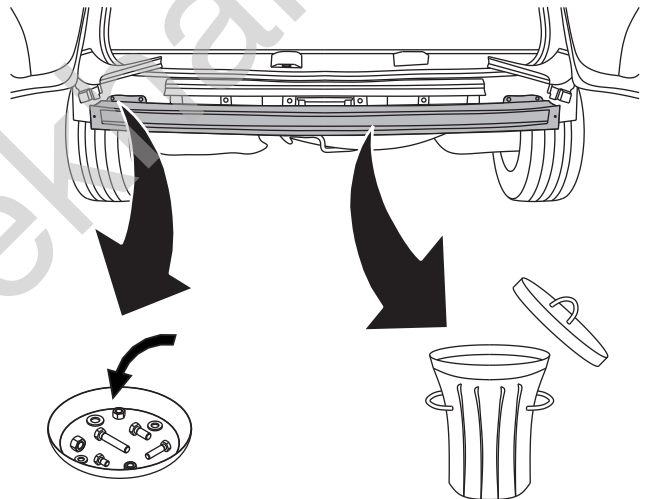
02



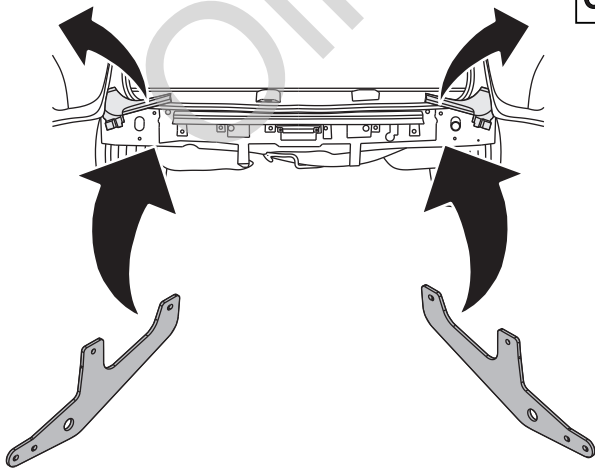
03



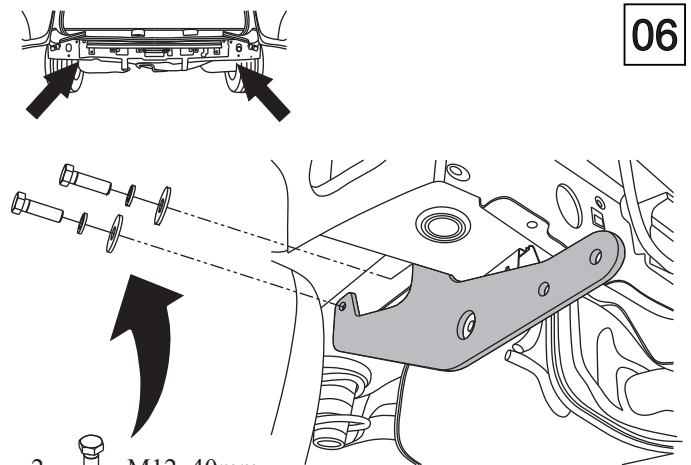
04



05



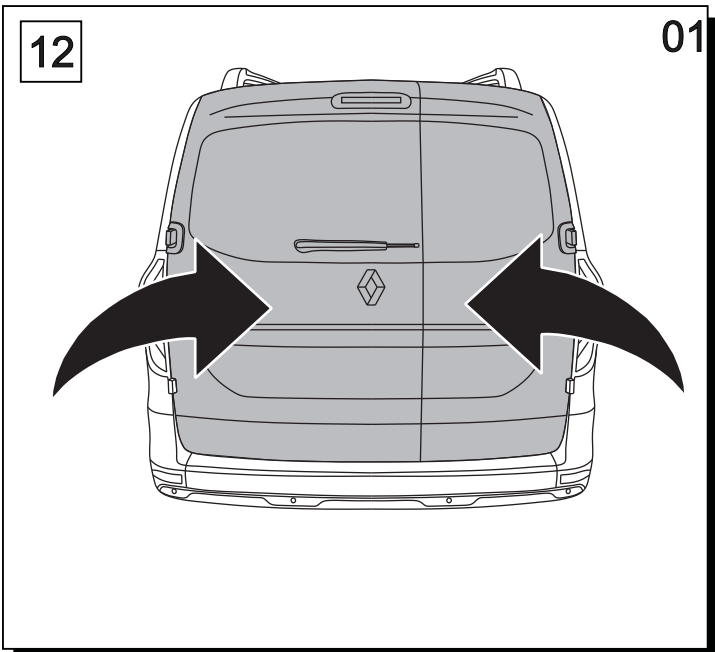
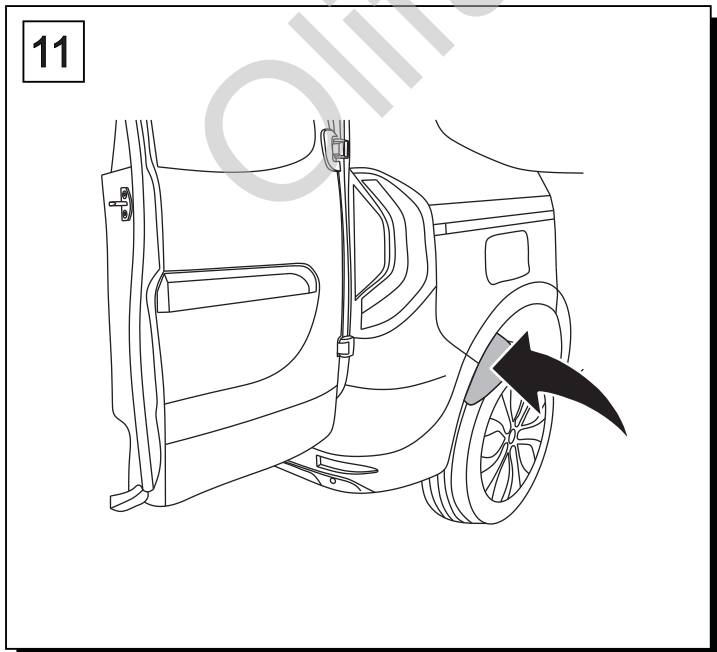
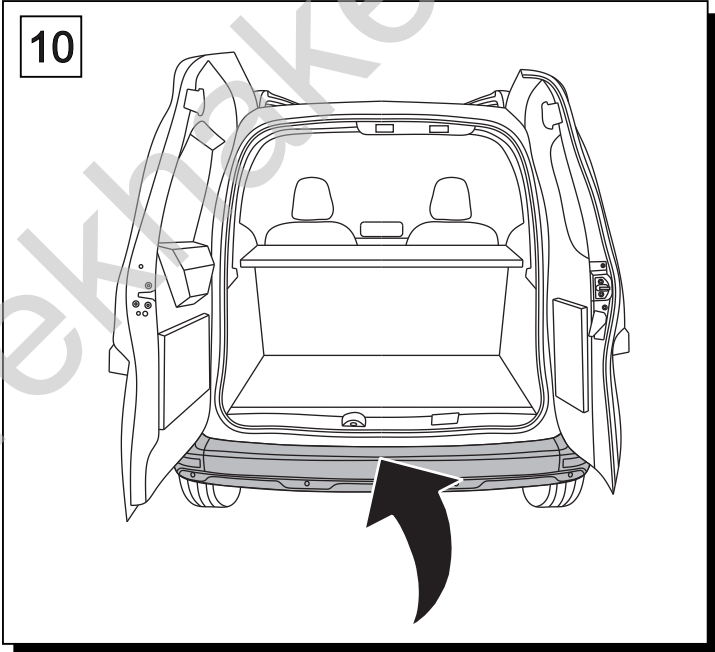
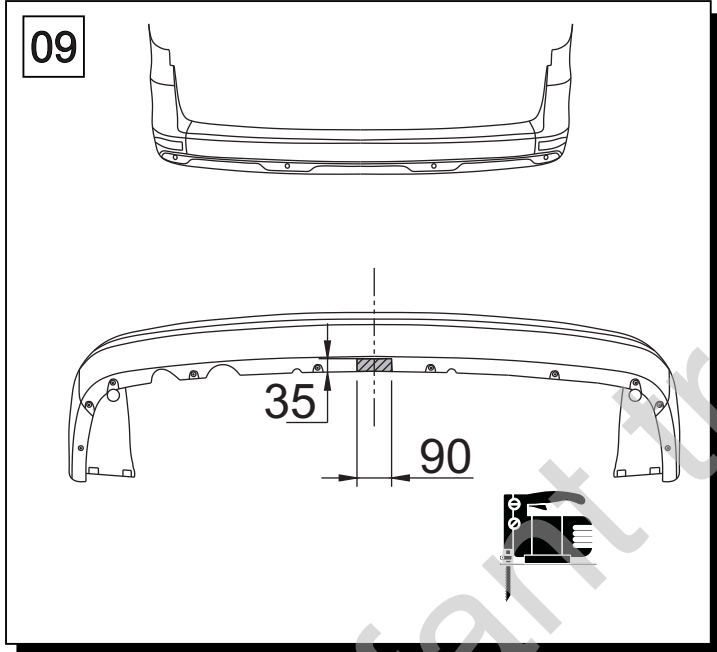
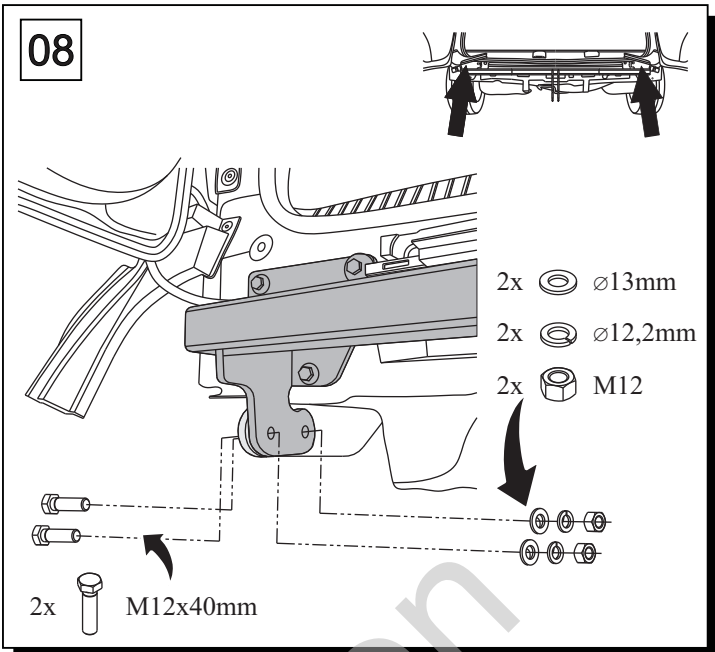
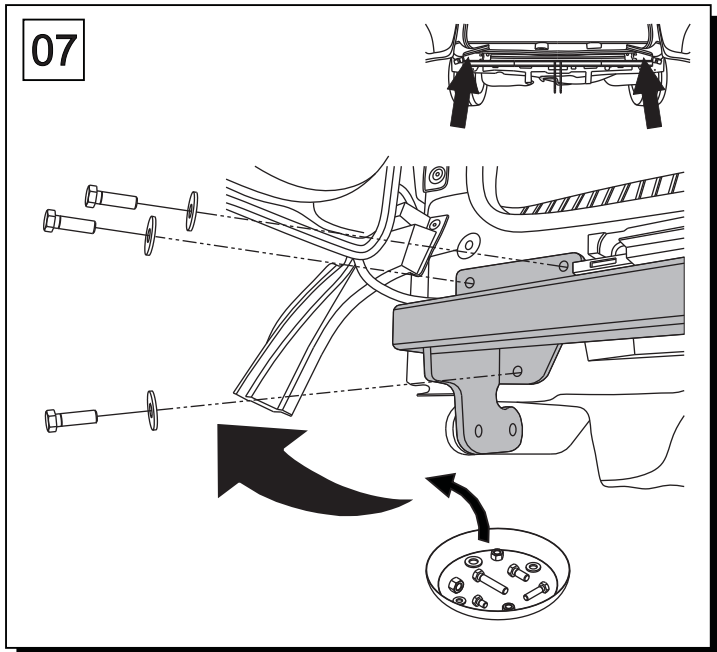
06

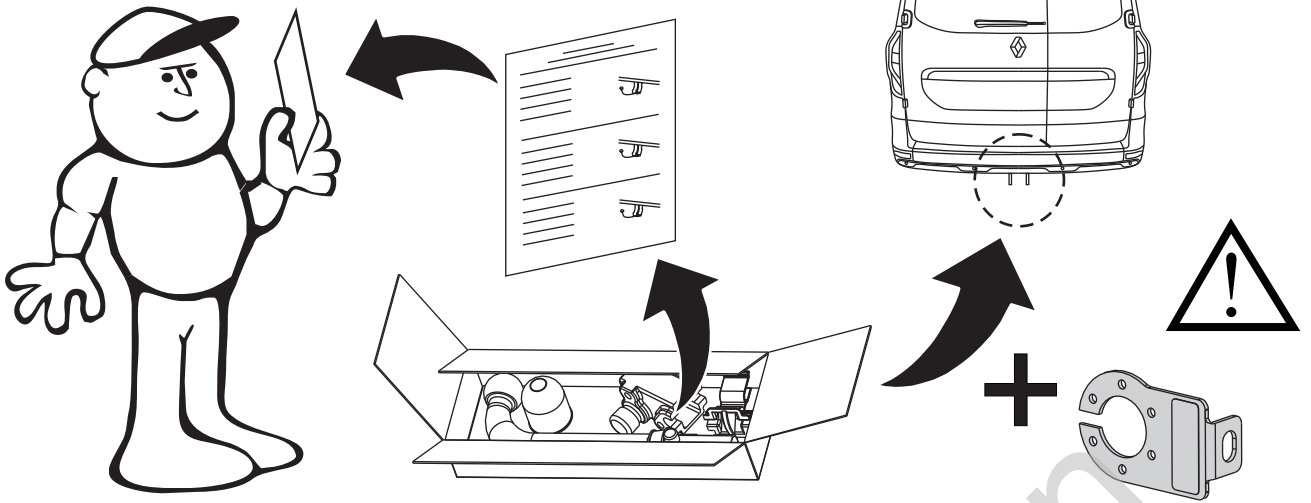


2x M12x40mm

2x $\varnothing 12,2\text{mm}$

2x $\varnothing 37 \times 13 \times 3\text{mm}$





Olifant trekhaken

