

AUTO-HAK Sp. z o.o.

ul. Słoneczna 16K 76-200 SŁUPSK
POLAND

tel/fax +48 59 8 414 414; +48 59 8 414 413

e-mail: office@autohak.com.pl

www.autohak.com.pl




AUTO-HAK


DACIA JOGGER


HYBRID

 2022 →

 E20-55R-02 6424

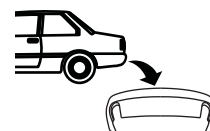
D 7,43 kN

 **R=1200 kg**

 **S=75 kg**

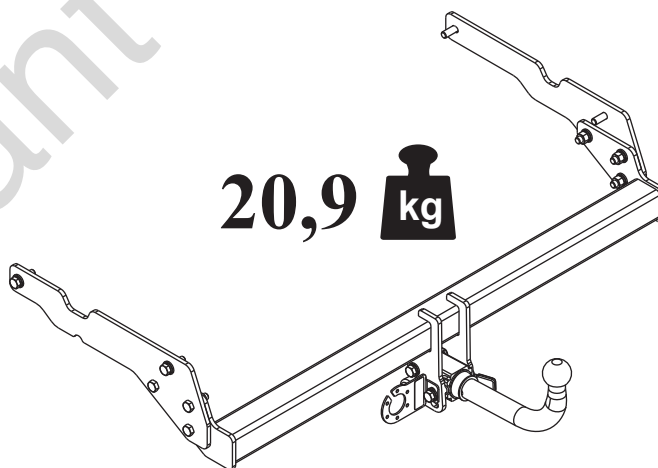
Nr kat.
G101A

 **2h**



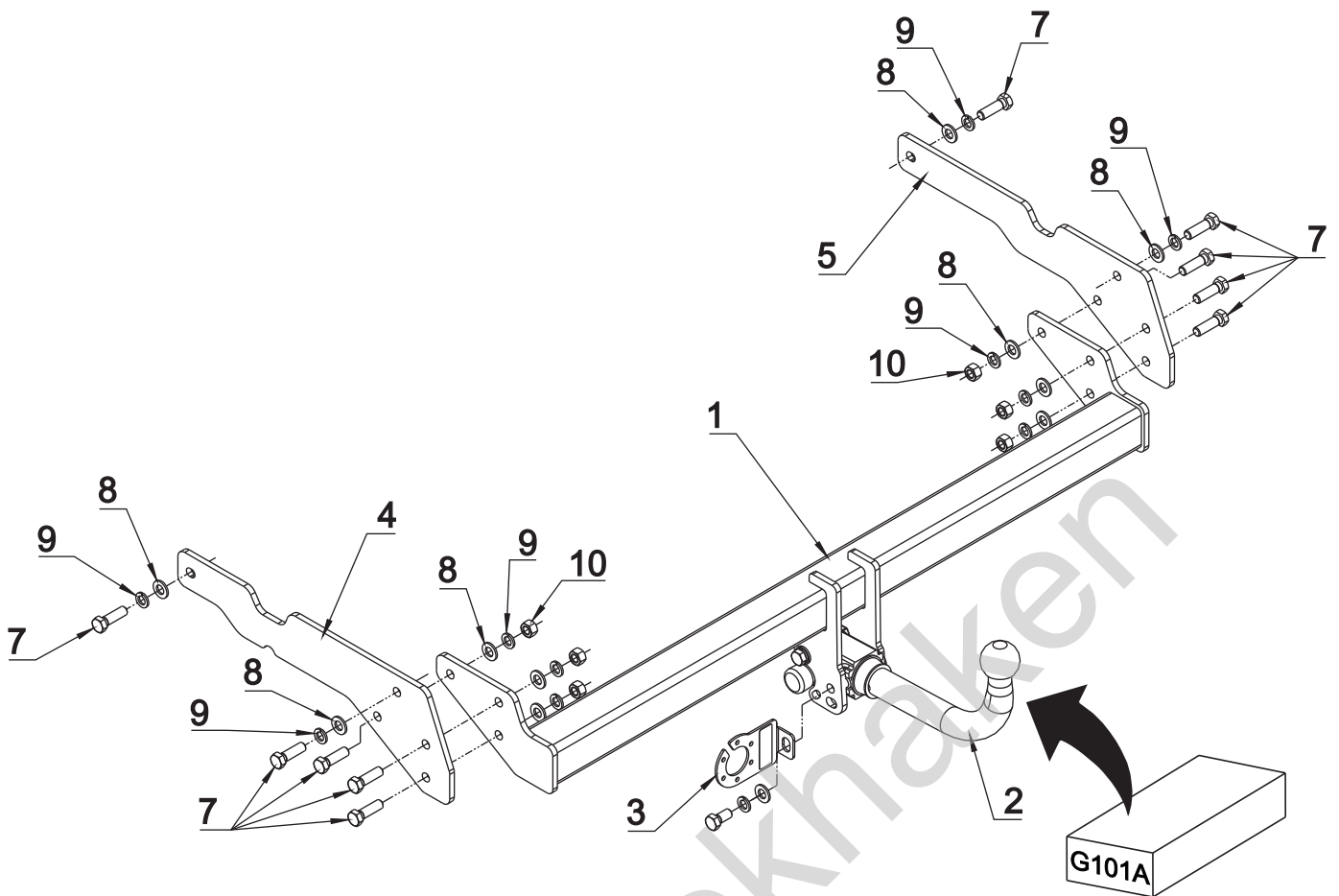


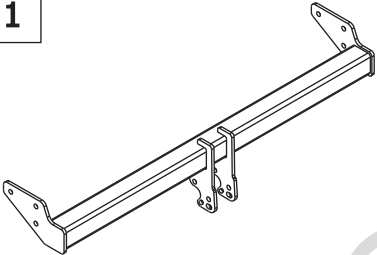
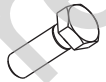

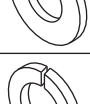

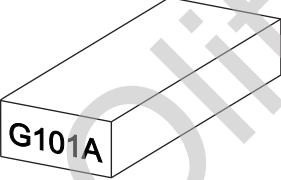
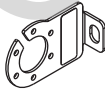



20,9 kg 

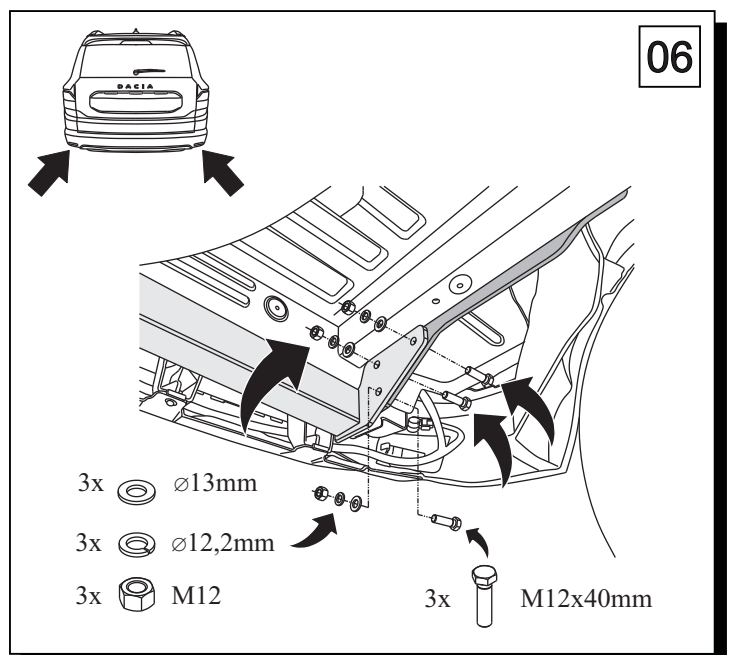
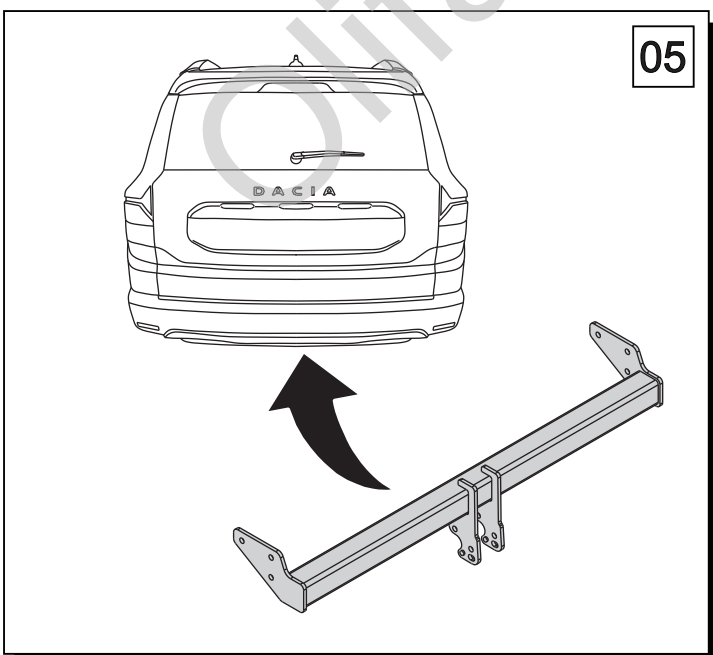
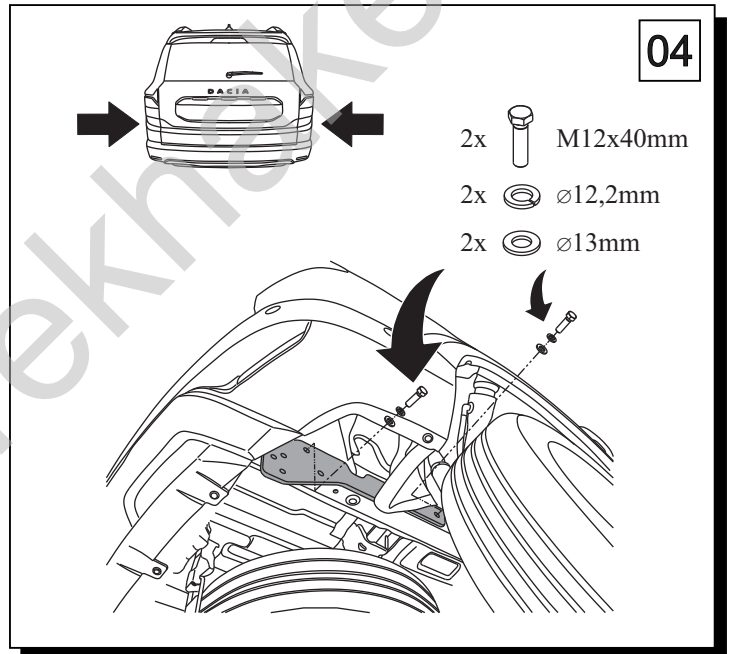
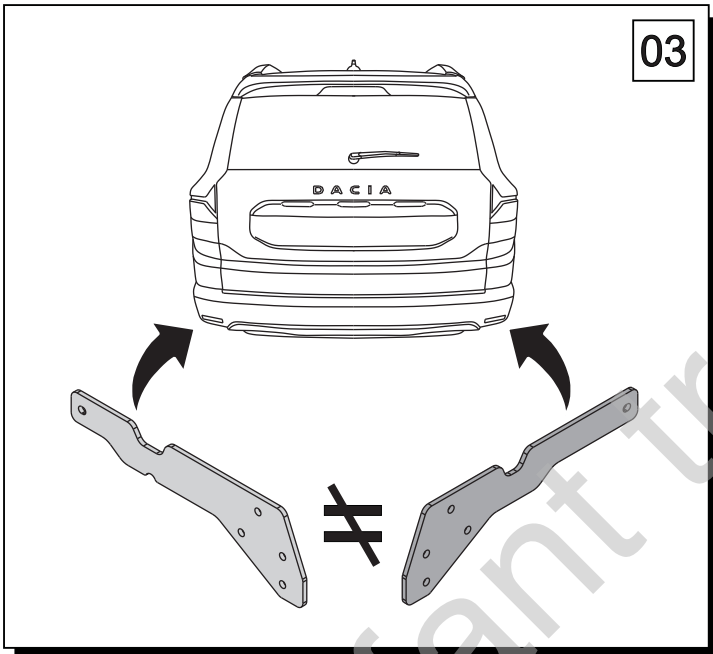
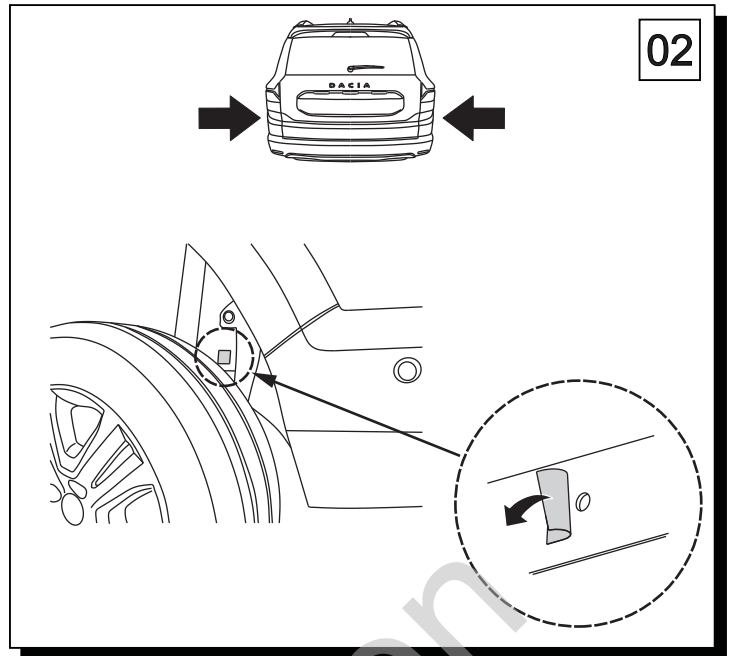
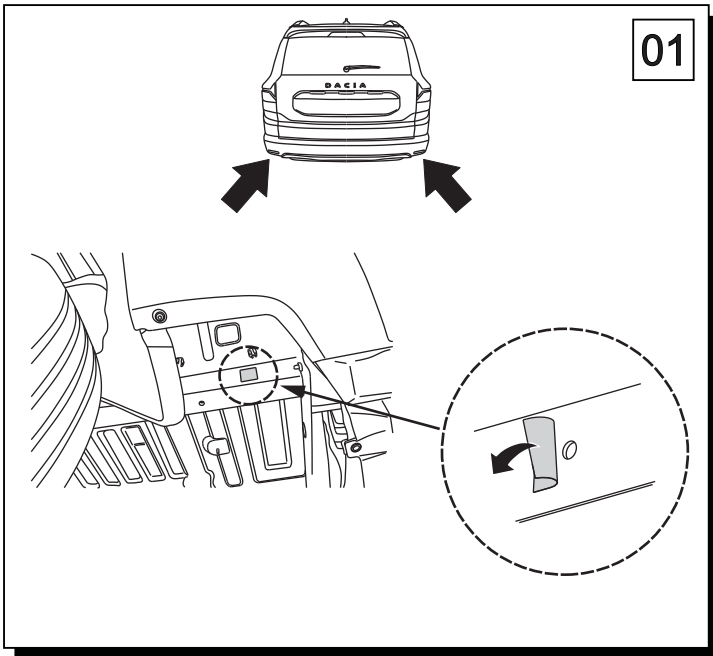


śruba	Nm	M6	M8	M10	M12	M14	M16
klasa 8.8		9,9	24	48	83	132	200
klasa 10.9		14	34	67	117	185	285

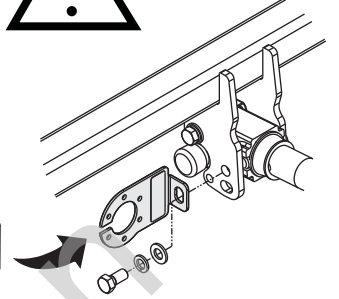
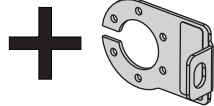
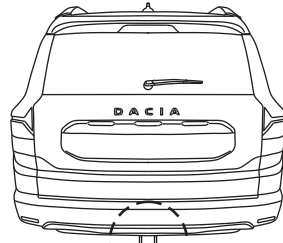
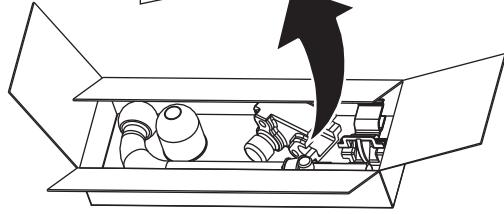
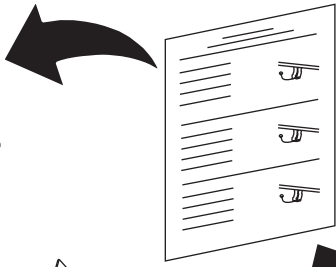
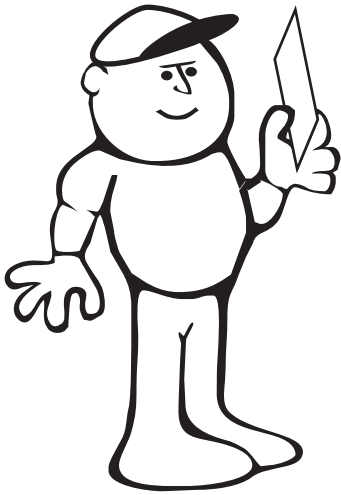
 0 km →  1000 km



1		x1		7 M12x40	x 10
				8 ϕ 13	x 10
				9 ϕ 12.2	x 10
				10 M12	x 6
2		x1			
3		x1			
4		x1			
5		x1			
6		x1			



08



Olifant trekhaken