

AUTO-HAK Sp. z o.o.

ul. Słoneczna 16K 76-200 SŁUPSK
POLAND

tel/fax +48 59 8 414 414; +48 59 8 414 413

e-mail: office@autohak.com.pl

www.autohak.com.pl



AUTO-HAK

PEUGEOT 308 III

 07.2021 →

Nr kat.

F52A

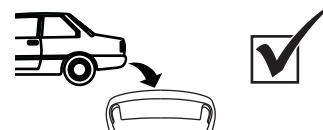
OPEL ASTRA L


 10.2021 →



E20 E20*55R02*6608

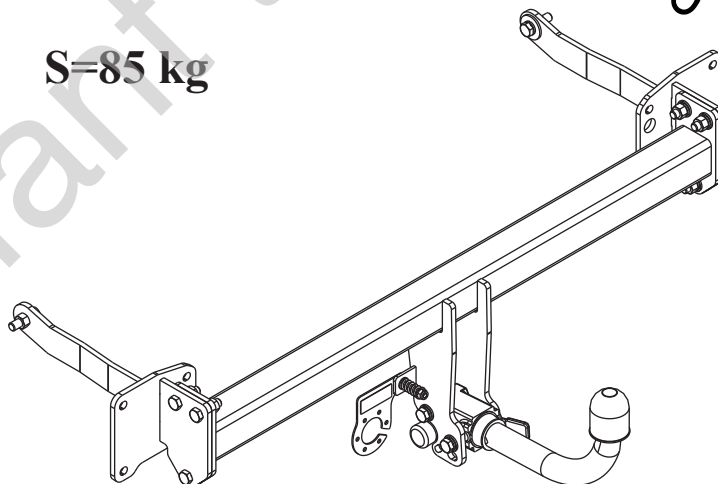
D 9,4 kN



 **R=1612 kg**

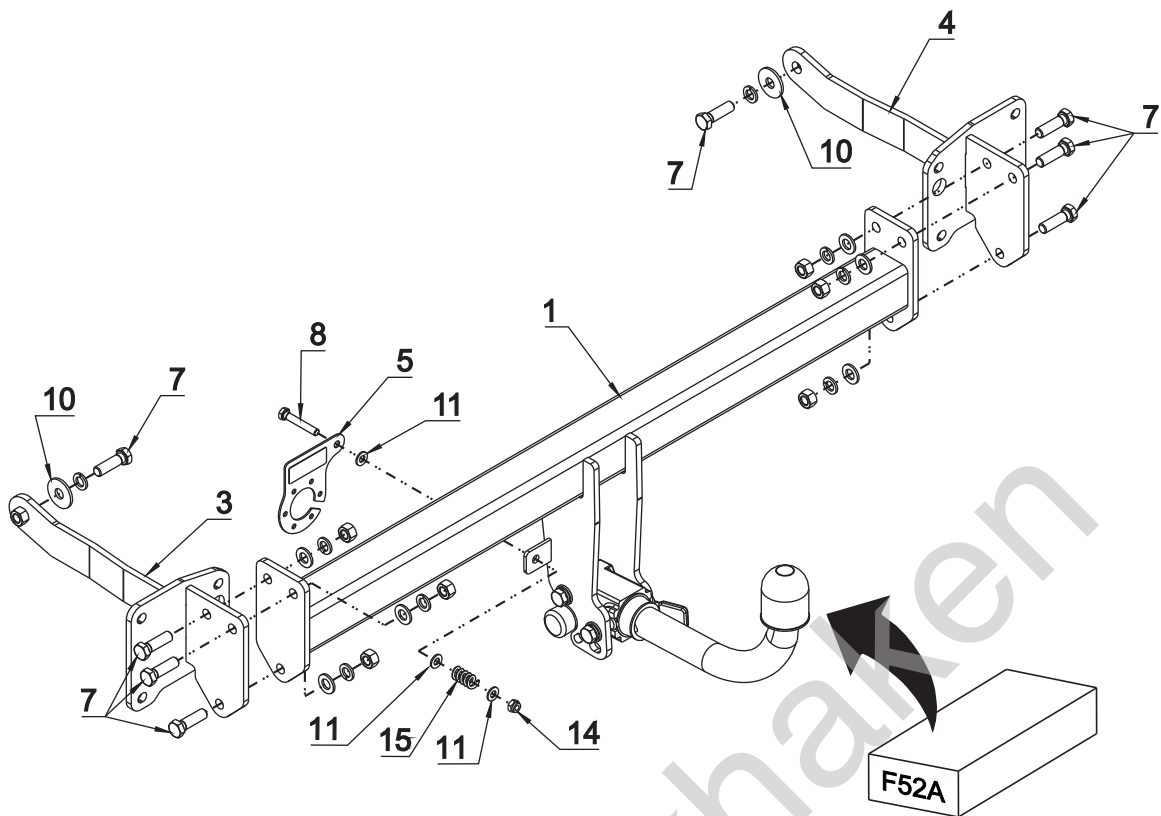


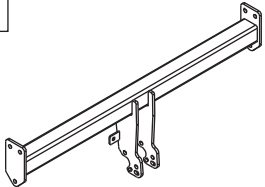

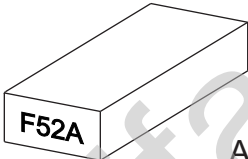

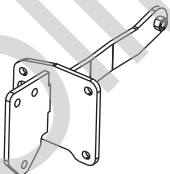

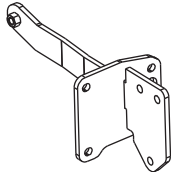


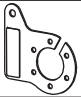


 **S=85 kg**



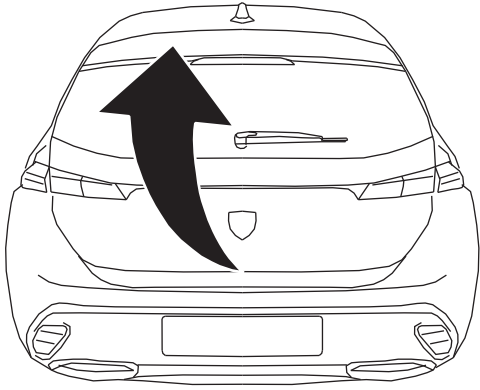
śruba	Nm	M6	M8	M10	M12	M14	M16
klasa 8.8		9,9	24	48	83	132	200
klasa 10.9		14	34	67	117	185	285

 0 km →  1000 km

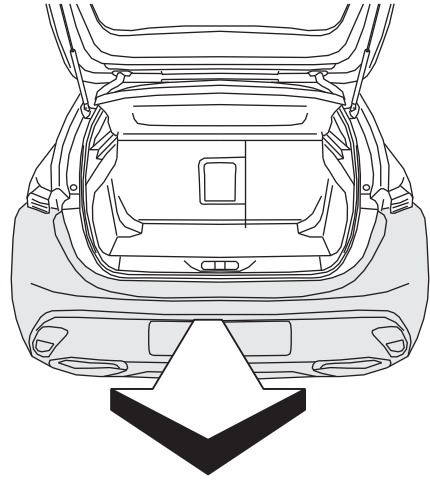


	x1		7	M12x40	x8
			8	M8x50	x1
 Art.nr-KL1F52A	x1		9	∅ 13	x6
			10	∅ 37x∅13x3 13 (DIN 9021)	x2
	x1		11	∅ 8.4	x3
			12	∅ 12.2	x8
	x1		13	M12	x8
				14	M 8 (DIN985)
	x1			15	
				x1	

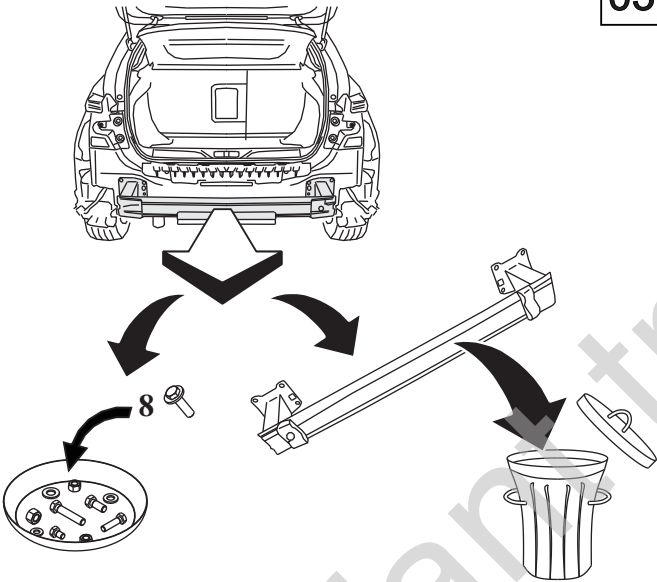
01



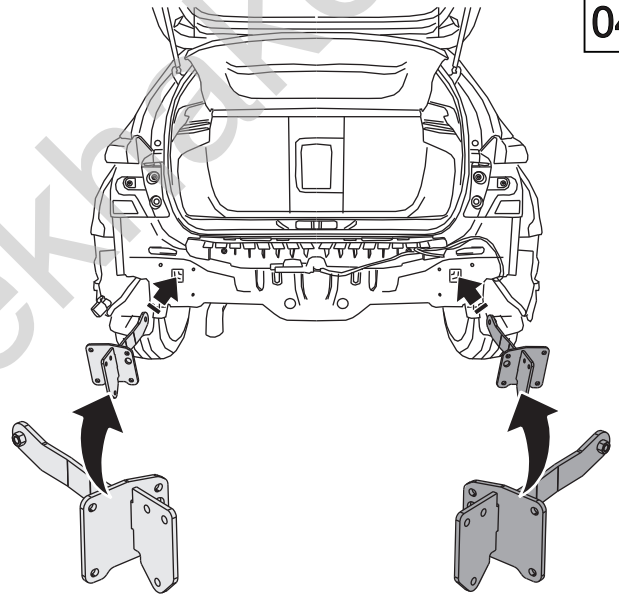
02



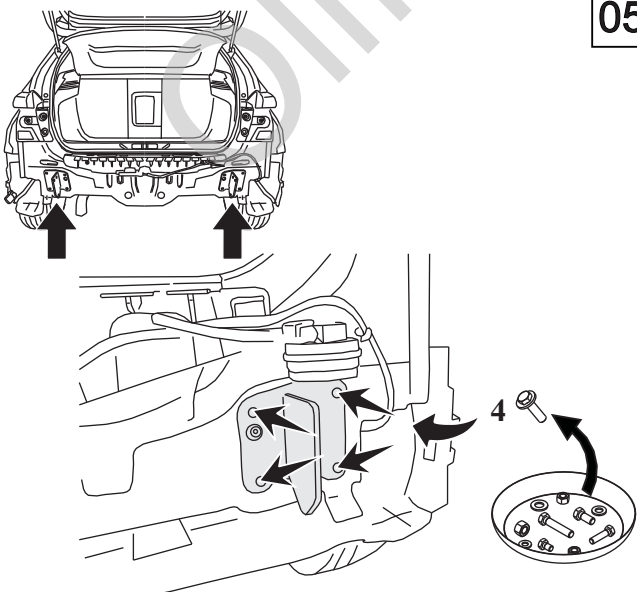
03



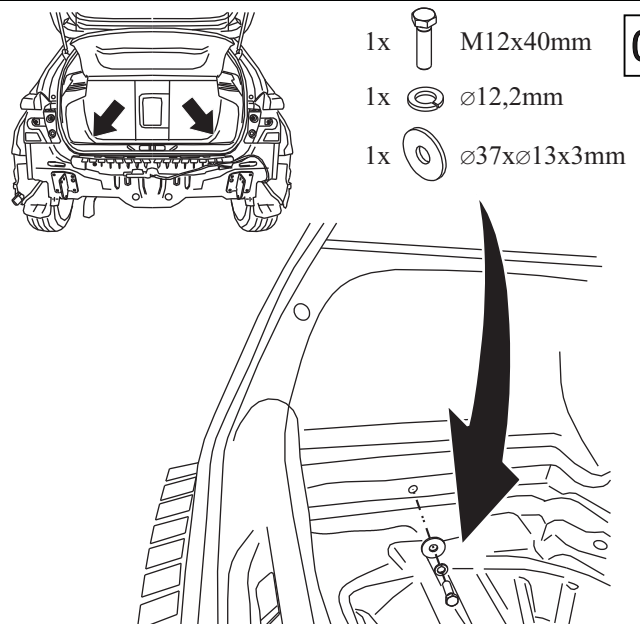
04



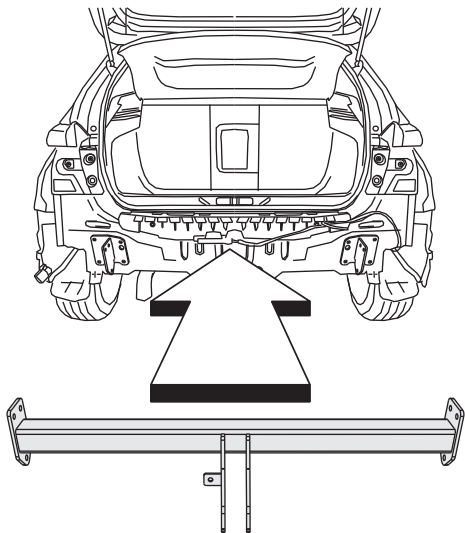
05



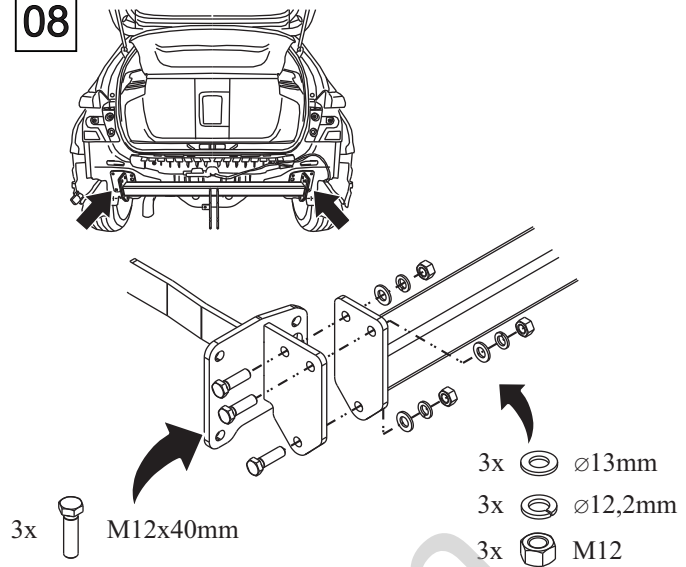
06



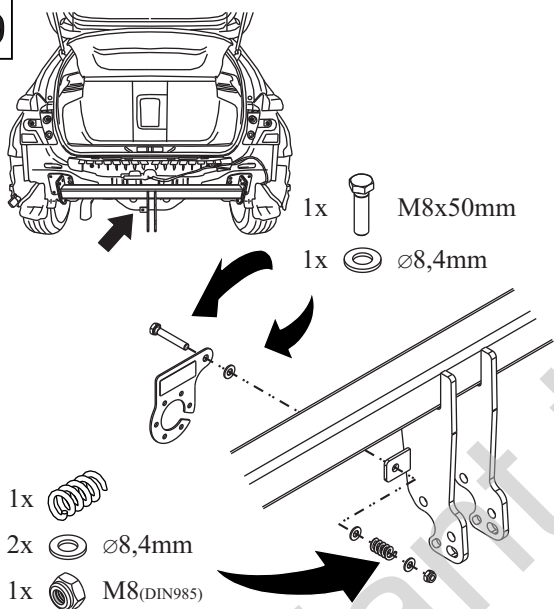
07



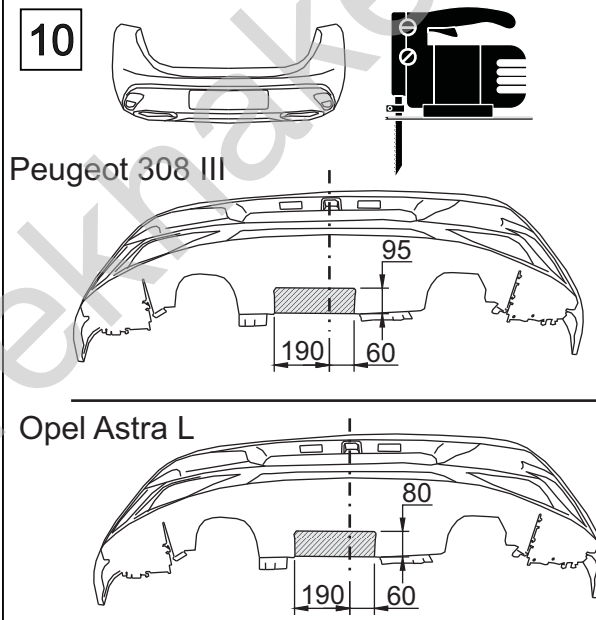
08



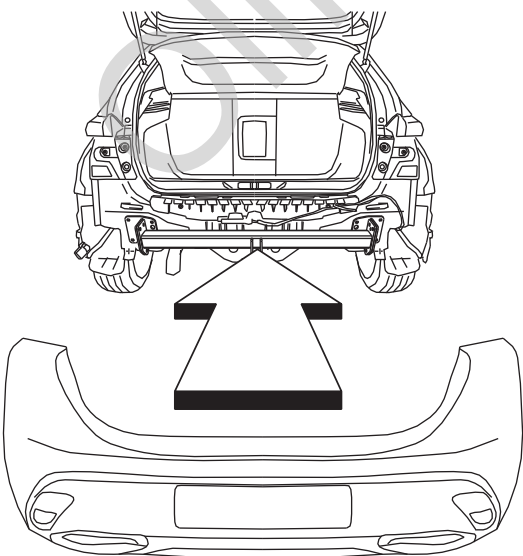
09



10



11



12

