

AUTO-HAK Sp. z o.o.

ul. Słoneczna 16K 76-200 SŁUPSK
POLAND

tel/fax +48 59 8 414 414; +48 59 8 414 413

e-mail: office@autohak.com.pl

www.autohak.com.pl



AUTO-HAK

PEUGEOT 2008 II


Nr kat.


F51A

 01.2020 →

 E20-55R-01 5981

D 7,13 kN

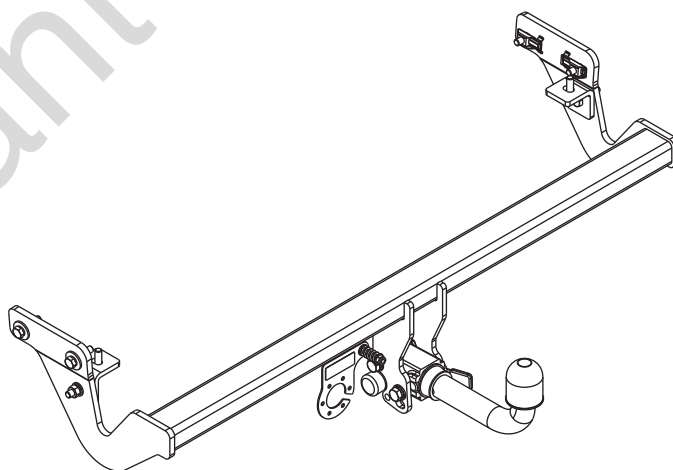
 R=1300 kg

 S=75 kg



 2h

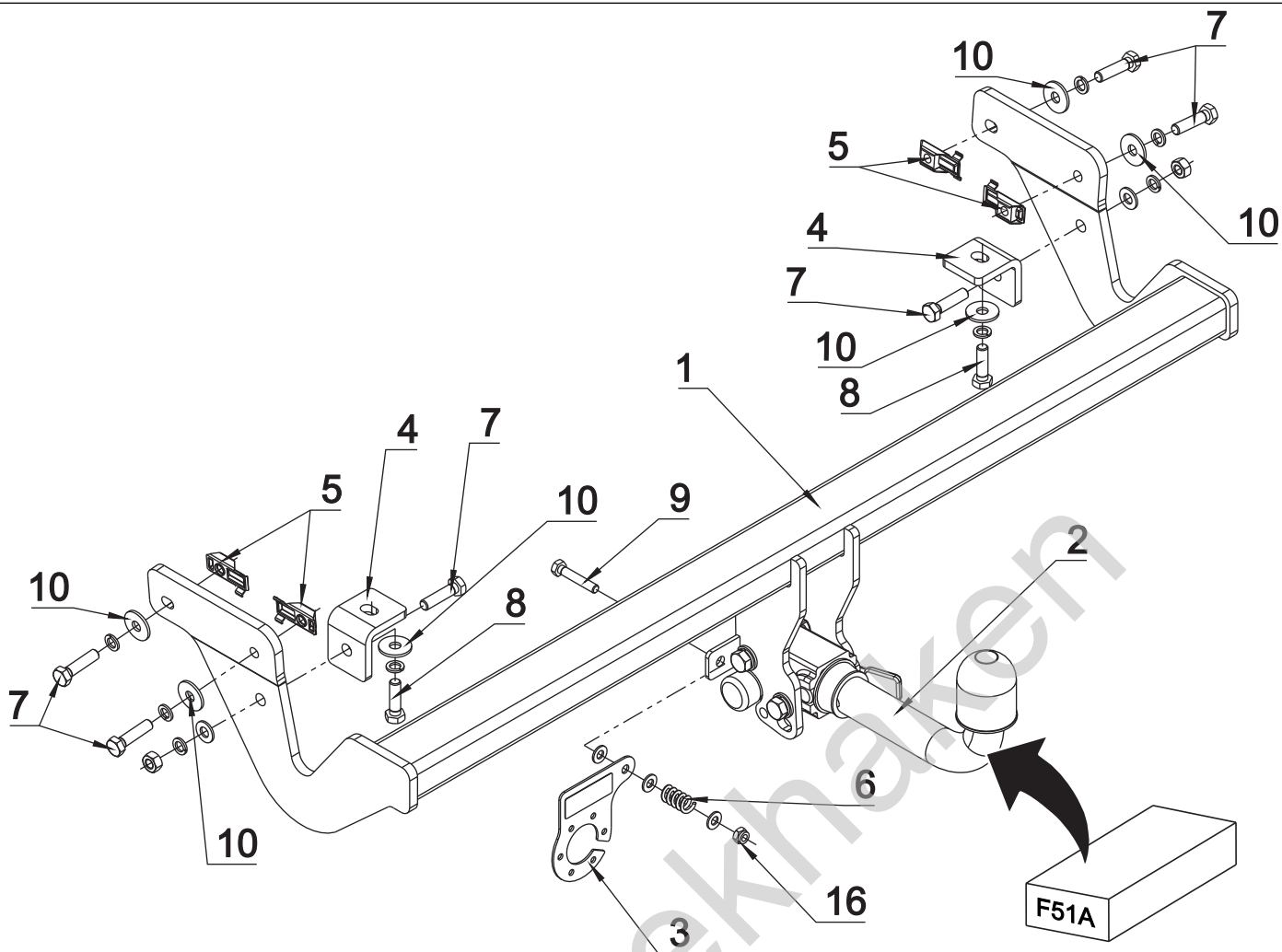


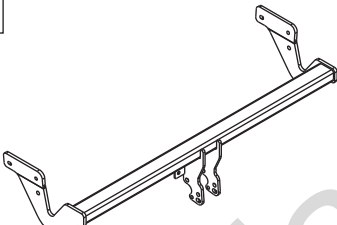

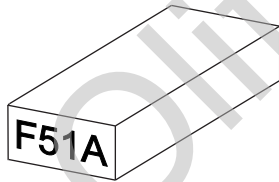

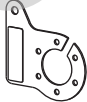


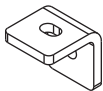

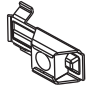



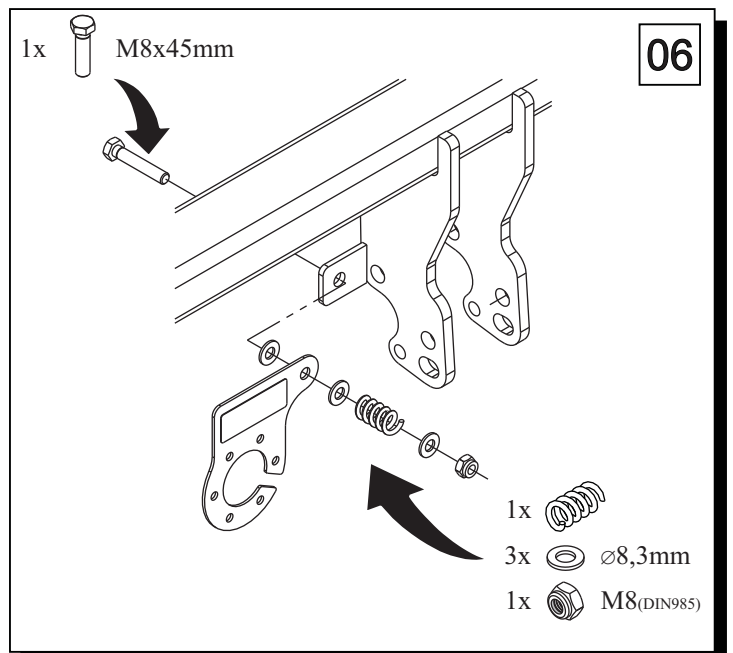
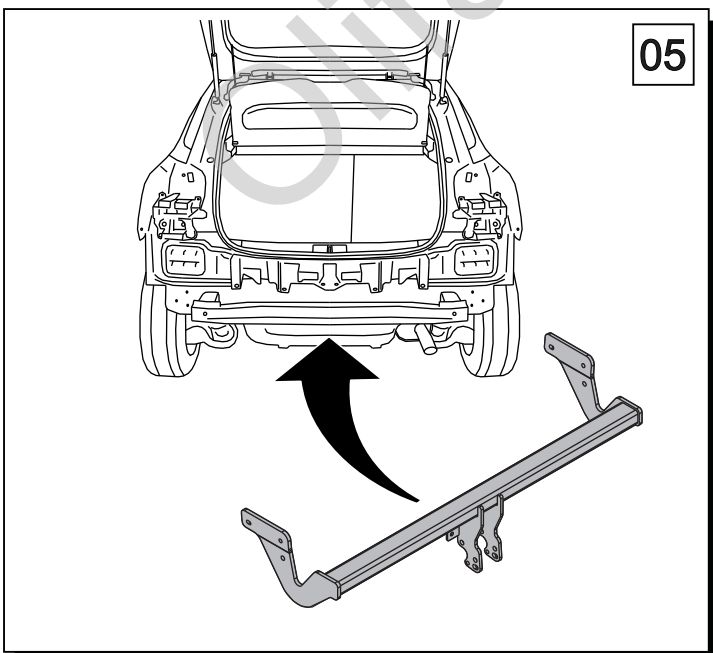
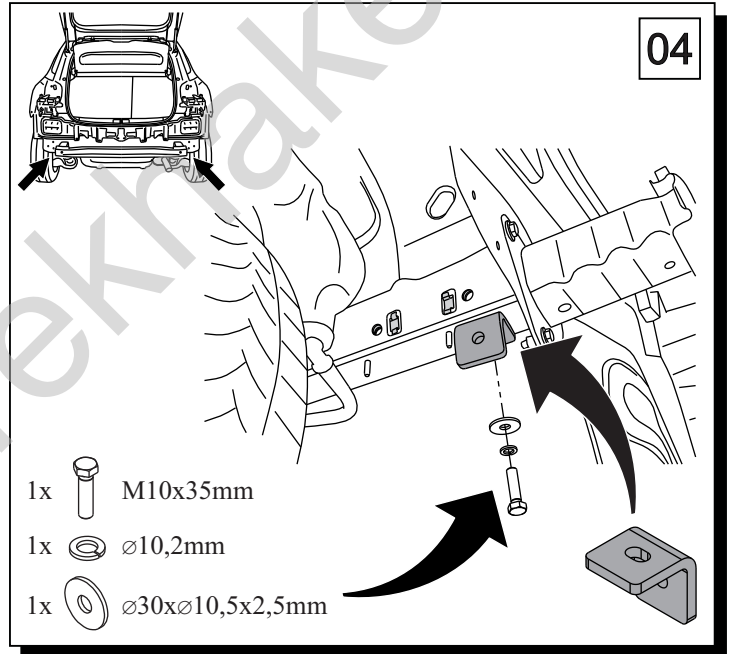
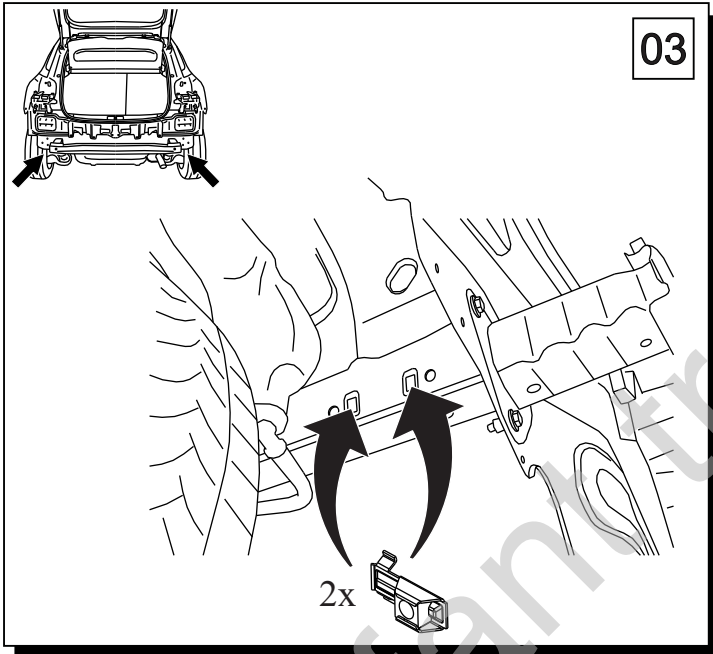
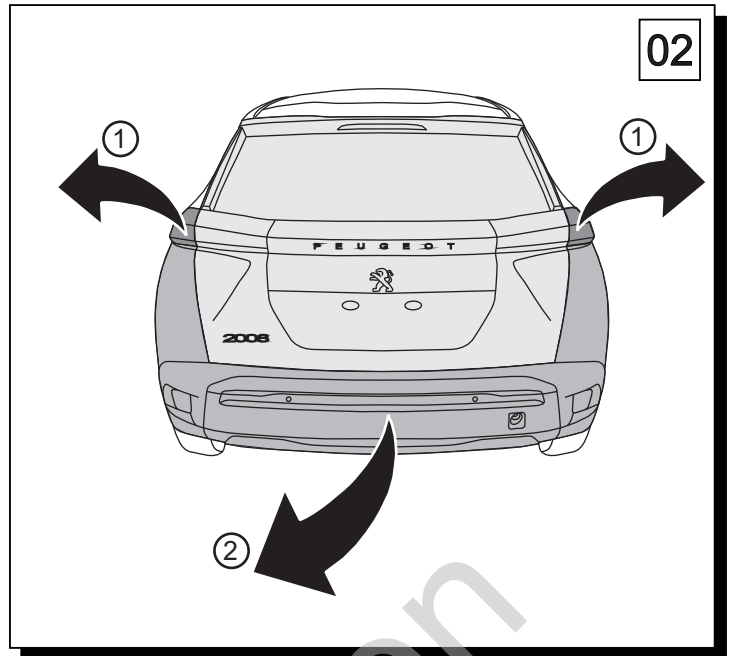
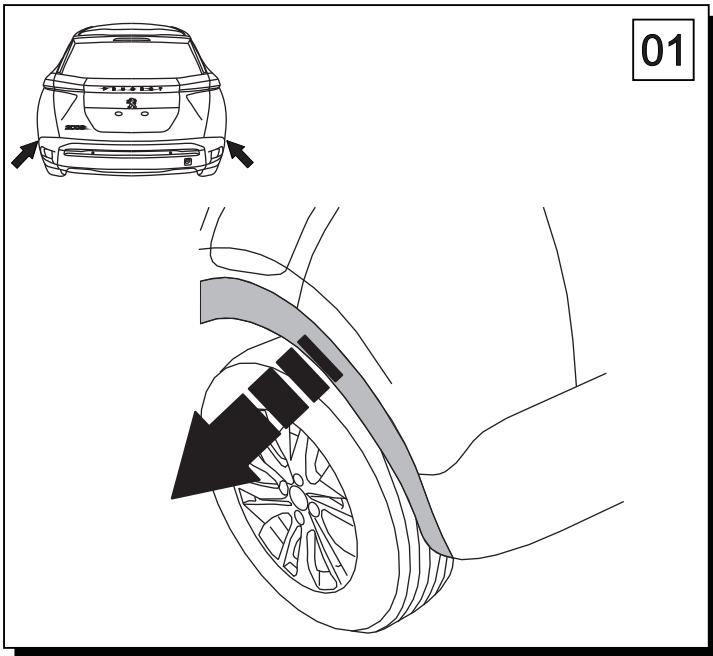


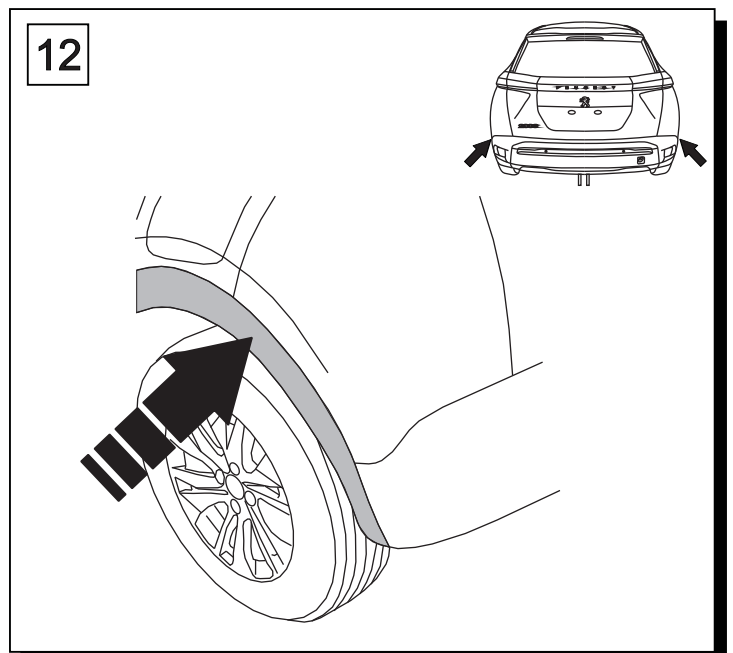
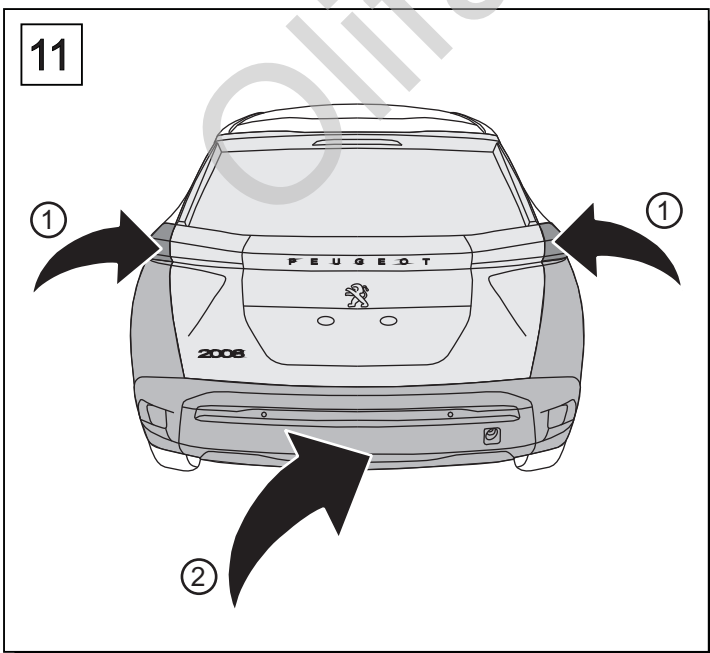
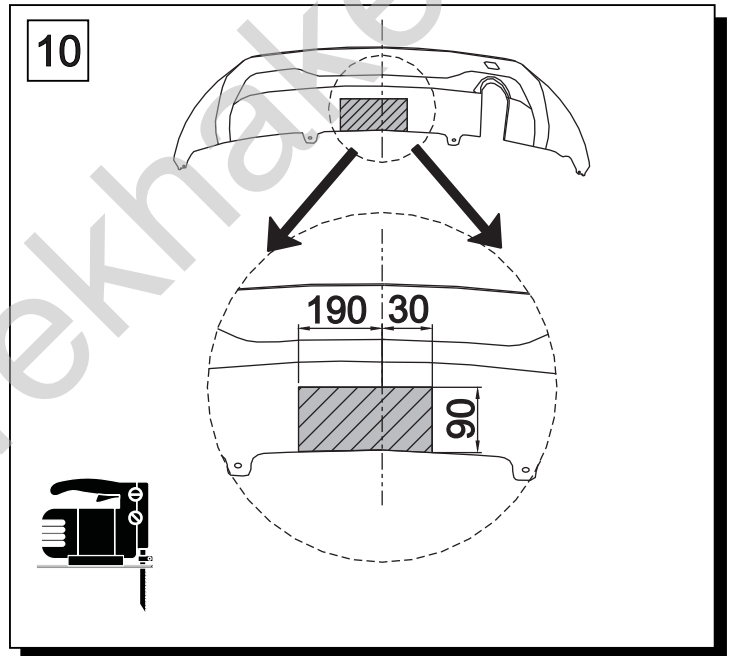
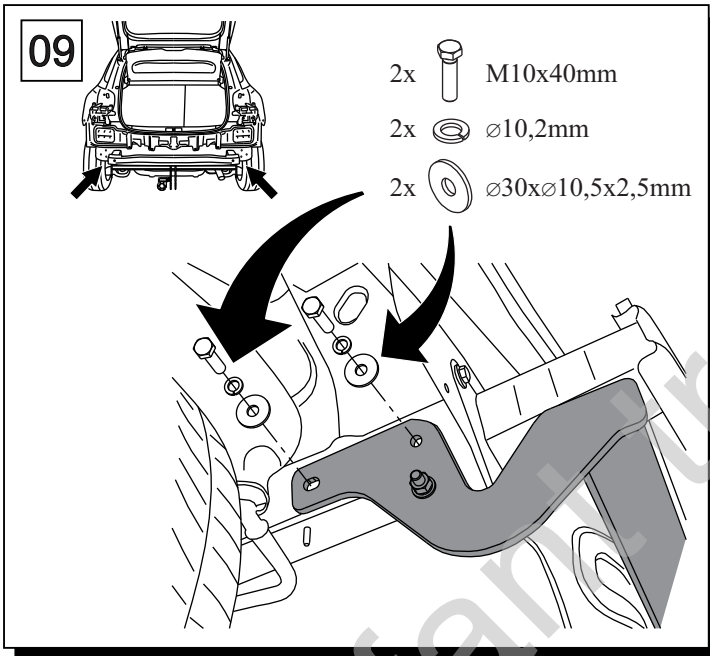
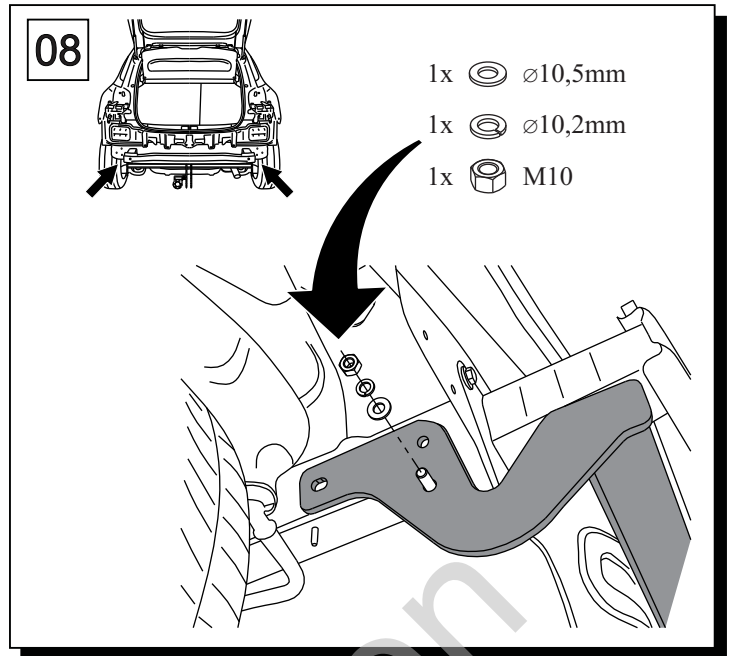
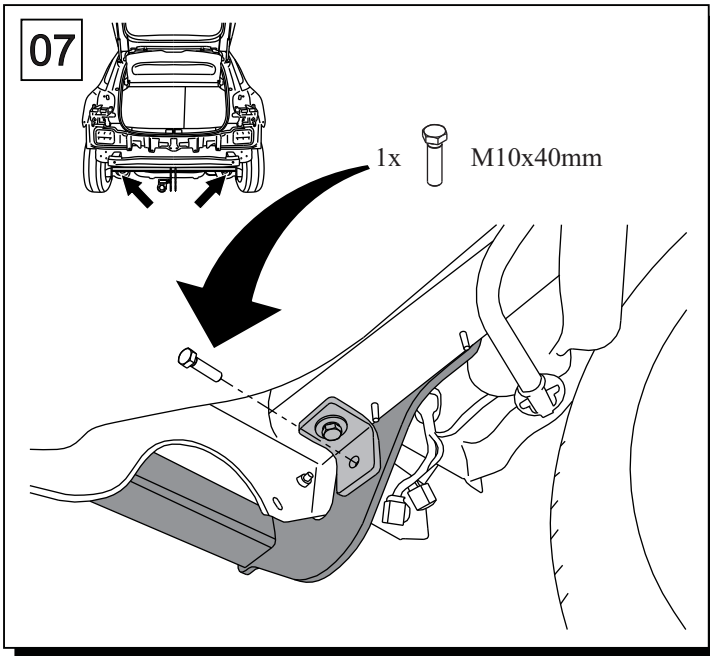
śruba Nm	M6	M8	M10	M12	M14	M16
klasa 8.8	9,9	24	48	83	132	200
klasa 10.9	14	34	67	117	185	285

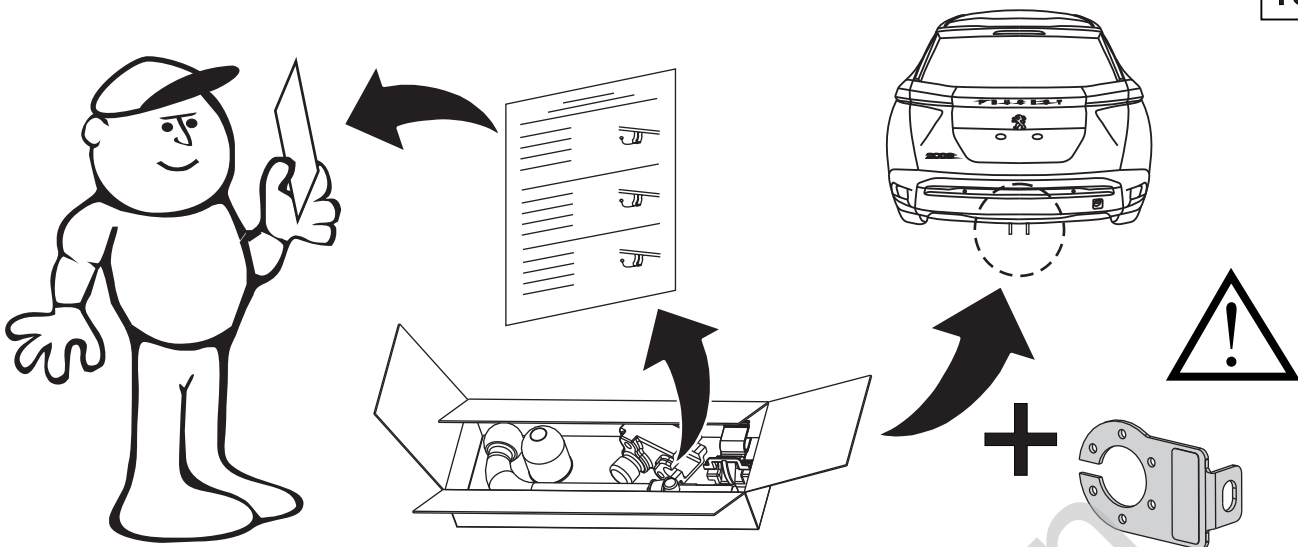
 0 km →  1000 km



 1	x1		7 M10x40	x6	
			8 M10x35	x2	
			9 M8x45	x1	
 F51A Art.nr-KL1F51A	x1		10 ϕ 30x ϕ 10.5x2.5 10 DIN 9021	x6	
			11 ϕ 10.5	x2	
			12 ϕ 8.4	x3	
 3 Art.nr-BL12F51A	x1		13 ϕ 10.2	x8	
				4 M12	x2
				15 M10	x2
 4	x2		16 M8 (DIN985)	x1	
 5	x4				
 6	x1				







Olifant trekhaken