

# PPUH AUTO-HAK Sp.J.

Henryk & Zbigniew Nejman  
ul. Słoneczna 16K 76-200 SŁUPSK  
POLAND

tel/fax +48 059 8-414-414; 8-414-413

e-mail: [office@autohak.com.pl](mailto:office@autohak.com.pl)

[www.autohak.com.pl](http://www.autohak.com.pl)



# AUTO-HAK



## PEUGEOT 308 II BREAK/SW KOMBI

Cat. no:

**F46A**



05.2014 →



E20-55R-01 4701



9,5 kN



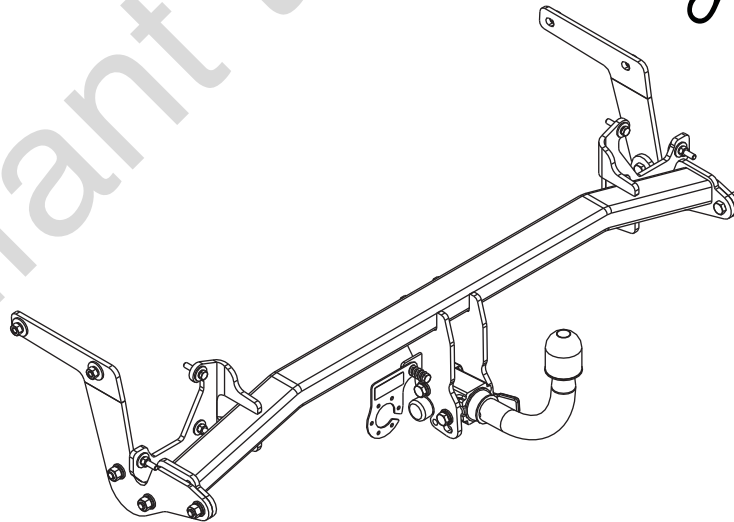
R=1750 kg



S=75 kg



2h



M6 - 8,5 Nm  
M10 - 41 Nm  
M14 - 112 Nm

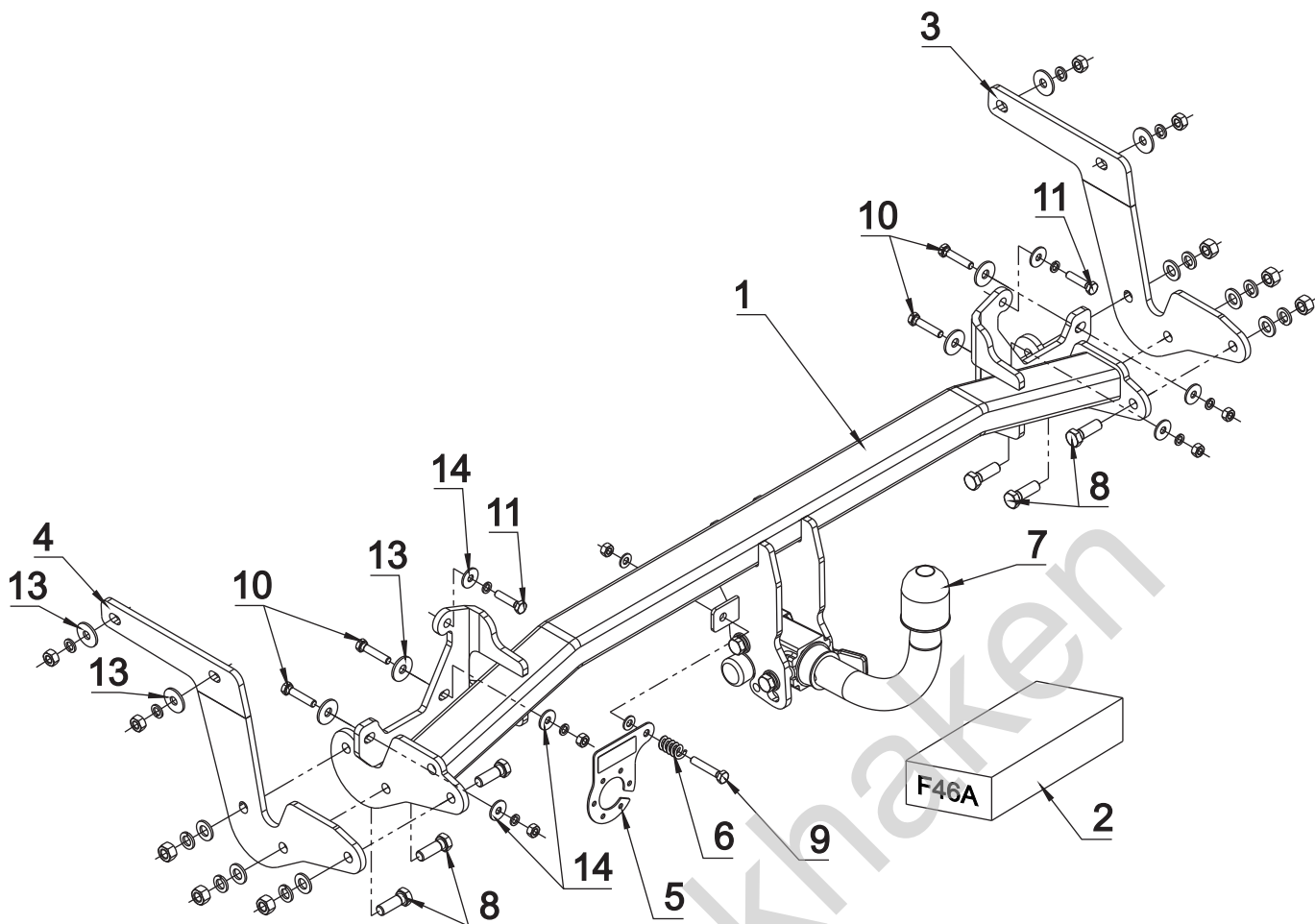
M8 - 20 Nm  
M12 - 70 Nm  
M16 - 170 Nm

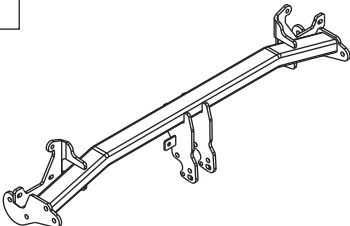

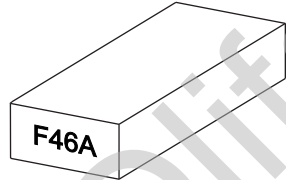






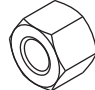




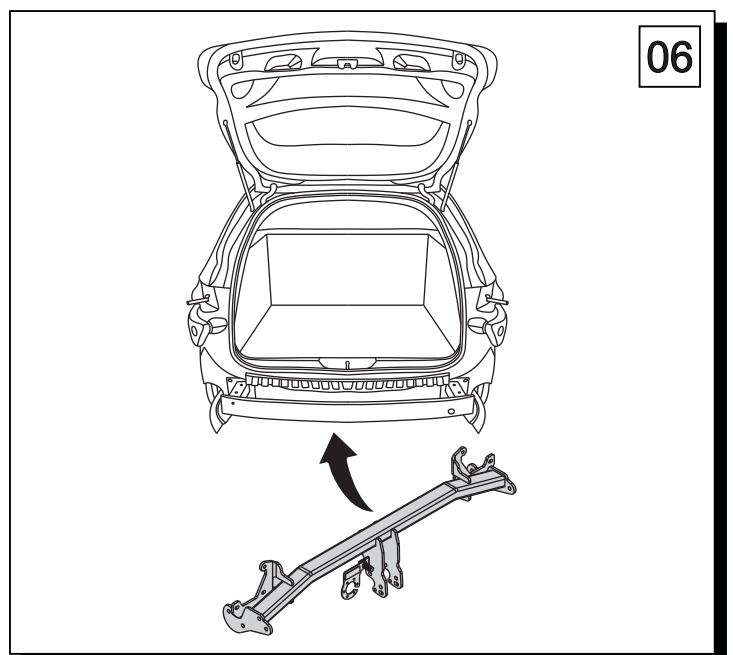
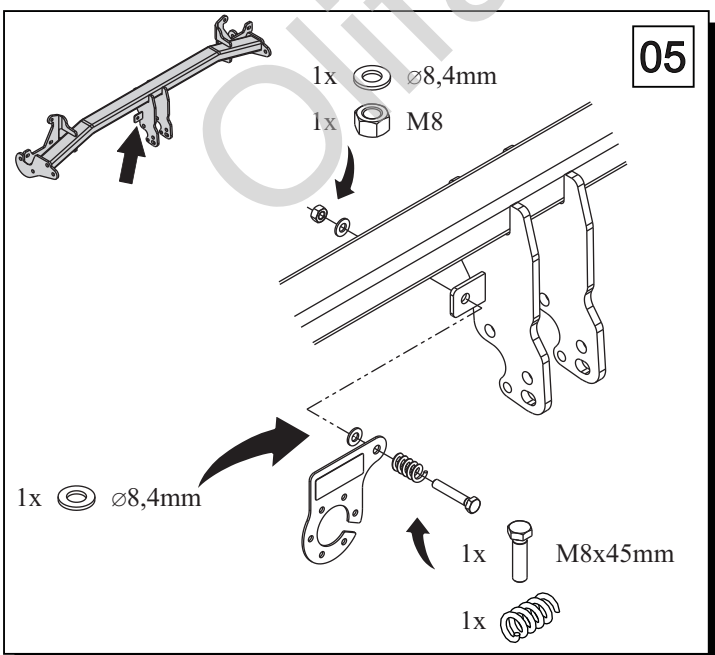
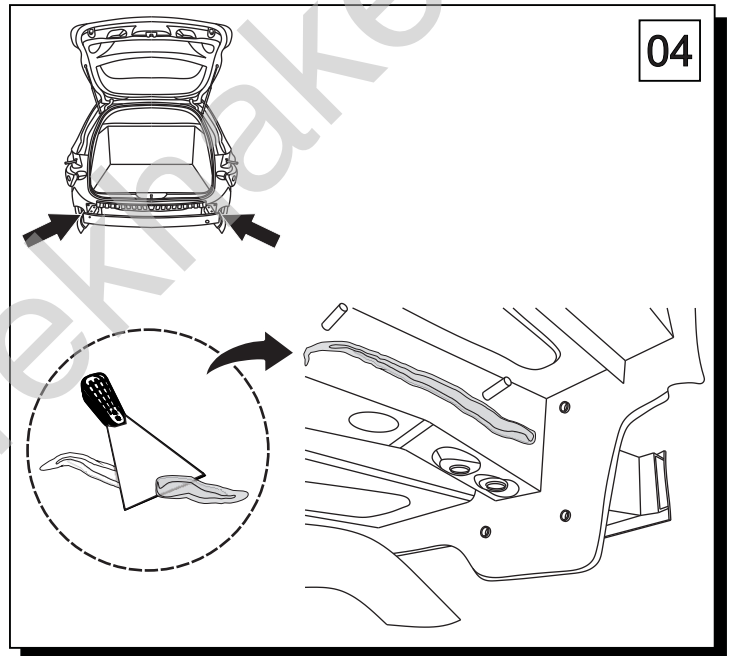
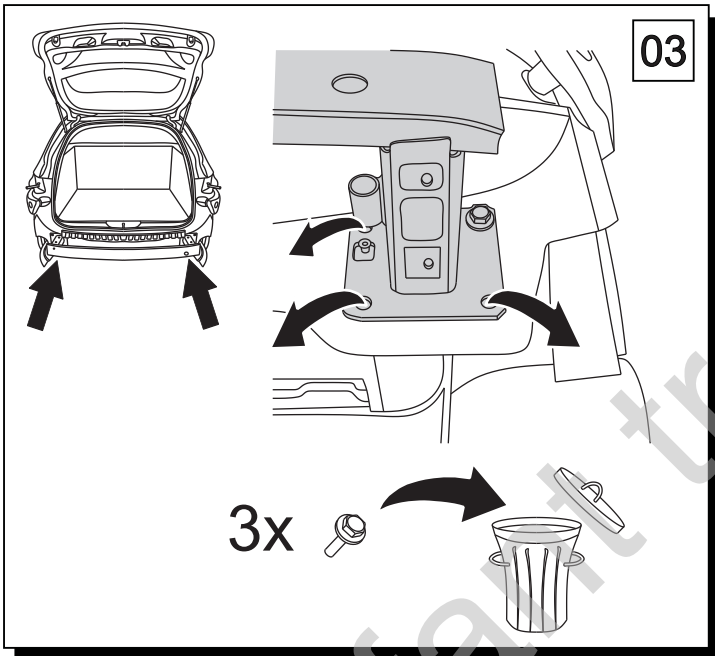
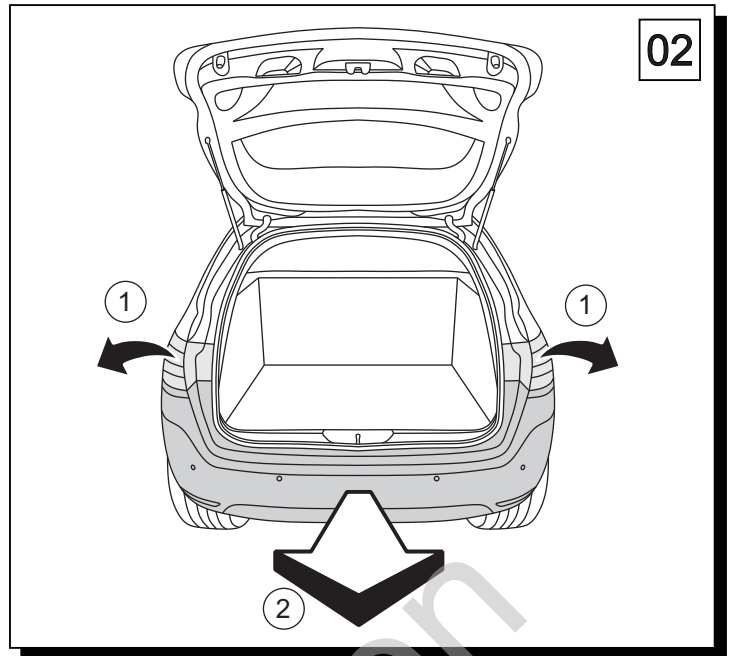
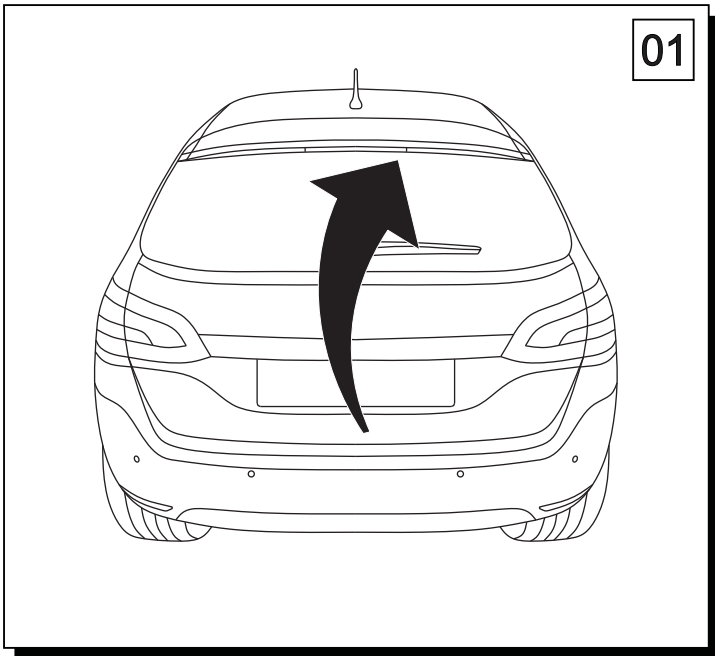
0 km →

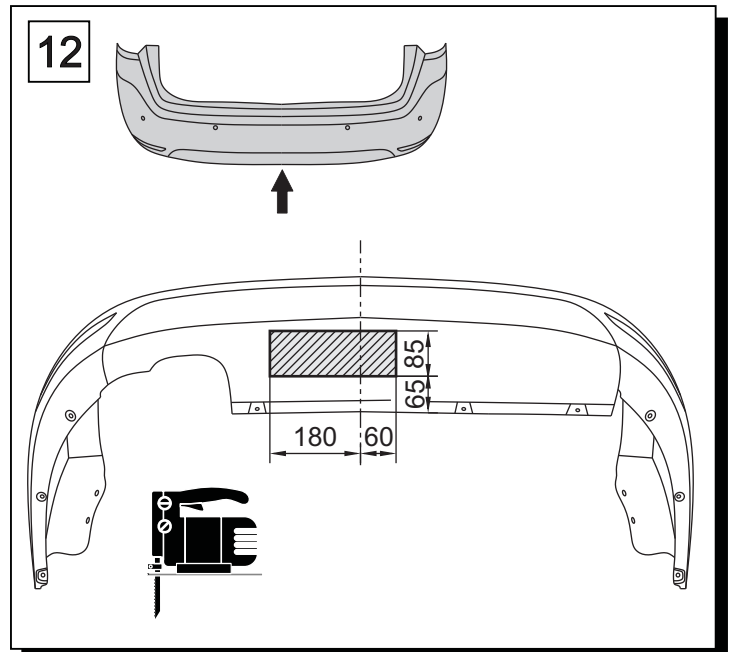
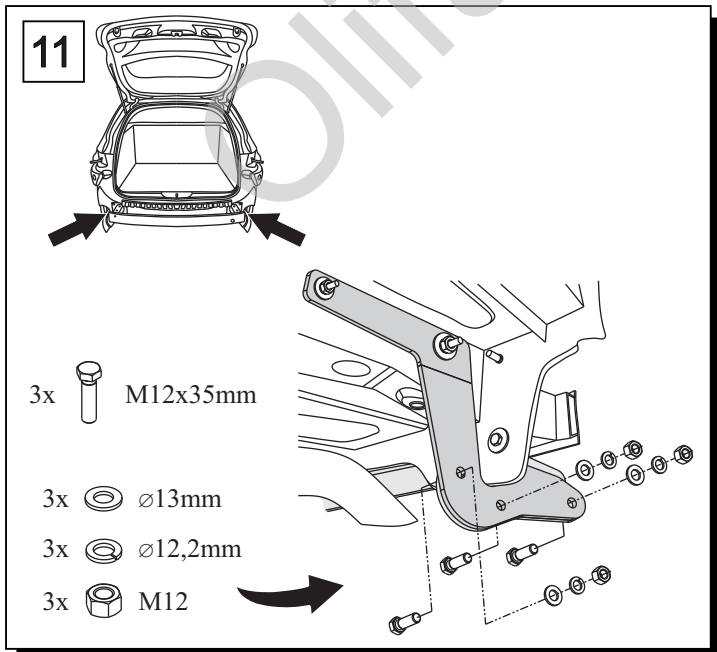
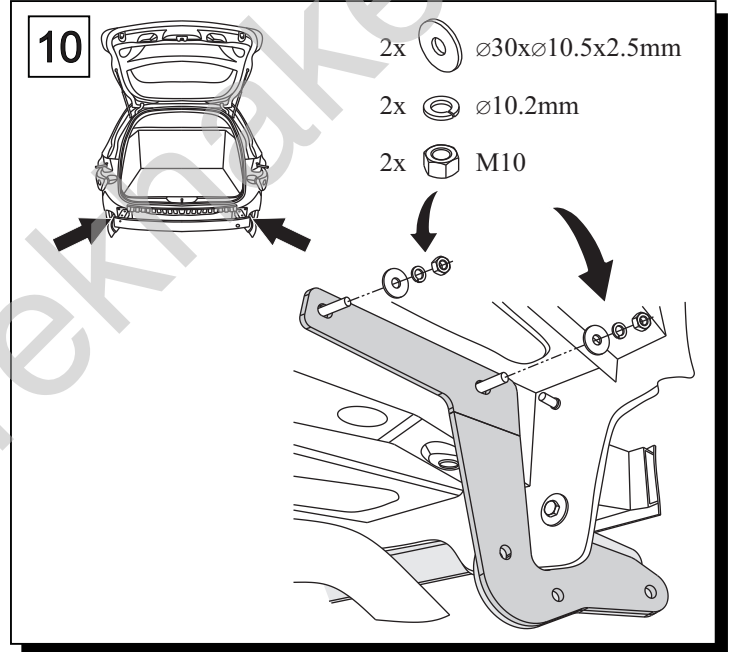
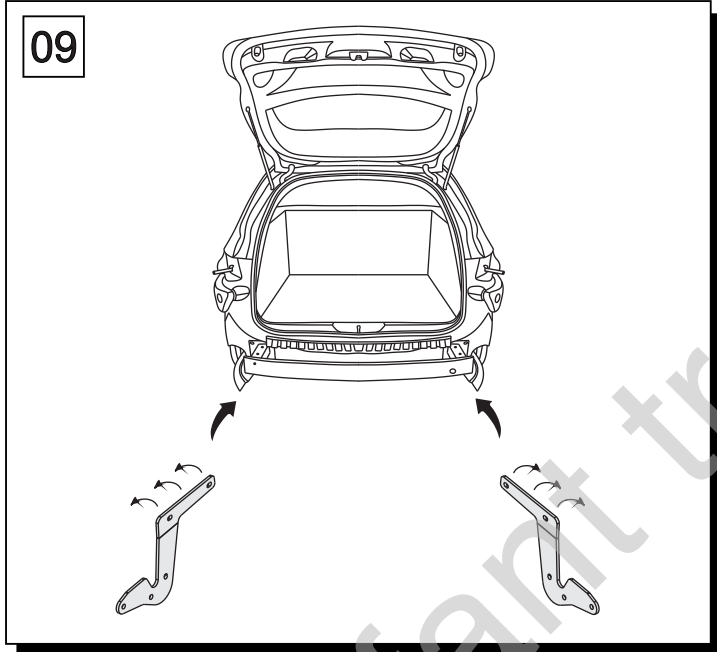
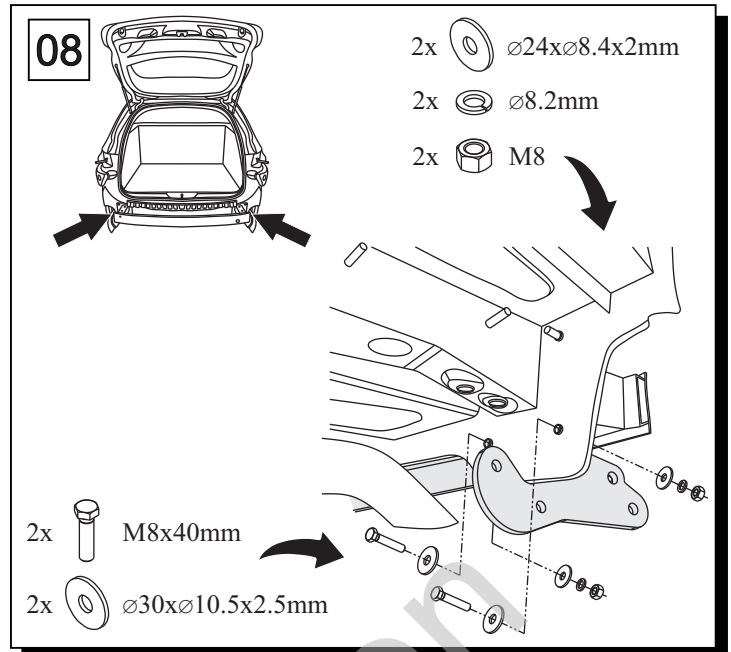
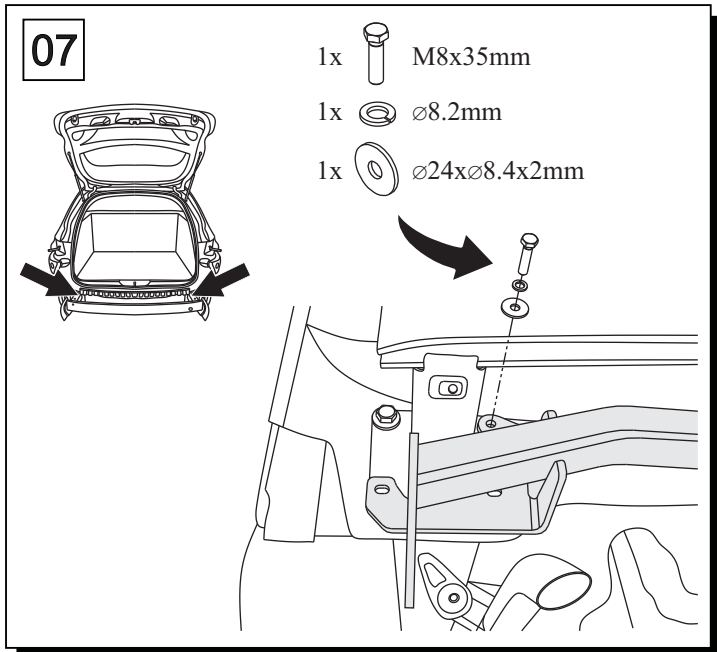


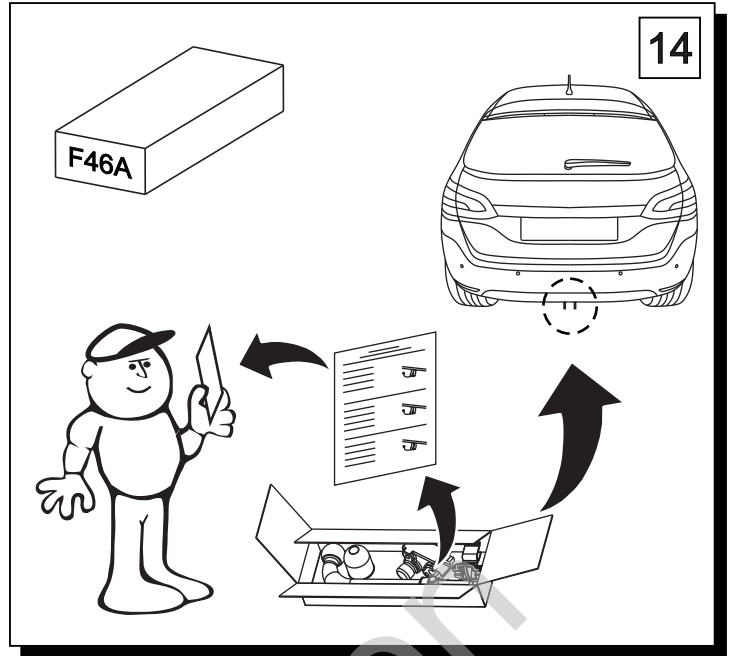
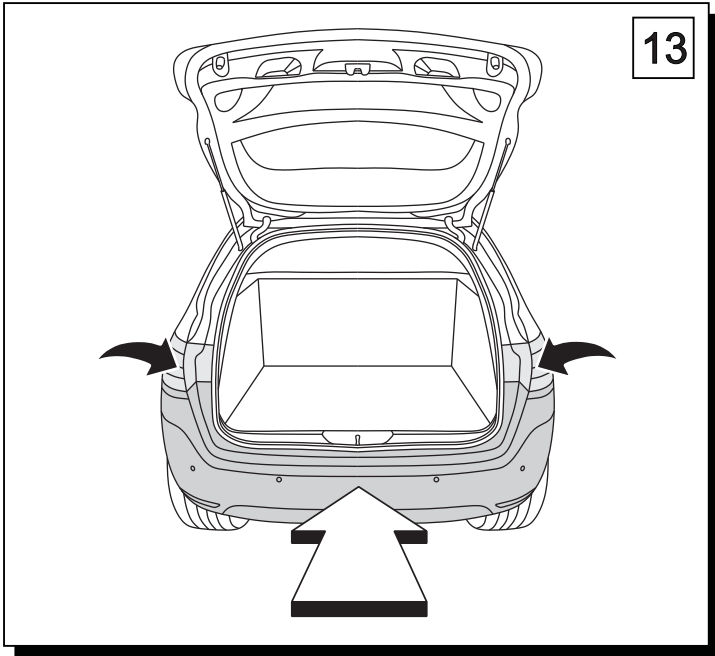
1000 km



1		x1		8	M12x35	x6
				9	M8x45	x1
2		x1		10	M8x40	x4
				11	M8x35	x2
				12	∅ 13	x6
				13	∅ 30x∅10.5x2.5 10 DIN 9021	8
3		x1		14	∅ 24x∅8.4x2 8 DIN 9021	6
				15	∅ 8.5	x2
				16	∅ 12.2	x6
4		x1		17	∅ 10.2	x4
				18	∅ 8.2	x6
5		x1		19	M12	x6
				20	M10	x4
6		x1		21	M8	x5
7		x1				







Olifant trekhaker