

PPUH AUTO-HAK Sp.J.

Henryk & Zbigniew Nejman
ul. Słoneczna 16K 76-200 SŁUPSK
POLAND

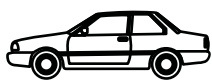
tel/fax +48 059 8-414-414; 8-414-413

e-mail: office@autohak.com.pl

www.autohak.com.pl



AUTO-HAK



PEUGEOT 508
4D, ~~GT~~, ~~HDI~~ 2.2L

Cat. no:

F45A



06.2014 →



E20-55R-01 4692



10,19 kN



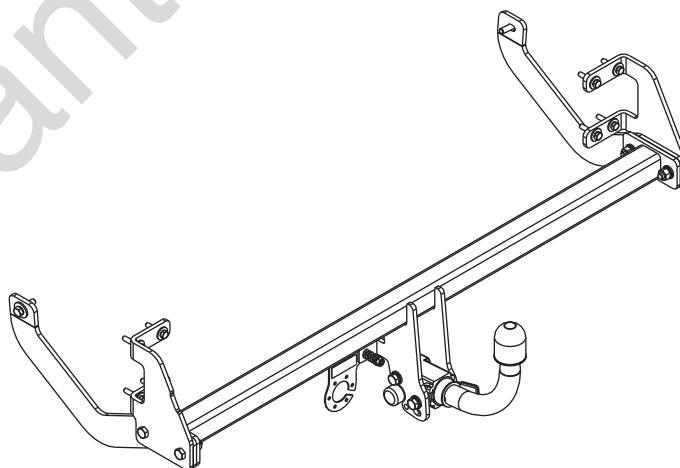
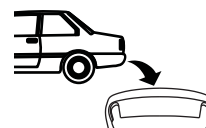
R=1900 kg



S=75 kg



2h



M6 - 11 Nm
M10 - 50 Nm
M14 - 138 Nm

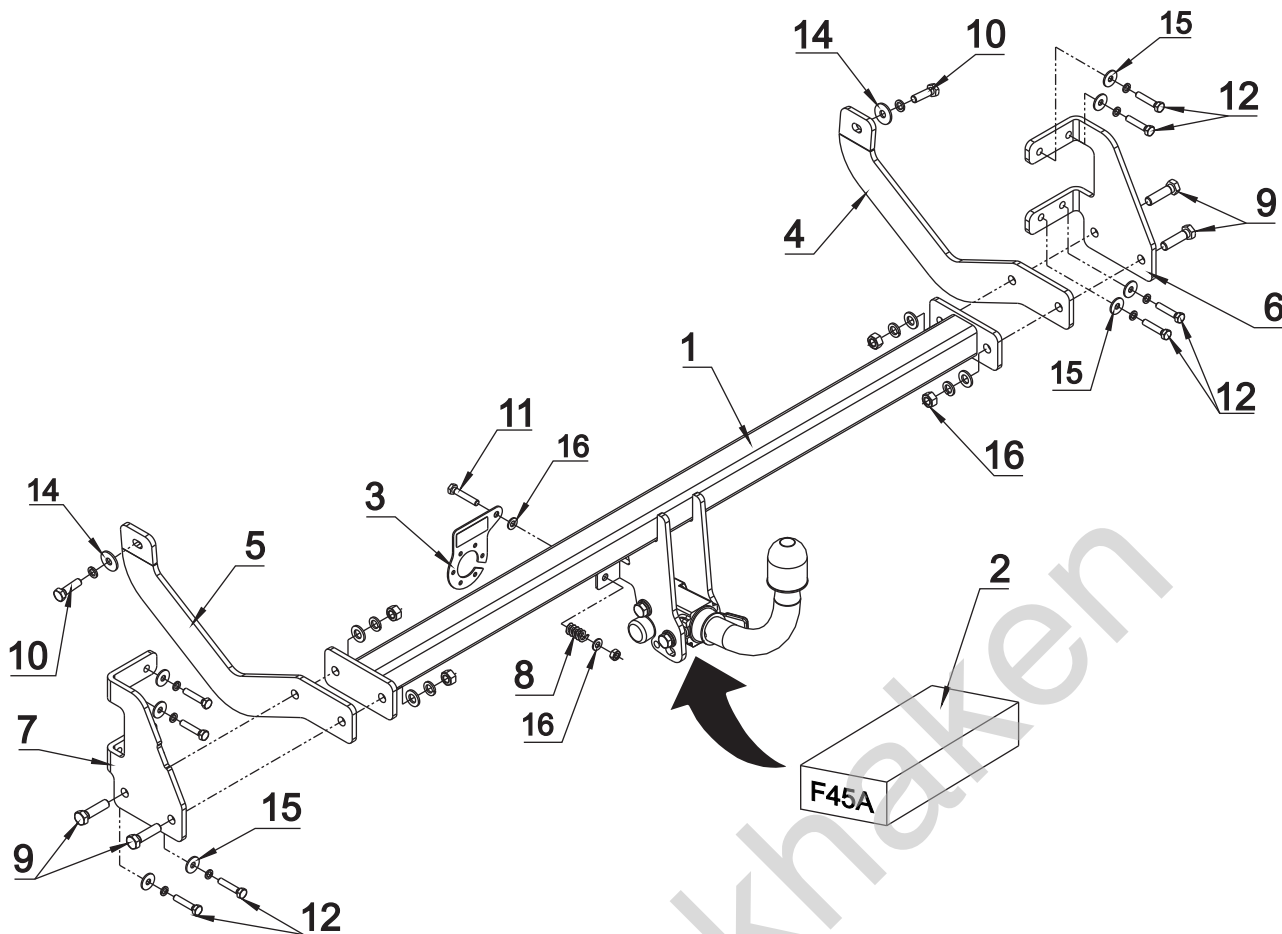
M8 - 25 Nm
M12 - 87 Nm
M16 - 210 Nm

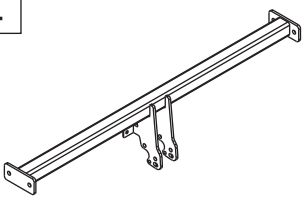

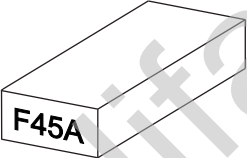






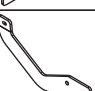

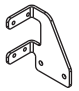





0 km →

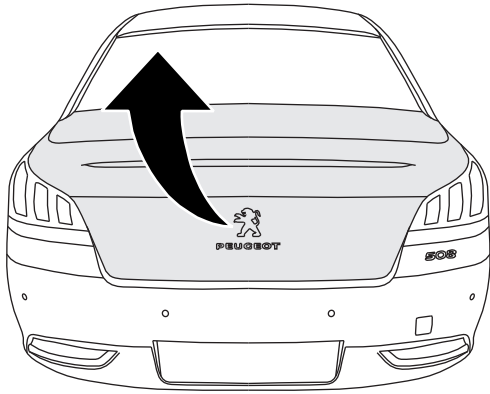


1000 km

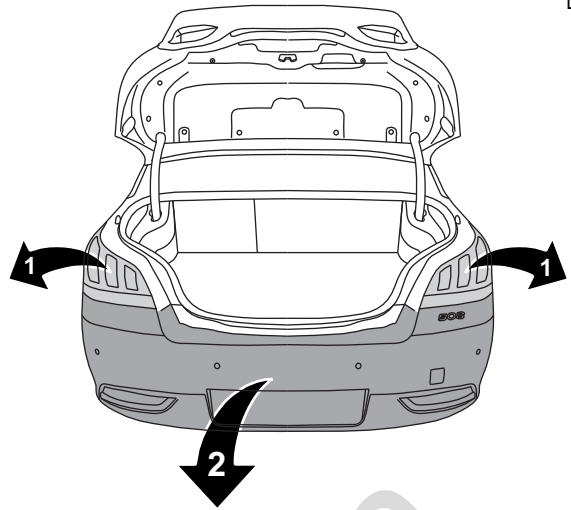


	x1		9 M12x45 x4
			10 M10x35 x2
	x1		11 M8x45 x1
			12 M8x40 x8
3	x1		13 ϕ 13 x4
	x1		14 ϕ 30x ϕ 10.5x2.5 10 (DIN 9021) x2
4	x1		15 ϕ 24x ϕ 8.5x2 8 (DIN 9021) x8
	x1		16 ϕ 8.4 x2
5	x1		17 ϕ 12.2 x4
	x1		18 ϕ 10.2 x2
6	x1		19 ϕ 8.2 x8
	x1		20 M12 x4
7	x1		21 M8 x1
	x1		
8	x1		
	x1		

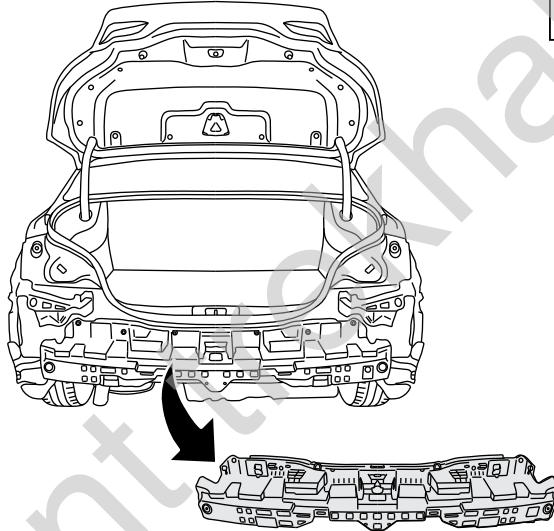
01



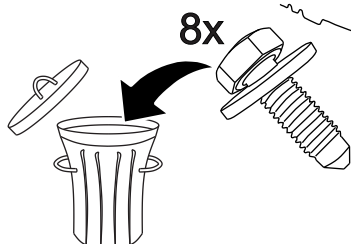
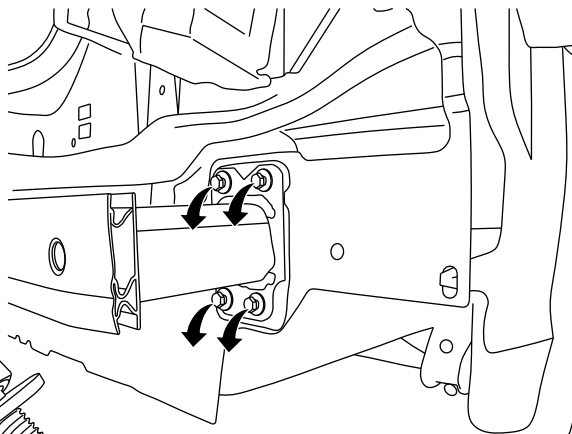
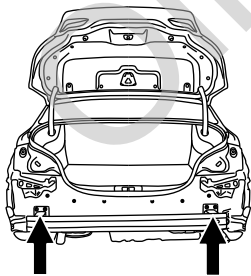
02



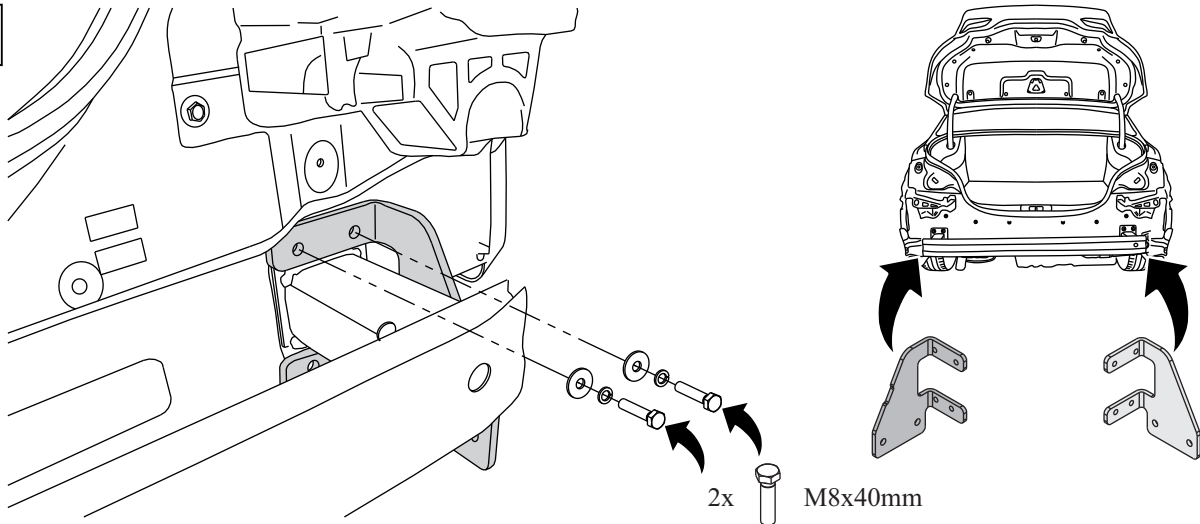
03






04

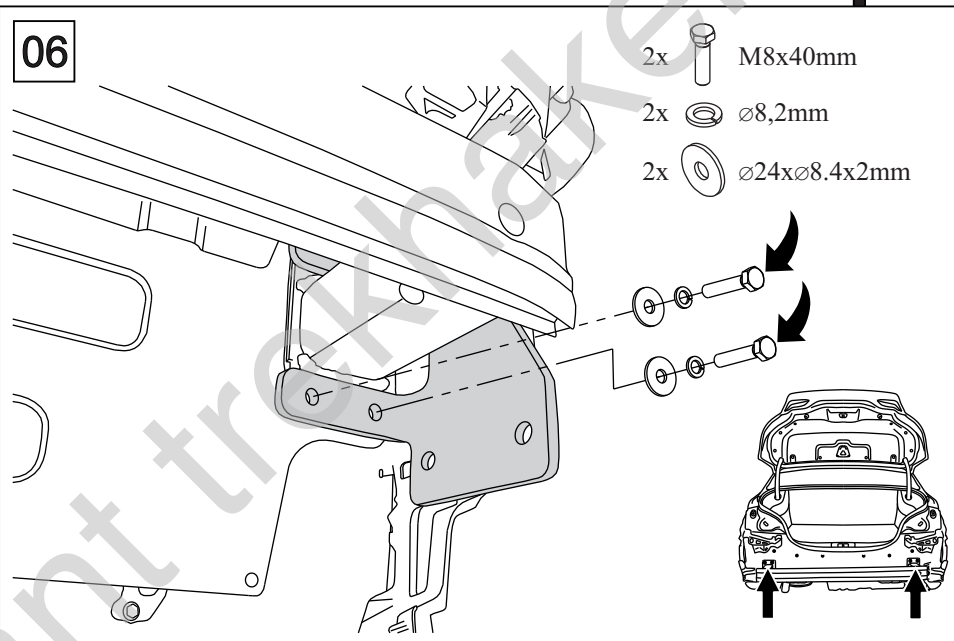


05



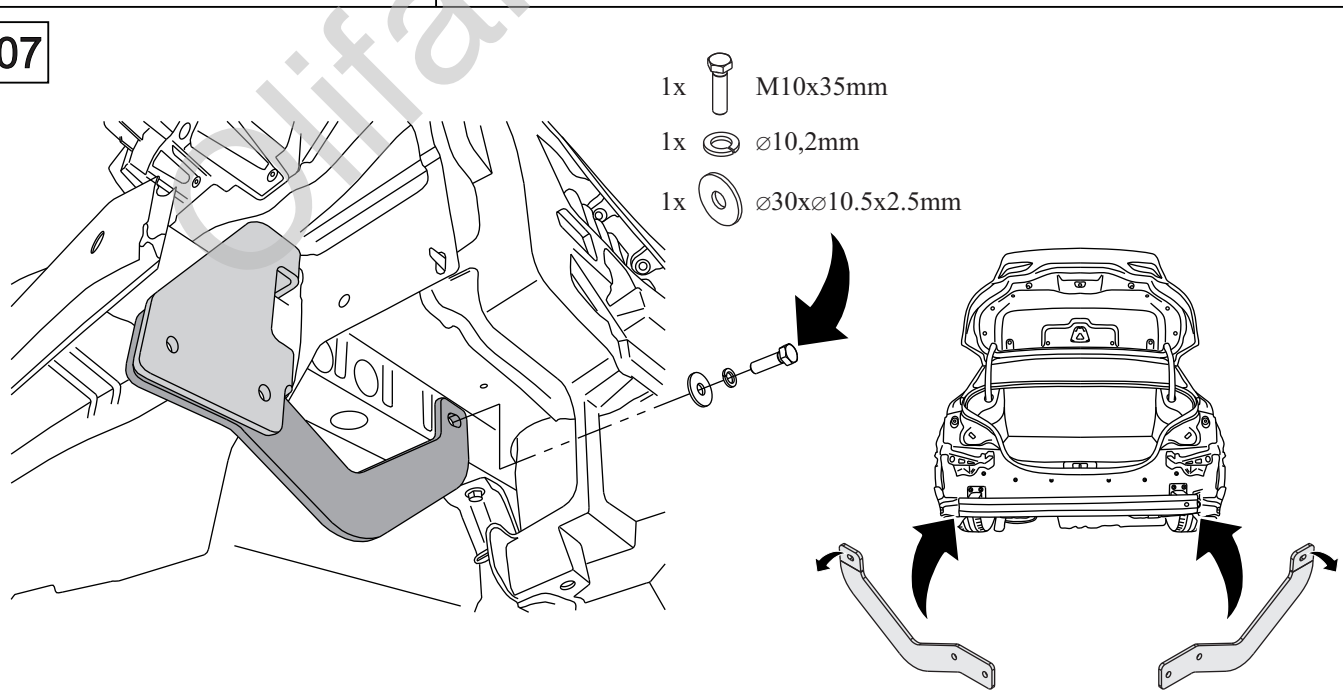
- 2x  M8x40mm
- 2x  $\varnothing 8,2\text{mm}$
- 2x  $\varnothing 24 \times \varnothing 8.4 \times 2\text{mm}$




06



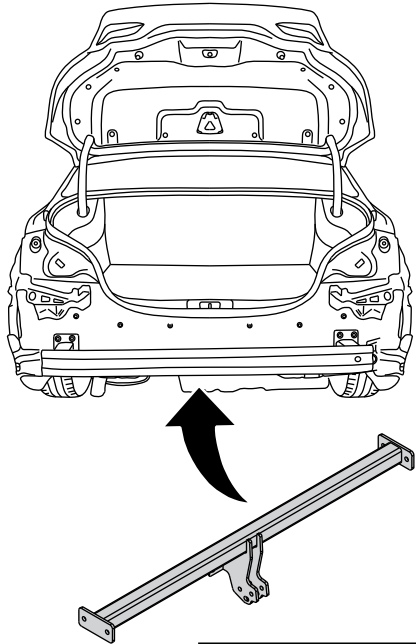
- 2x  M8x40mm
- 2x  $\varnothing 8,2\text{mm}$
- 2x  $\varnothing 24 \times \varnothing 8.4 \times 2\text{mm}$

07

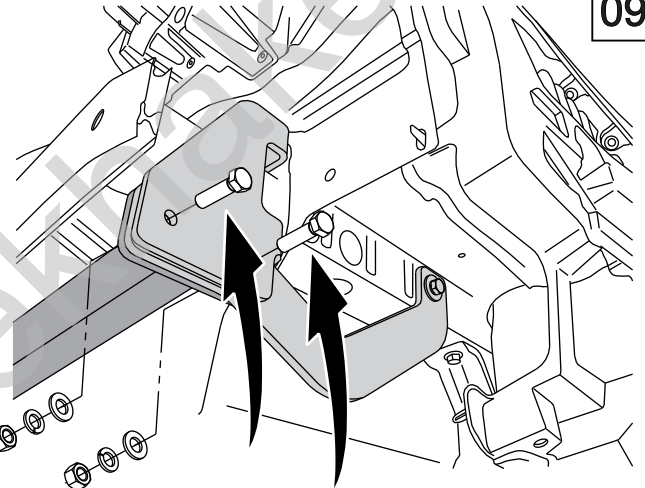
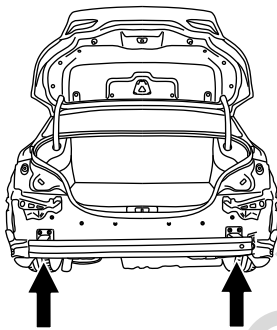


- 1x  M10x35mm
- 1x  $\varnothing 10,2\text{mm}$
- 1x  $\varnothing 30 \times \varnothing 10.5 \times 2.5\text{mm}$

08



09



2x  $\varnothing 13\text{mm}$

2x  $\varnothing 12,2\text{mm}$

2x  M12

2x  M12x45mm

10

