

PPUH AUTO-HAK Sp.J.

Henryk & Zbigniew Nejman
ul. Słoneczna 16K 76-200 SŁUPSK
POLAND

tel/fax +48 059 8-414-414; 8-414-413

e-mail: office@autohak.com.pl

www.autohak.com.pl



AUTO-HAK



PEUGEOT 308 II
5D, ~~GTL~~, ~~SPORT~~

Cat. no:

F44A



09.2013 →



E20-55R-01 4549



7,68 kN



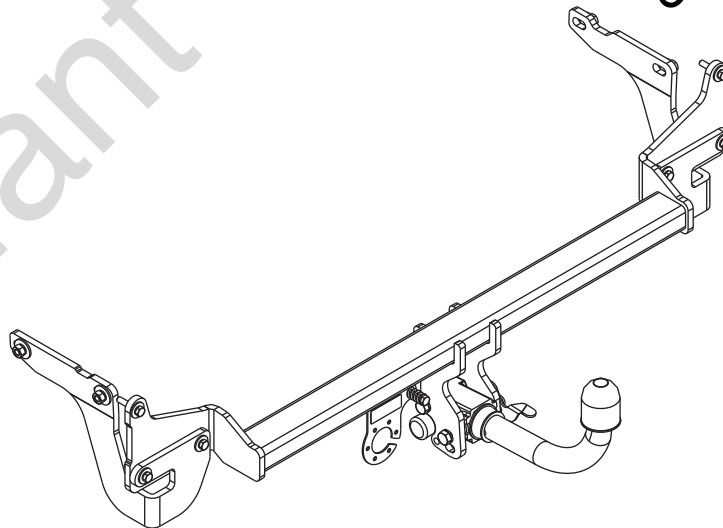
R=1400 kg



S=75 kg



2h



M6 - 11 Nm
M10 - 50 Nm
M14 - 138 Nm

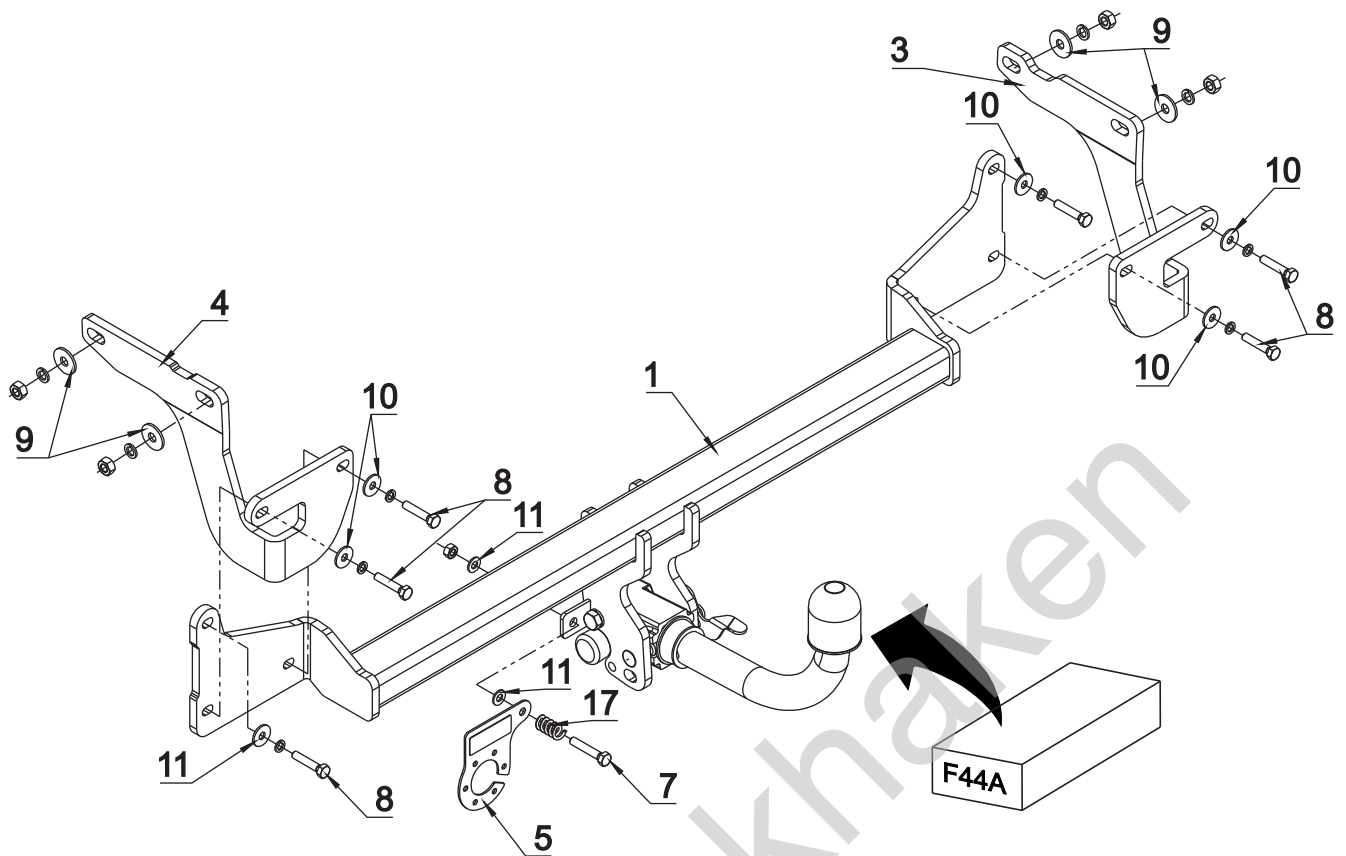
M8 - 25 Nm
M12 - 87 Nm
M16 - 210 Nm

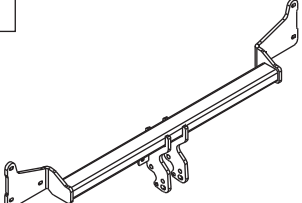


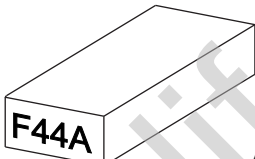


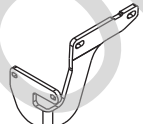


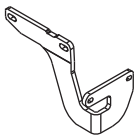


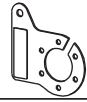



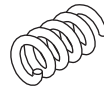


0 km →

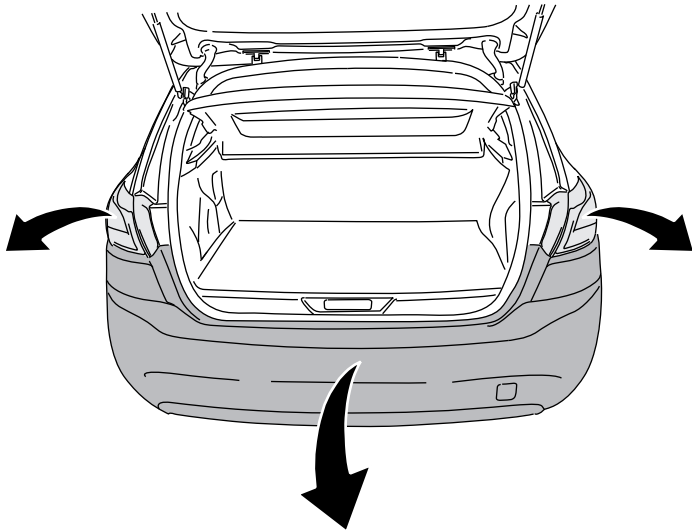


1000 km

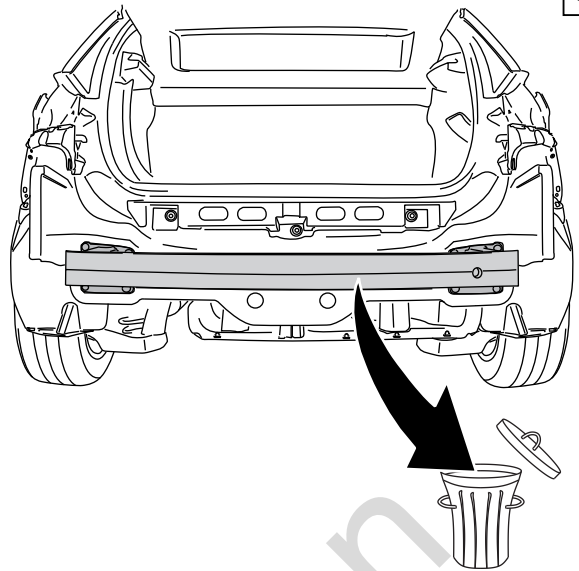


1		x1		7	M8x45	x1
					8	M8x40
2		x1		9	Ø 30xØ10.5x2.5 10 (DIN 9021)	x4
					10	Ø 24xØ8.5x2 8 (DIN 9021)
3		x1		11	Ø 8.4	x2
					12	Ø 12.2
4		x1		13	Ø 10.2	x4
					14	Ø 8.2
5		x1		15	M10	x4
					16	M8
6		x1		17		x1

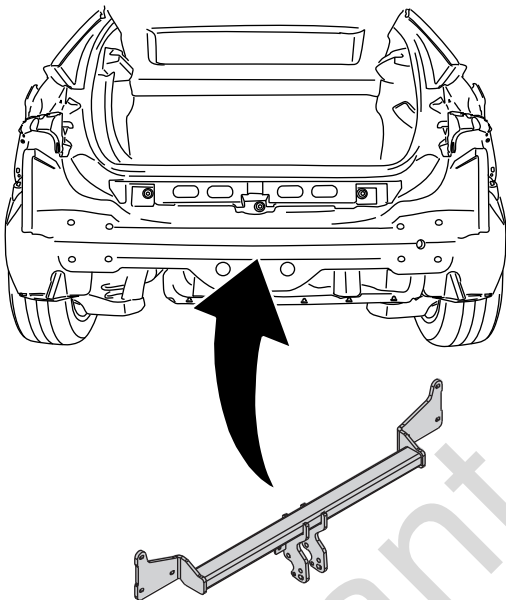
01



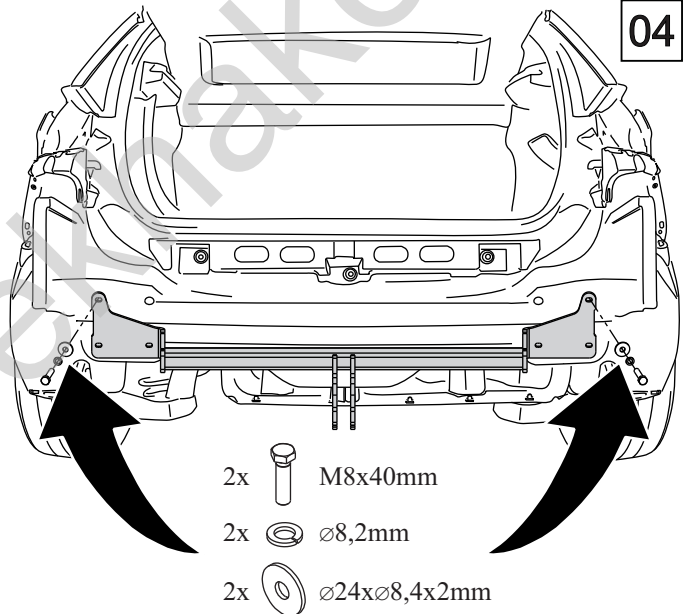
02



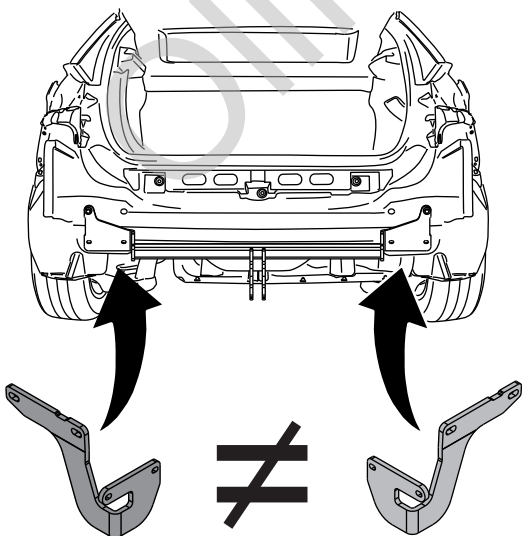
03



04



05



06

