

PPUH AUTO-HAK Sp.J.

Henryk i Zbigniew Nejman
ul. Słoneczna 16K 76-200 SŁUPSK
POLAND

tel/fax +48 59 8 414 414; +48 59 8 414 413

e-mail: office@autohak.com.pl

www.autohak.com.pl



AUTO-HAK

PEUGEOT 308 3/5 D, ~~GTI~~, ! po liftingu !

Cat. no:

F42A



2010 → 08.2013



E20-55R-01 3462

D

9,22 kN



R=1700 kg



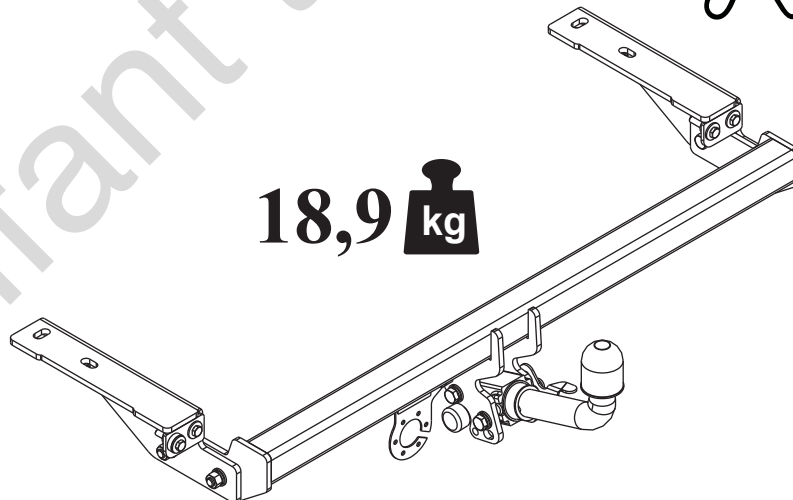
S=76 kg



1,5h



18,9  kg



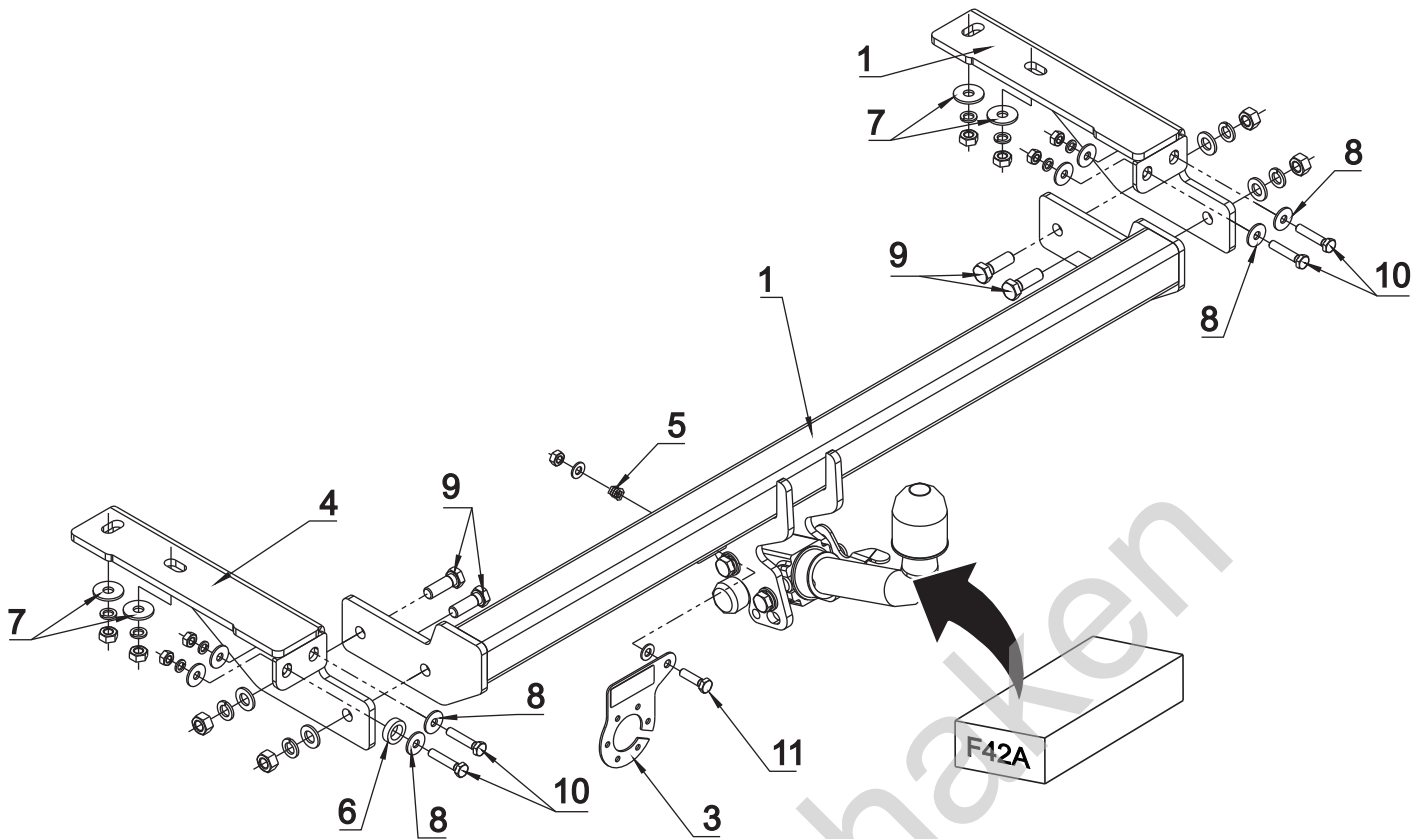
śruba	Nm	M6	M8	M10	M12	M14	M16
klasa 8.8		9,9	24	48	83	132	200
klasa 10.9		14	34	67	117	185	285

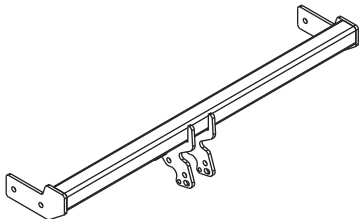


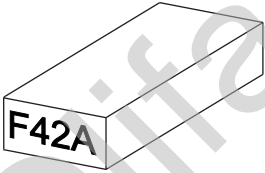

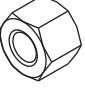
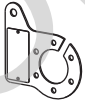

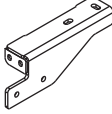






0 km →



1000 km



	x1		6	$\phi 25 \times \phi 16, L=7$	x1	
				7	$\phi 30 \times \phi 10.5 \times 2.5$	x4
				8	$\phi 24 \times \phi 8.5 \times 2$	x8
				x1		9
10	M8x40	x4				
11	M8x45	x1				
	12	M12				x4
	13	M10				x4
	x1		14	M8	x5	
			15	$\phi 13$	x4	
	x2		16	$\phi 8$	x2	
				x1		17
18	$\phi 10.2$	x4				
19	$\phi 8.2$	x4				
		20		x1		

