

AUTO-HAK Sp. z o.o.

ul. Słoneczna 16K 76-200 SŁUPSK
POLAND

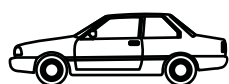
tel/fax +48 59 8 414 414; +48 59 8 414 413

e-mail: office@autohak.com.pl

www.autohak.com.pl



AUTO-HAK



CITROEN BERLINGO II (L2)

osobowy, dostawczy (L=4680mm)

PEUGEOT PARTNER II / TEPEE (L2)

osobowy, dostawczy (L=4680mm)

Cat. no:

F38A



05.2008 → 02.2018

e20

e20*94/20*1263*00



1,5h

D

8,69 kN



-



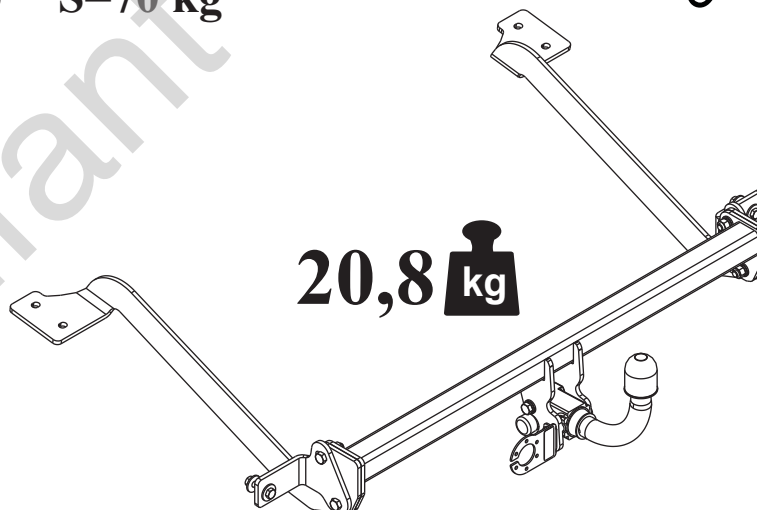
R=1600 kg



-



S=70 kg



M6 - 8,5 Nm
M10 - 41 Nm
M14 - 112 Nm

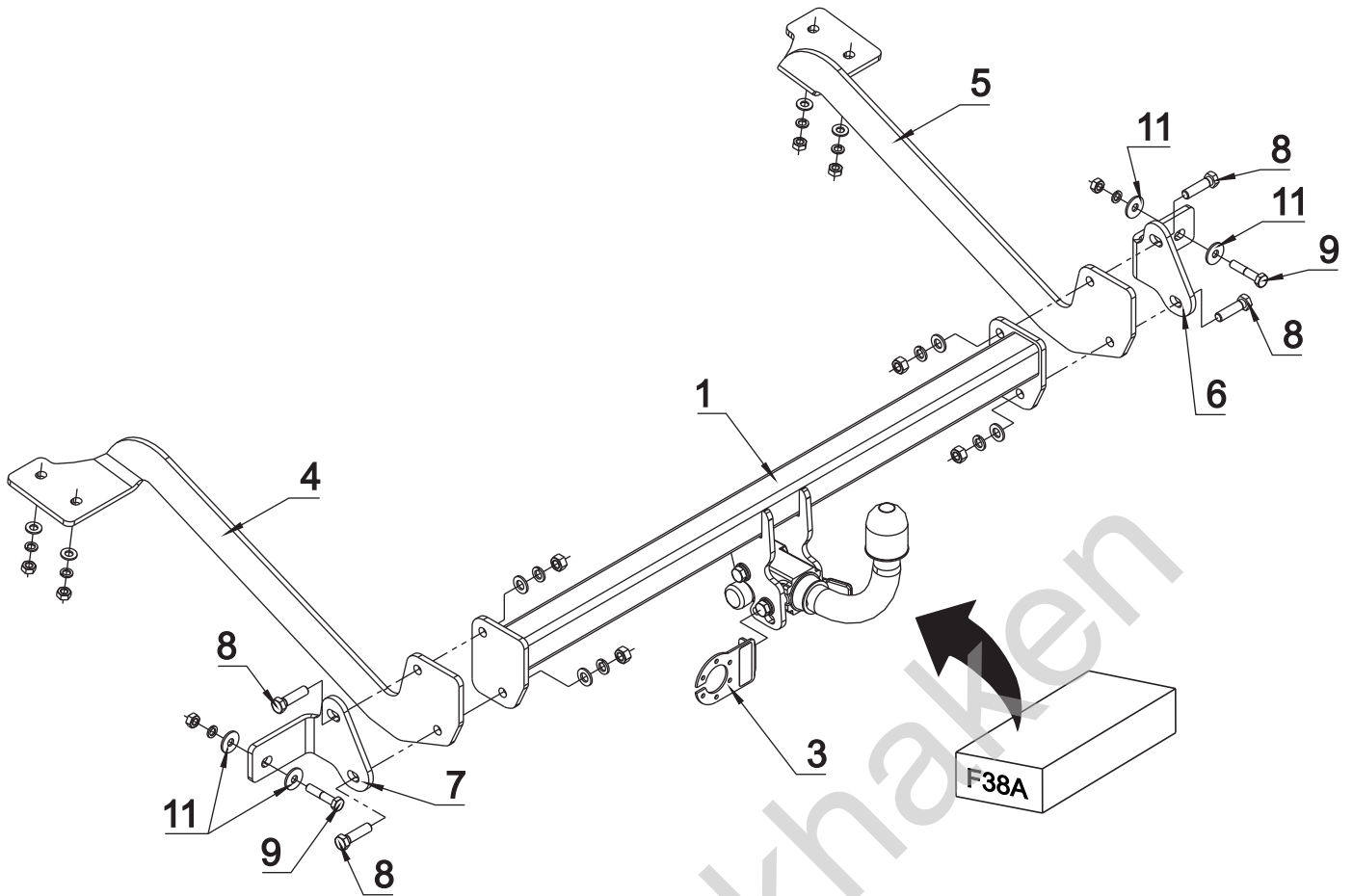
M8 - 20 Nm
M12 - 70 Nm
M16 - 170 Nm

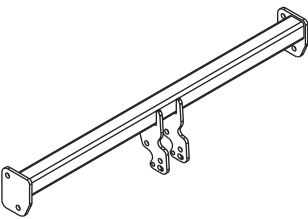

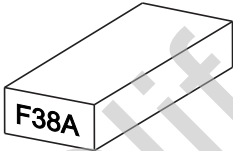

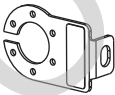


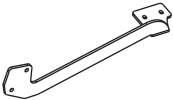
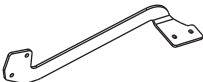

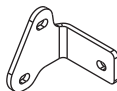


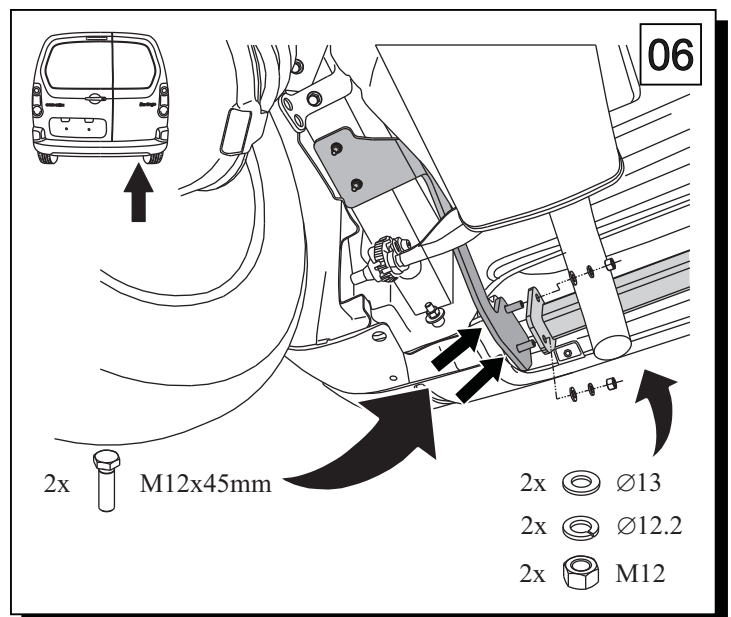
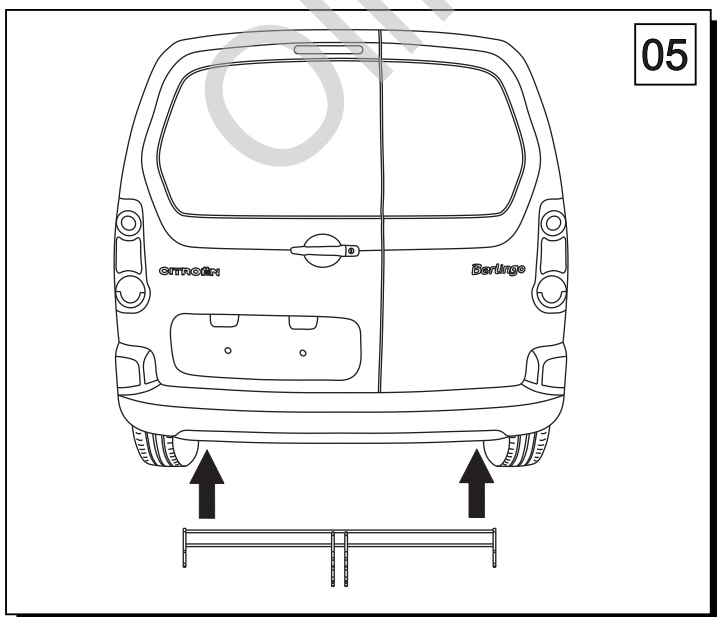
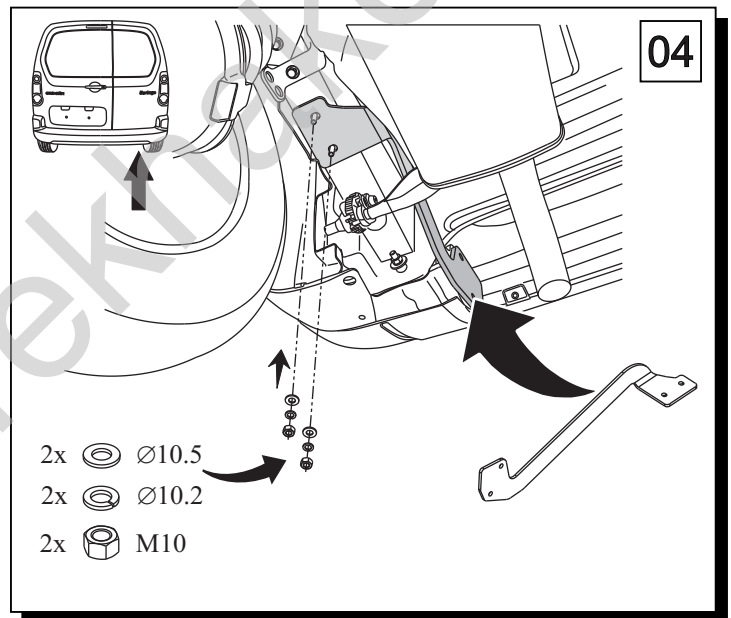
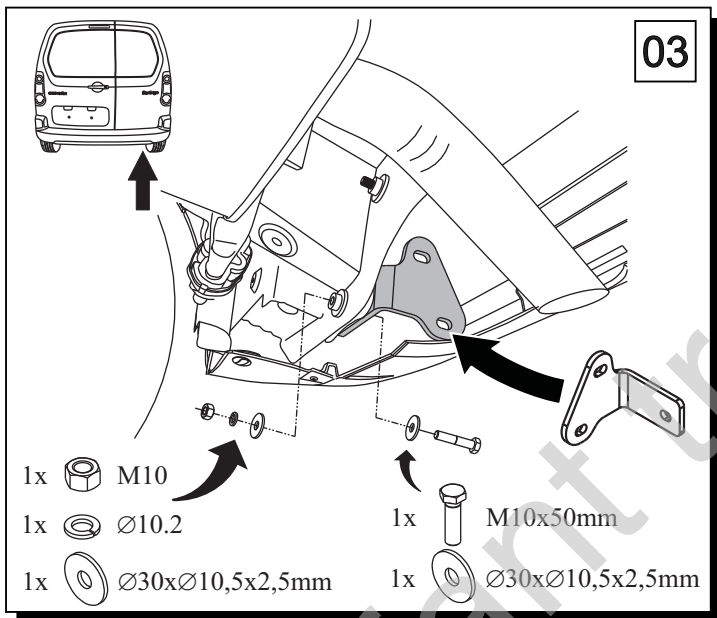
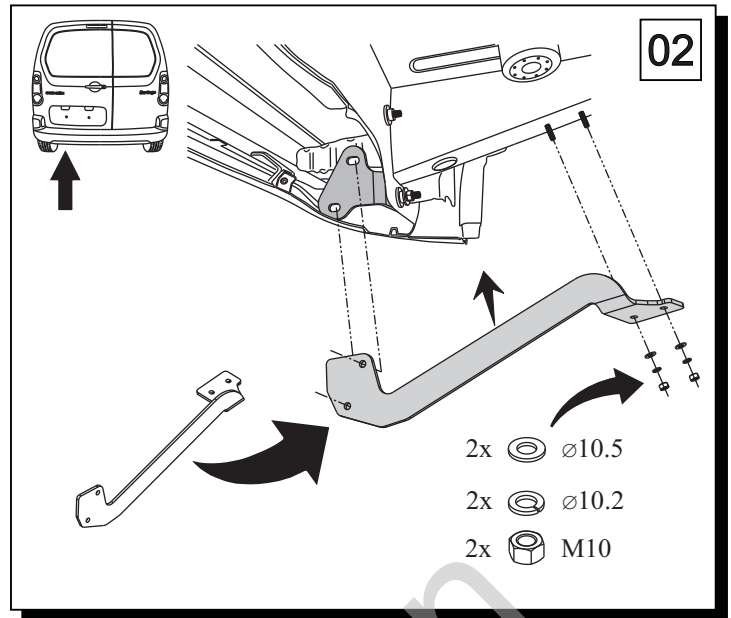
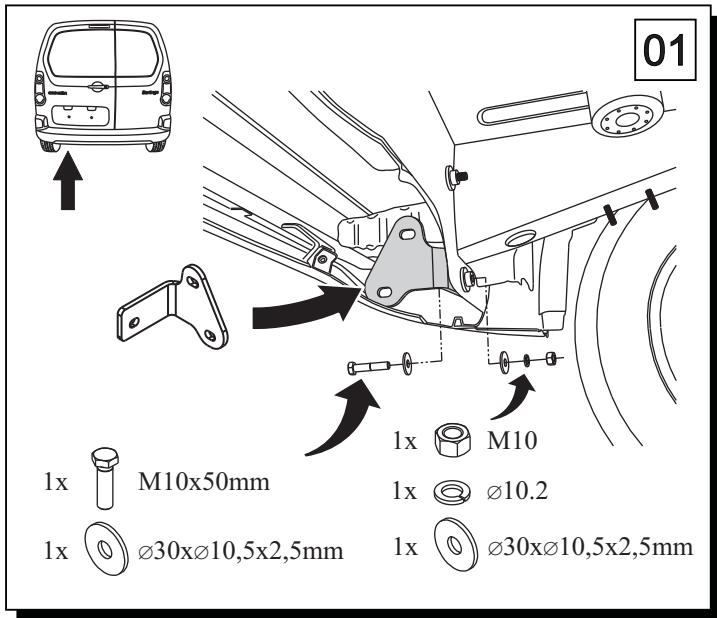
0 km →

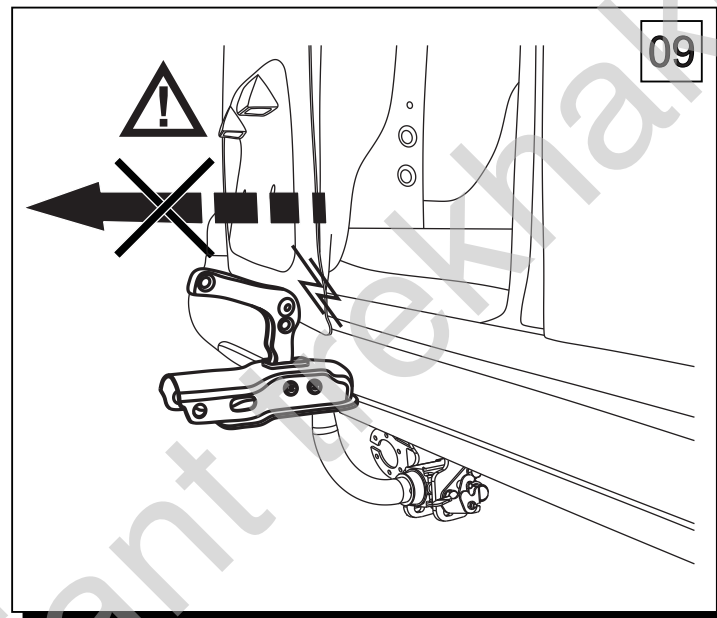
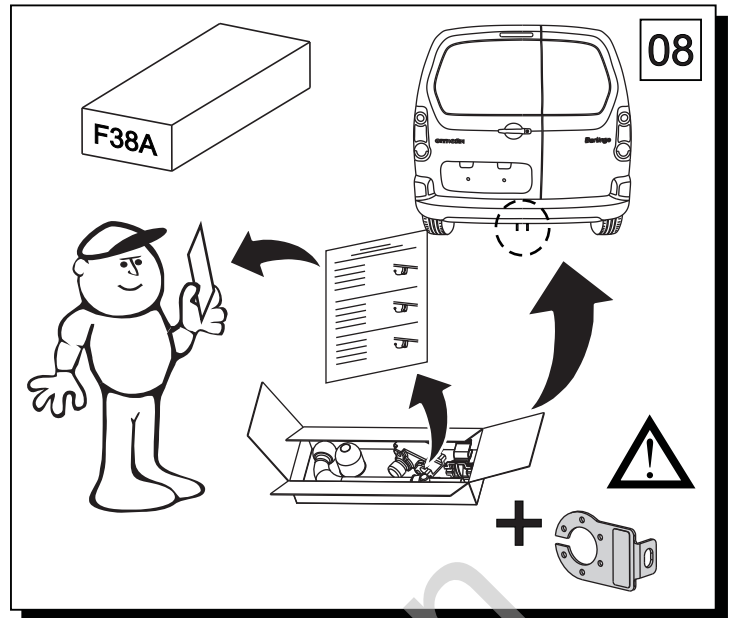
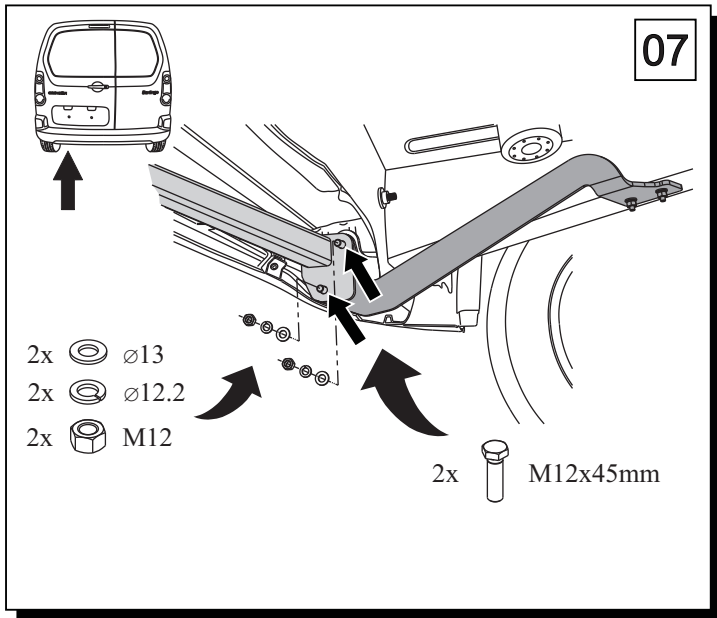



1000 km





1		x 1		8	M12x45	x 4
				9	M10x50	x 2
2		x 1		10	∅ 13	x 4
				11	∅ 30x∅10.5x2.5 10 DIN 9021	4
				12	∅ 10.5	x 4
				13	∅ 12.2	x 4
3		x 1		14	∅ 10.2	x 6
				15	M12	x 4
				16	M10	x 6
4		x 1				
5		x 1				
6		x 1				
7		x 1				



M6	-	11 Nm	M8	-	25 Nm
M10	-	50 Nm	M12	-	87 Nm
M14	-	138 Nm	M16	-	210 Nm

 **0 km** →  **1000 km**