

PPUH AUTO-HAK Sp.J.

Henryk i Zbigniew Nejman
ul. Słoneczna 16K 76-200 SŁUPSK
POLAND

tel/fax +48 59 8 414 414; +48 59 8 414 413

e-mail: office@autohak.com.pl

www.autohak.com.pl



AUTO-HAK



**PEUGEOT 5008
VAN**

Cat. no:

F37A



10.2009 → 04.2017

e20

e20*94/20*1234*00

D

9,71 kN



1,5h



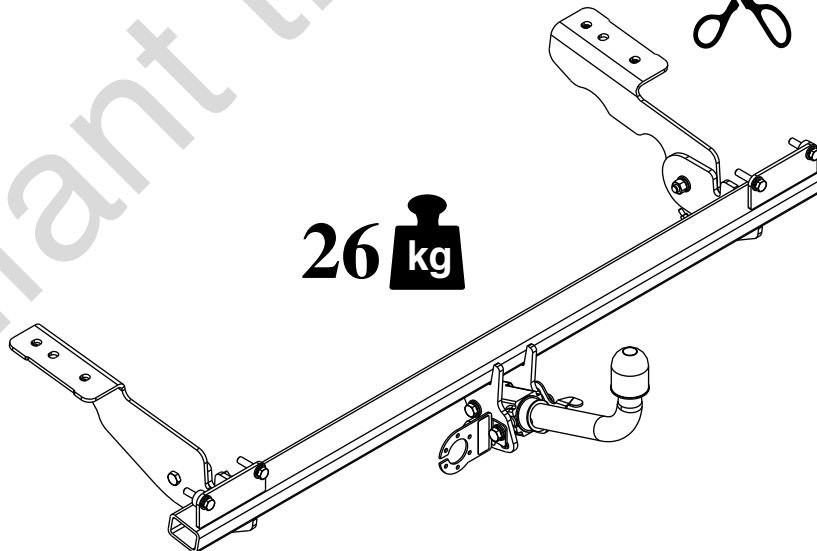
R=1800 kg



S=100 kg



26 kg



**M6 - 11 Nm
M10 - 50 Nm
M14 - 138 Nm**

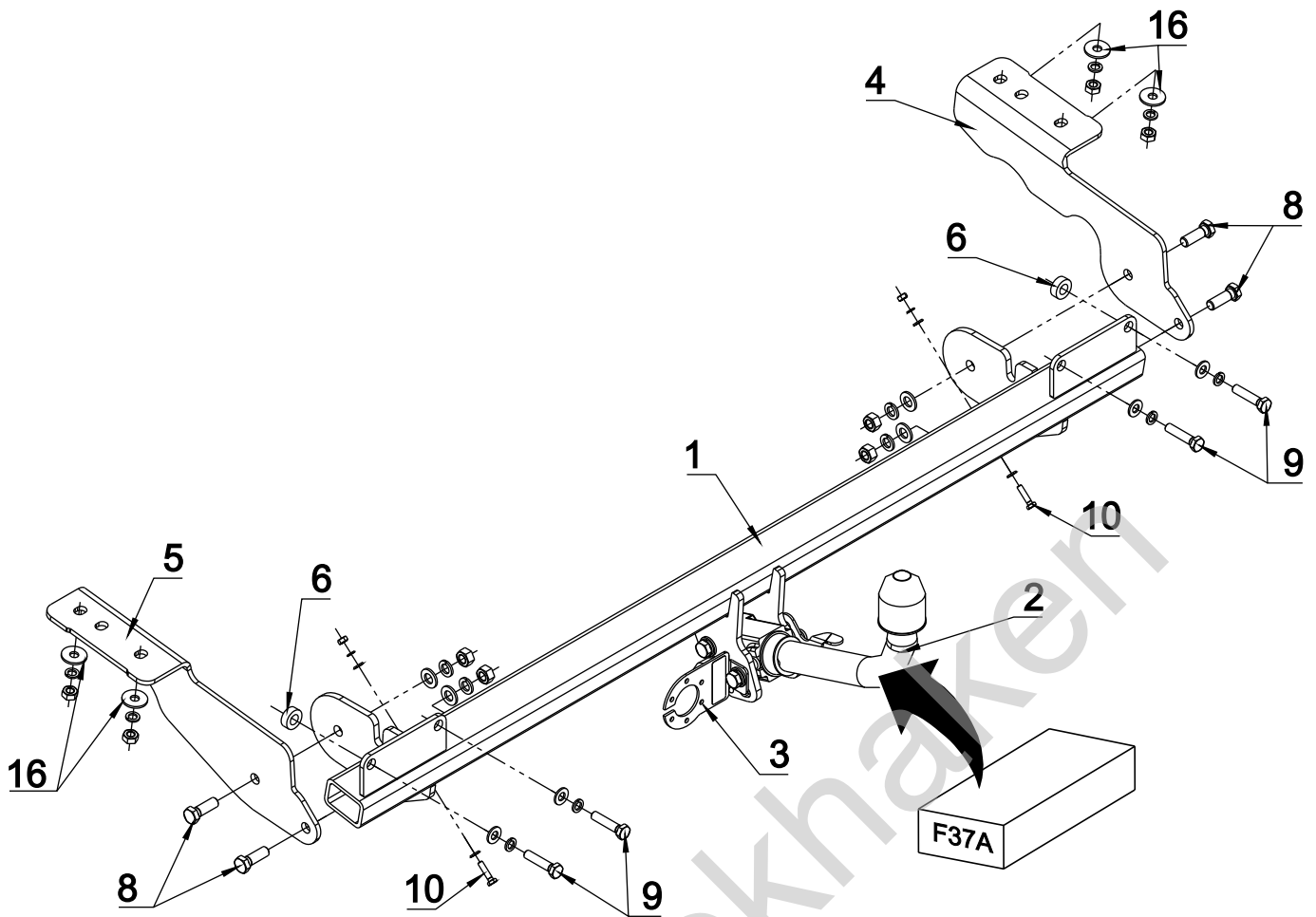
**M8 - 25 Nm
M12 - 87 Nm
M16 - 210 Nm**

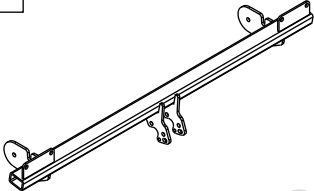

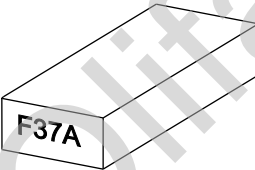

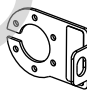

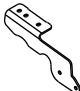

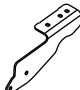



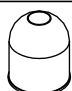




0 km →



1000 km



| | | | | | | |
|---|---|-----|---|----|----------------|-----|
| 1 |  | x 1 |  | 8 | M 12x35 | x 4 |
| | | | | 9 | M 10x45 | x 4 |
| 2 |  | x 1 |  | 10 | M 6x25 | x 2 |
| | | | | 11 | M 12 | x 4 |
| 3 |  | x 1 |  | 12 | M 10 | x 4 |
| | | | | 13 | M 6 | x 2 |
| 4 |  | x 1 |  | 14 | ∅ 13 | x 4 |
| | | | | 15 | ∅ 10.5 | x 4 |
| 5 |  | x 1 |  | 16 | ∅ 30x∅10.5x2.5 | x 4 |
| | | | | 17 | 10 – DIN 9021 | x 4 |
| 6 |  | x 2 |  | 18 | ∅ 6.4 | x 4 |
| | | | | 19 | ∅ 12.2 | x 4 |
| 7 |  | x 1 |  | 20 | ∅ 10.2 | x 8 |
| | | | | 20 | ∅ 6.1 | x 2 |
| 6 |  | x 2 | | | | |
| | | | | | ∅25x∅13, L=9mm | |

