

# PPUH AUTO-HAK Sp.J.

Henryk i Zbigniew Nejman  
ul. Słoneczna 16K 76-200 SŁUPSK  
POLAND

tel/fax +48 59 8 414 414; +48 59 8 414 413

e-mail: [office@autohak.com.pl](mailto:office@autohak.com.pl)

[www.autohak.com.pl](http://www.autohak.com.pl)



# AUTO-HAK

## PEUGEOT 308 SW (KOMBI)

Cat. no:

**F33A**



04.2008 → 04.2014

e20

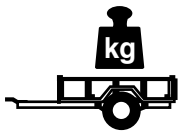
e20\*94/20\*0537\*00



2h

D

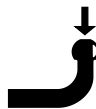
9,6 kN



R=1700 kg



-

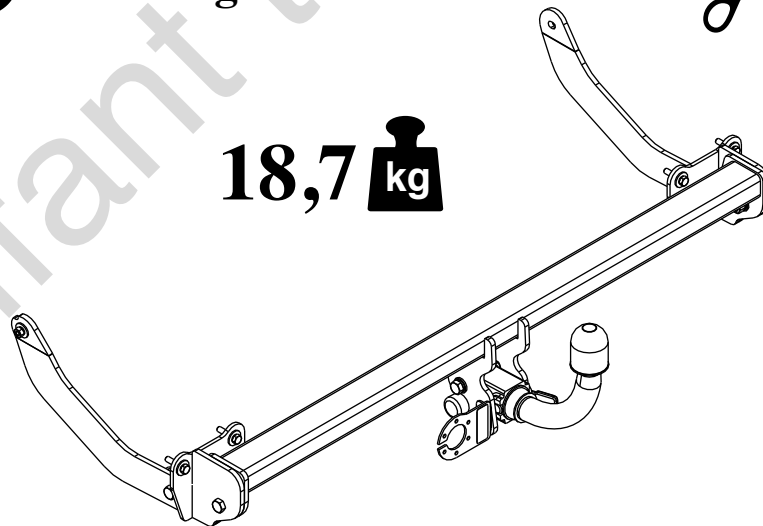


S=75 kg



-

18,7 kg



M6 - 8,5 Nm  
M10 - 41 Nm  
M14 - 112 Nm

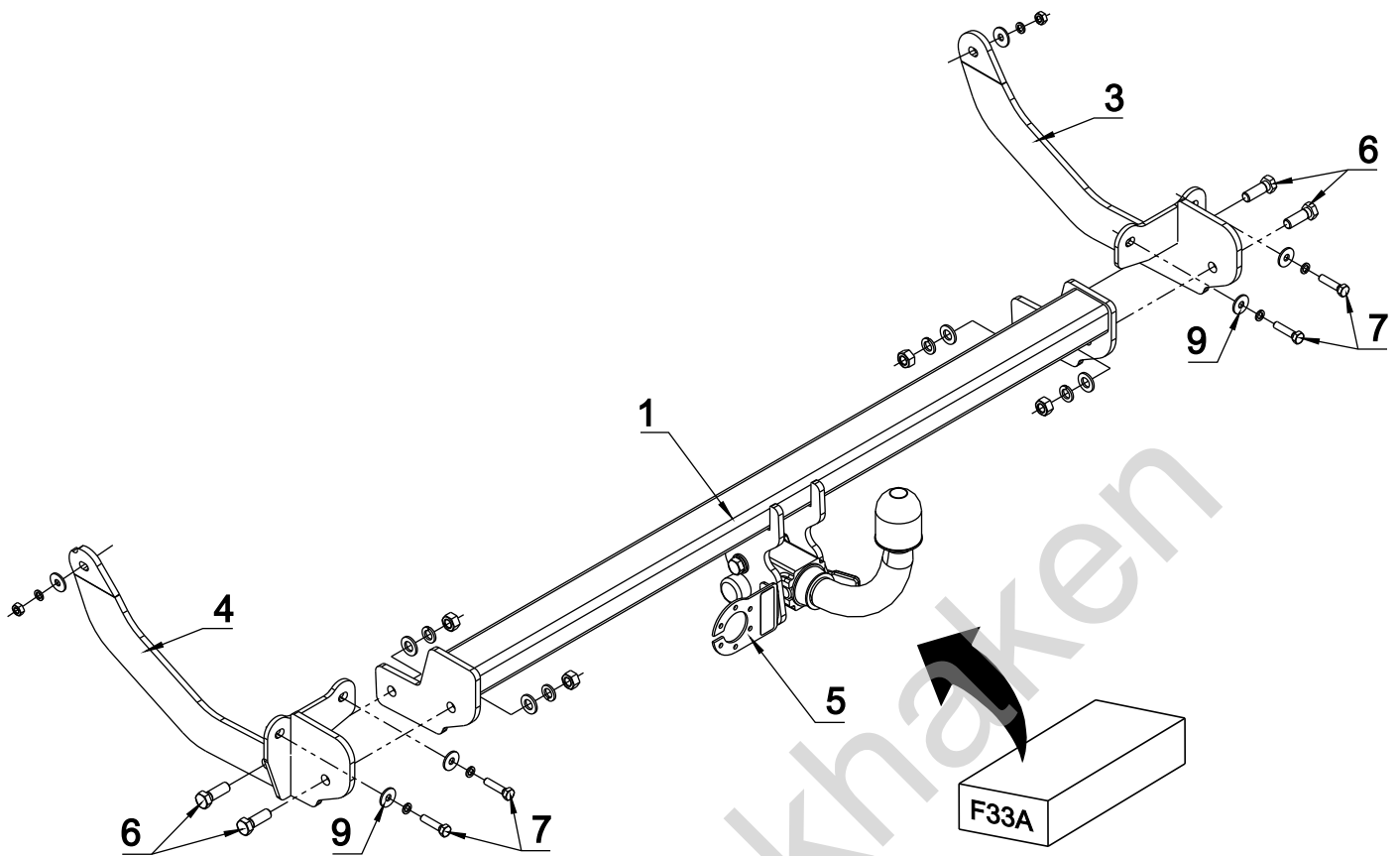
M8 - 20 Nm  
M12 - 70 Nm  
M16 - 170 Nm

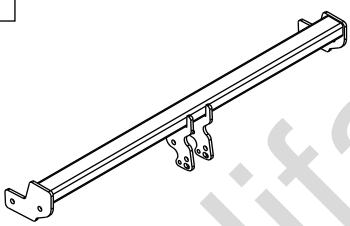
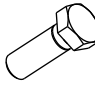
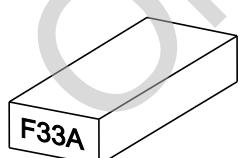

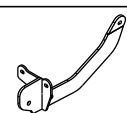
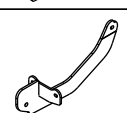
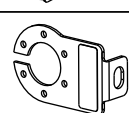


0 km →



1000 km



1		x1		6	M12x35	x4
				7	M8x35	x4
				8	∅ 13	x4
				9	∅ 24x∅8.4x2 8 DIN 9021	6
2		x1		10	∅ 12.2	x4
				11	∅ 8.2	x6
				12	M12	x4
				13	M8	x2
Art.nr-KL1F33A						
3		x1				
4		x1				
5		x1				
Art.nr-BL1F33A						

