

PPUH AUTO-HAK Sp.J.

Henryk i Zbigniew Nejman
ul. Słoneczna 16K 76-200 SŁUPSK
POLAND

tel/fax +48 59 8 414 414; +48 59 8 414 413


e-mail: office@autohak.com.pl

www.autohak.com.pl





AUTO-HAK


PEUGEOT BIPPER
FIAT FIORINO/QUBO
CITROEN NEMO
dostawczy, VAN, ~~LX~~ ~~LONG~~



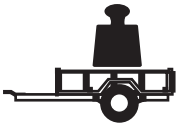
Cat. no:
F32A


 **02.2008** →


 **e20** **e20*94/20*0489*00**


 **1,5h**


D **7,5 kN**

 **R=1100 kg**

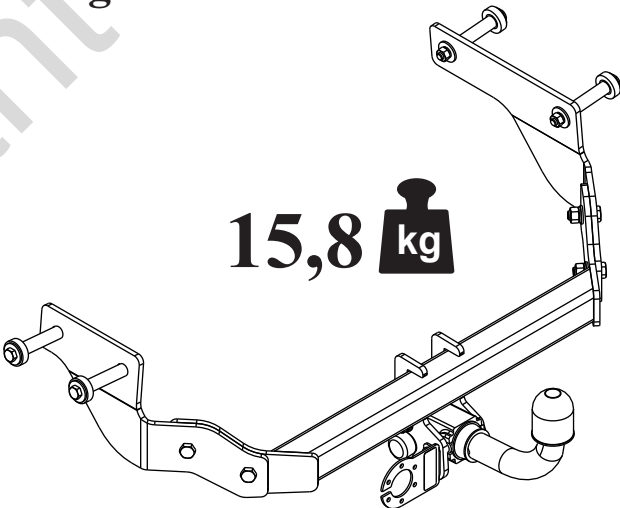









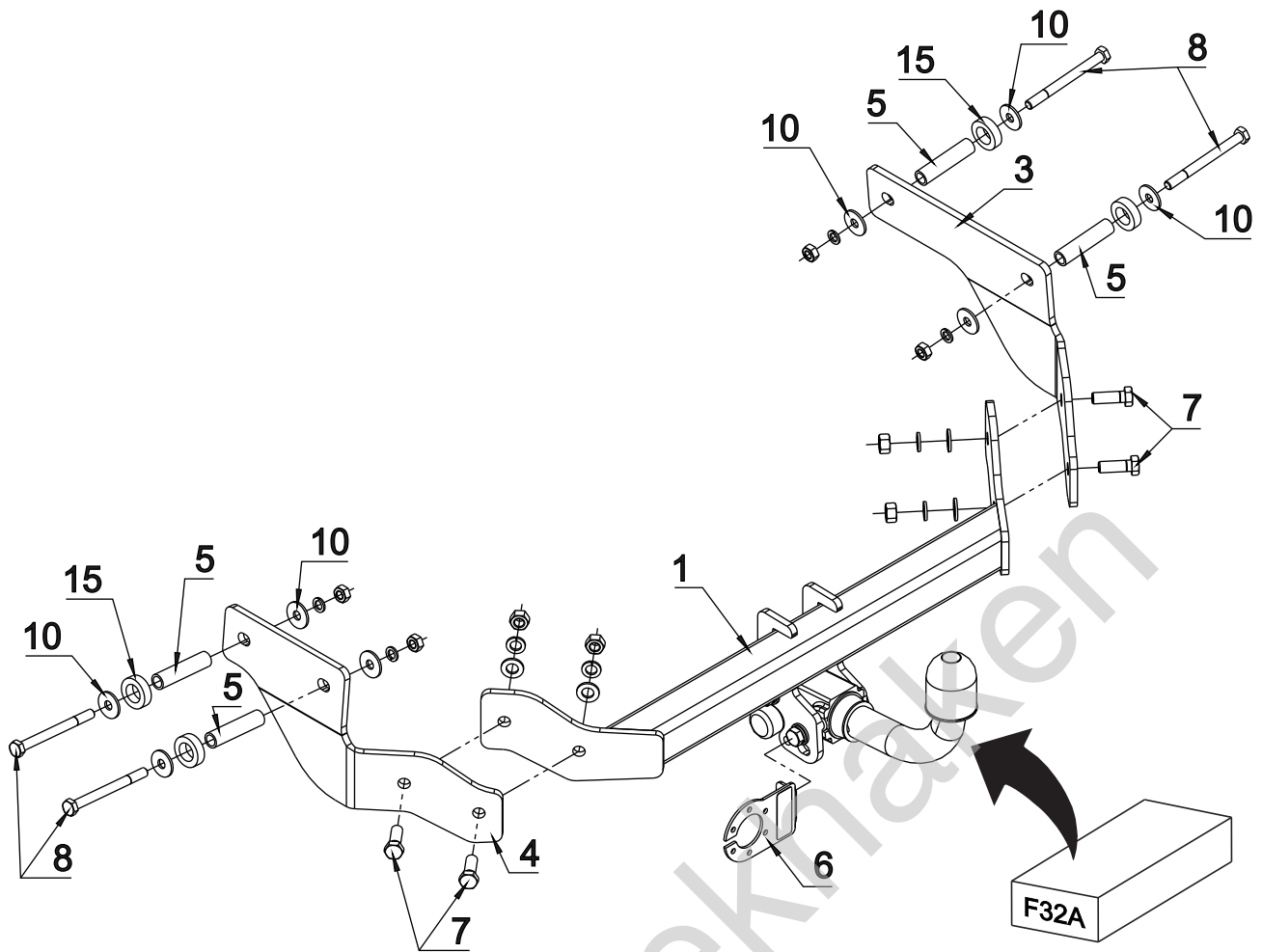
 **S=75 kg**

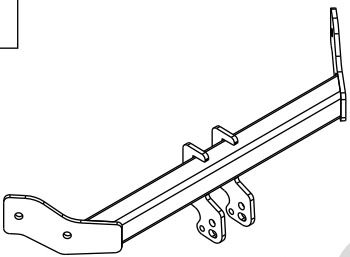
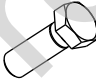
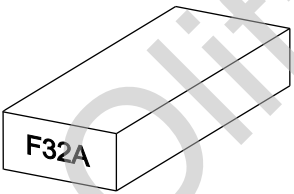


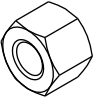
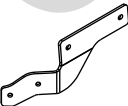
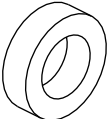
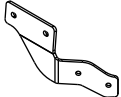
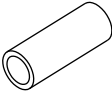
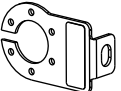
15,8 kg



M6 - 11 Nm **M8** - 25 Nm
M10 - 50 Nm **M12** - 87 Nm
M14 - 138 Nm **M16** - 210 Nm

  **0 km** →  **1000 km**



1 	x1		7 M12x35	x4
			8 M10x110	x4
			9 \varnothing 13	x4
			10 \varnothing 30x \varnothing 10.5x2.5 10 DIN 9021	8
2  Art.nr-KL1F32A	x1	  	11 \varnothing 12.2	x4
			12 \varnothing 10.2	x4
			13 M12	x4
			14 M10	x4
3 	x1	15  \varnothing 35x \varnothing 21mm L=10mm		x4
4 	x1			
5  \varnothing 17x2,35mm L=73mm	x4			
6  Art.nr-BL1F32A	x1			

