

FITTING INSTRUCTION

Clamp mark in acc. with		Cables joining
ISO	PN	
1	L	Left directional lights
2	+	Rear fog lights
3	31	Ground
4	R	Right directional lights
5	58R	Right side parking lights
6	54	Stoptlights
7	58L	Left side parking lights

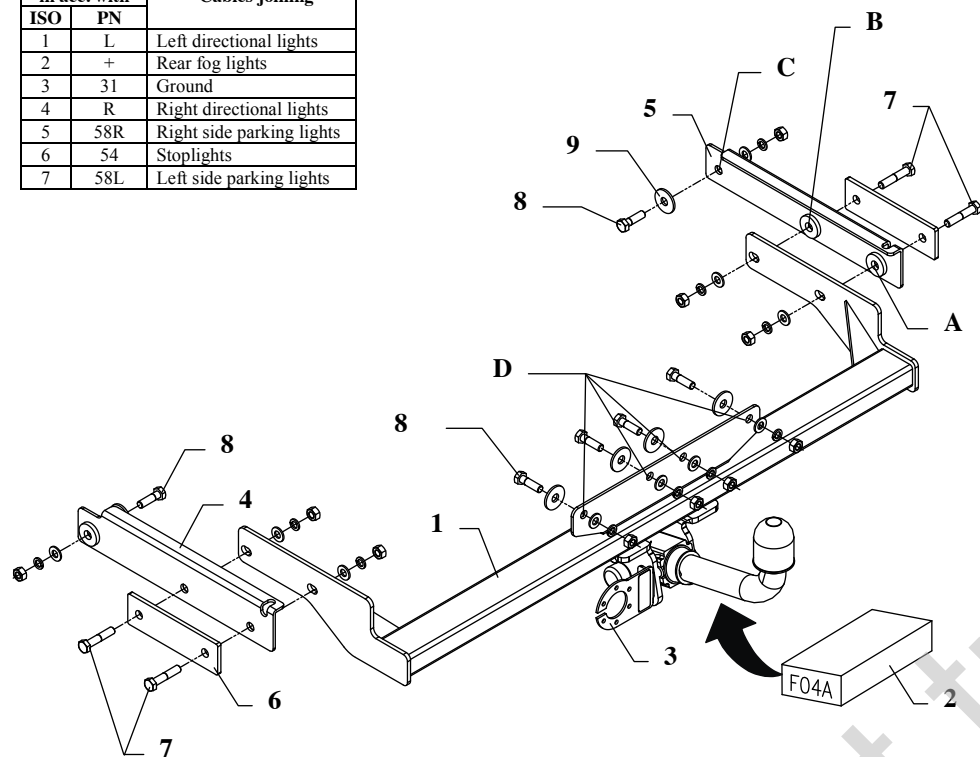


Fig. 1

This towbar is designed to assembly in following cars: **PEUGEOT 309, 3/5 doors**, produced since 10.1985 till 12.1993, catalogue no. **F04A** and is prepared to tow trailers max total weight **1100 kg** and max vertical load **50 kg**.

From manufacturer

Thank you for buying our product. Their reliability has been confirmed in many tests. Reliability of towbar depends also on correct assembly and right operation. For this reasons we kindly ask to read carefully this instruction and apply to hints.

The towbar should be install in points described by a car producer.

The instruction of the assembly

1. Disassemble the rear bumper.
2. Unrivet from body handles of the bumper (3 pcs.) and unscrew thermal shield of last muffler.
3. On the left and right side put to chassis members brackets (pos. 4 and 5) in this way so elongated holes tally with plastic pin protruding from floor and next through holes (pos. A, B, C) drill holes $\varnothing 1$ mm.
4. Bracket (pos. 5) screw through hole (pos. C) using washers (pos. 9) and bolts M10x30mm (pos.8).
5. Put main bar of towbar (pos. 1) to mounted brackets (pos. 4 and 5), through holes (pos. A and B), washers and plates (pos. 6) screw with chassis member using bolts M10x50mm (pos. 7) from towbar accessories.
6. Through holes (pos. D) drill holes $\varnothing 1$ mm and next screw with bolts M10x30mm – pos. 8 (use washers $\varnothing 35 \times \varnothing 12 \times 3$ mm – pos. 9).
7. Fix body of the automat and place tow-ball according to supplied instruction. Note! Remember to place socket plate (pos. 3) as shown on the drawing 1.
8. Tighten all bolts according to the torque shown in the table.
9. In central part of the bumper cut out fragment 70x80mm as shown in the fig. 2.

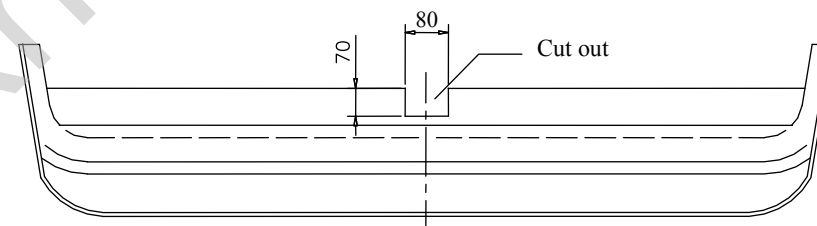


Fig. 2

10. Assemble thermal shield and the bumper.
11. In early unrivets handles drill upper hole using bit $\varnothing 1$ mm and on this way prepared handle fix to the towbar through holes (pos. A) and next screw with bumper as originally.
12. Connect electric wires of 7-poles socket according to the instruction of the car. (Recommend to make at authorized service station).
13. Complete paint layer damaged during installation.

Torque settings for nuts and bolts (8,8):

M6 - 11 Nm	M8 - 25 Nm	M10 - 50 Nm
M12 - 87 Nm	M14 - 138 Nm	M16 - 210 Nm

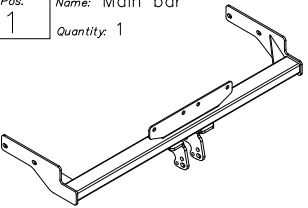
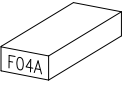
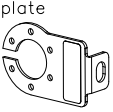
NOTE

After install the towbar you should get adequate note in registration book (at authorised service station).The car should be equipped with:

- Indicators
- Tow mirrors

After 1000km of exploitation check all bolts and nuts. The ball of towbar must be always kept clear and conserve with a grease.

Towbar accessories:

Pos. 1	Name: Main bar Quantity: 1	Pos. 4	Name: Left fish-plate Quantity: 1	Pos. 8	Name: Bolt 8,8 B Quantity: 6 Dim.: M10x30mm
		Pos. 5	Name: Right fish-plate Quantity: 1	Pos. 9	Name: Washer Quantity: 6 Dim.: Ø35xØ12x3mm
		Pos. 6	Name: Plate Quantity: 2	Pos. 10	Name: Plain washer Quantity: 10 Dim.: Ø 10,5 mm
Pos. 2	Name: Tow ball Quantity: 1	Pos. 7	Name: Bolt 8,8 B Quantity: 4 Dim.: M10x50mm	Pos. 11	Name: Spring washer Quantity: 10 Dim.: Ø 10,2 mm
(mounting set)					
Pos. 3	Name: Socket plate Quantity: 1			Pos. 12	Name: Nut 8 B Quantity: 10 Dim.: M10
					



PPUH AUTO-HAK S.J.

Produkcja Zaczepów Kulowych
Henryk i Zbigniew Nejman
76-200 SŁUPSK ul. Słoneczna 16K
tel/fax (059) 8-414-414; 8-414-413
E-mail: office@autohak.com.pl
www.autohak.com.pl

Towing hitch (without electrical set)

Class: **A50-X** Cat. no. **F04A**
Designed for:
Manufacturer: **PEUGEOT**
Model: **309**
Type: **3/5 doors**
produced since 10.1985 till 12.1993

Technical data:
D-value: 7,22 kN
maximum trailer weight: **1100 kg**
maximum vertical cup load: **50 kg**

Approval number according to Directive 94/20/EC: e20*94/20*1351*00

Foreword

This towbar is designed according to rules of safety traffic regulations. The towing hitch is a safety component and can be install only by qualified personnel. Any alteration or conversion of the towing hitch is prohibited and would lead to cancellation of design certification. Remove insulating compound and underseal from vehicle (if present) in the area of the matting surfaces of the towing hitch. The vehicle manufacturer's specifications regarding trailer load and max. vertical cup load are decisive for driving, and values for the towing hitch cannot be exceeded.

D-value formula:

$$\frac{\text{Max trailer weight [kg]} \times \text{Max vehicle weight [kg]}}{\text{Max trailer weight [kg]} + \text{Max vehicle weight [kg]}} \times \frac{9,81}{1000} = D \text{ [kN]}$$