

# AUTO-HAK Sp. z o.o.

ul. Słoneczna 16K 76-200 SŁUPSK  
POLAND

tel/fax +48 59 8 414 414; +48 59 8 414 413

e-mail: [office@autohak.com.pl](mailto:office@autohak.com.pl)

[www.autohak.com.pl](http://www.autohak.com.pl)




# AUTO-HAK

OPEL  
CORSA (F)  08.2019 →

Cat. no:

**E67A**

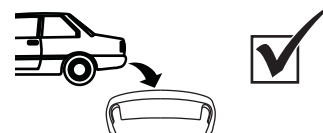
PEUGEOT  
208 (II)  06.2019 →


 **E20** E20-55R-01 5906




**2h**

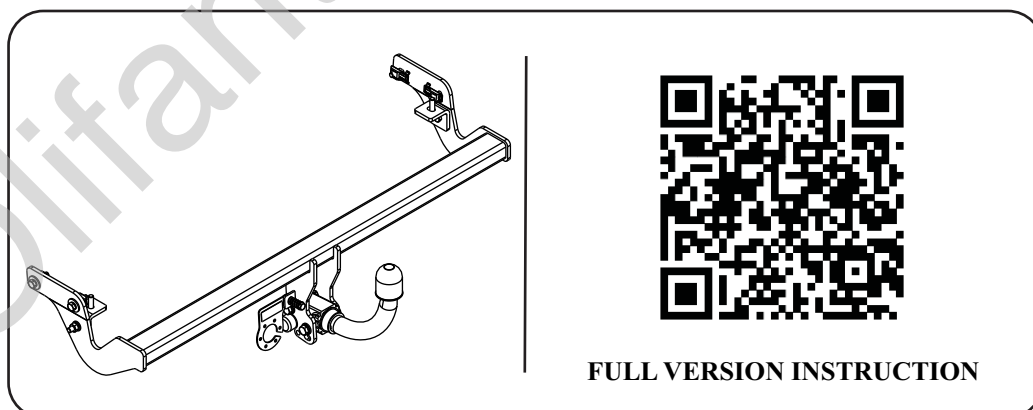
**D** 7,13 kN



 **R=1300 kg**




 **S=75 kg**

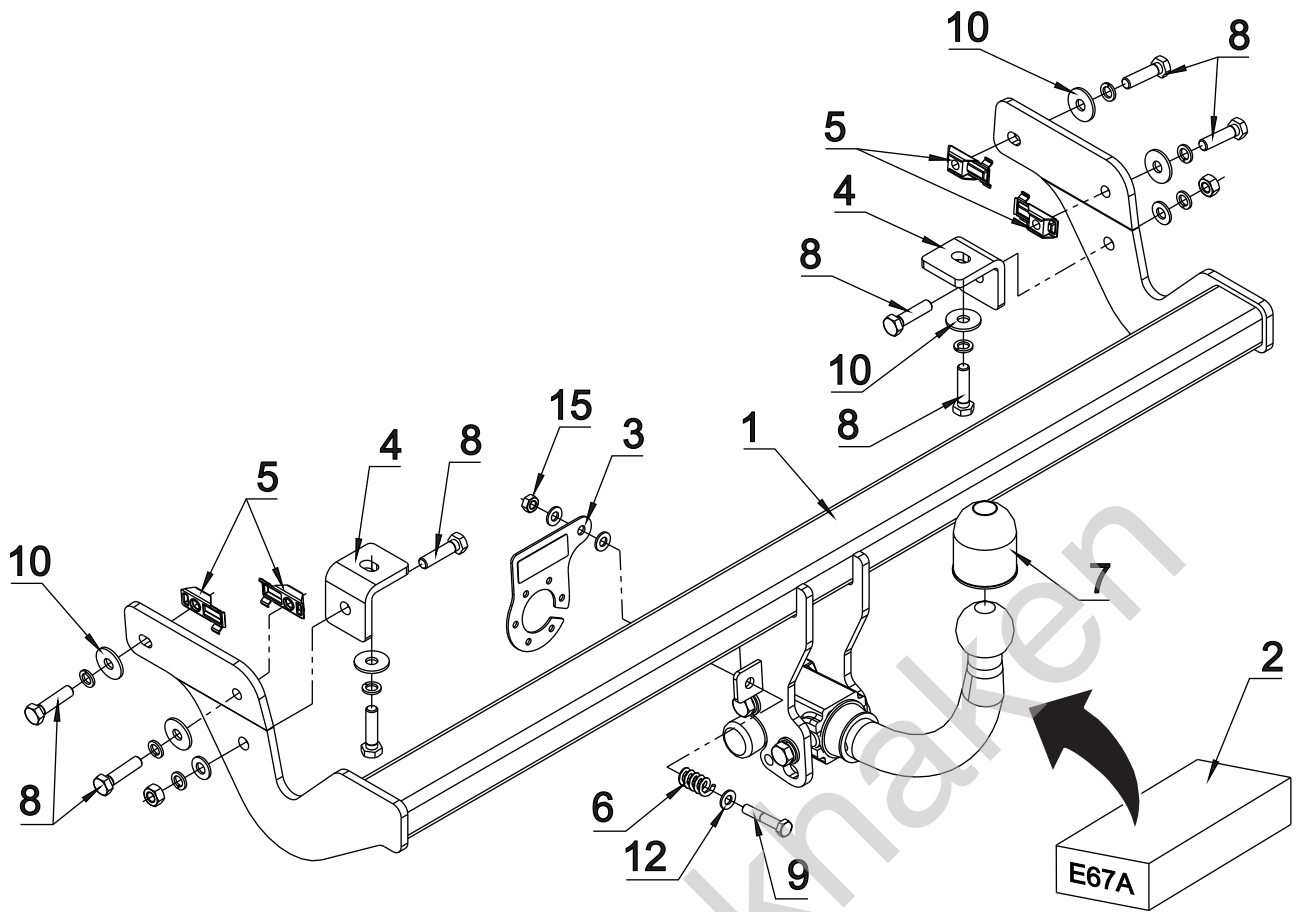


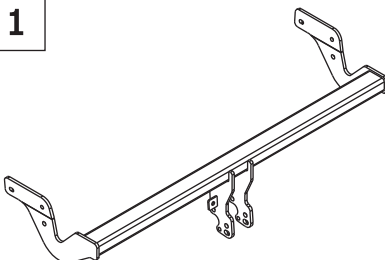

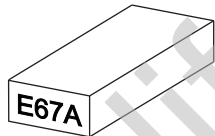



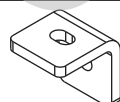

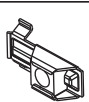

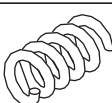





FULL VERSION INSTRUCTION

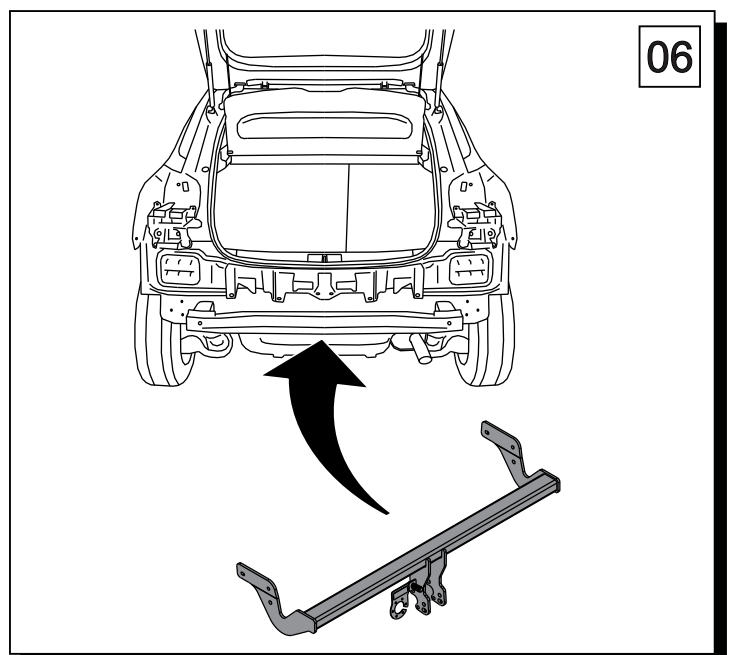
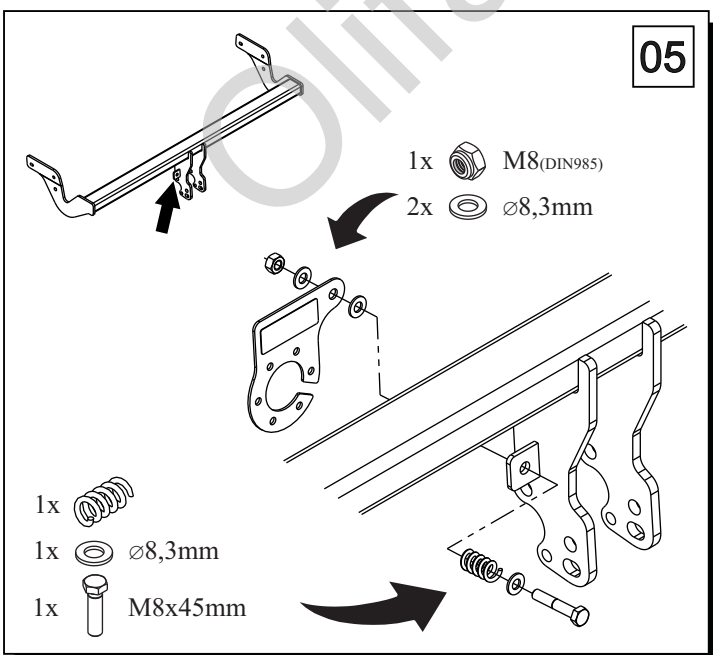
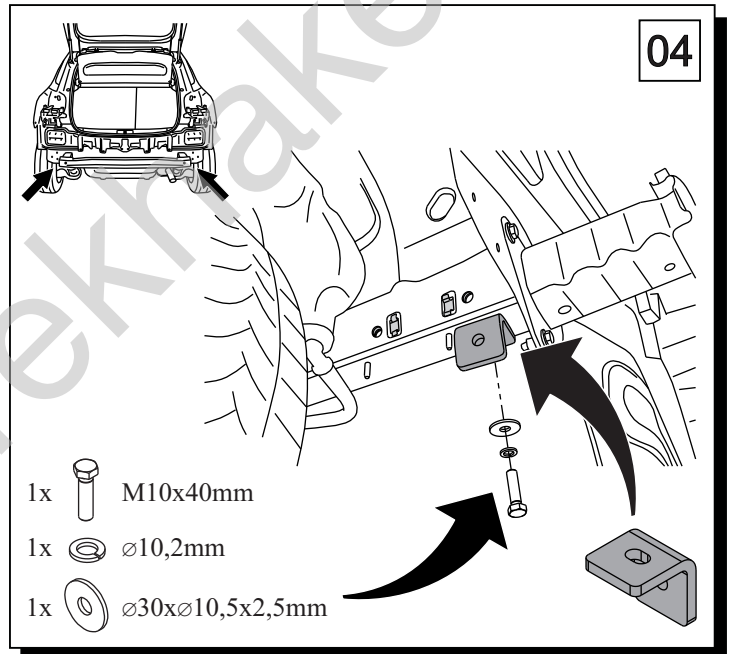
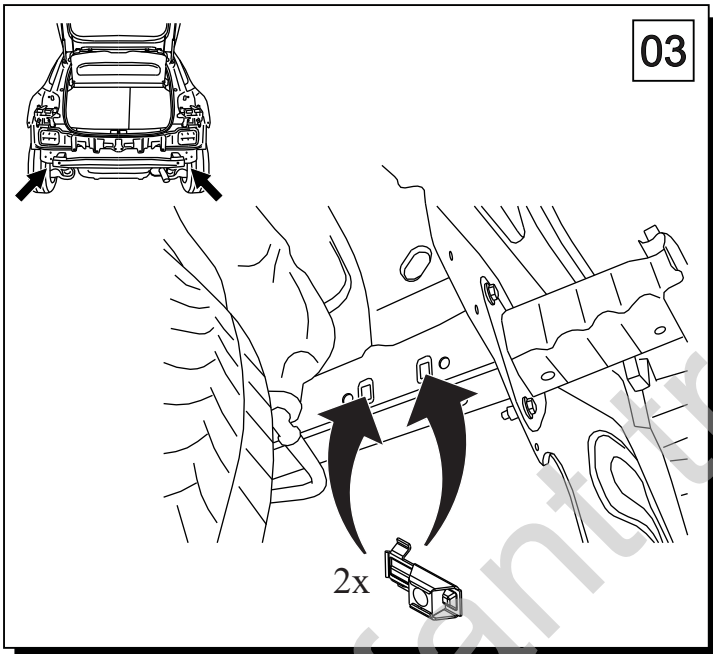
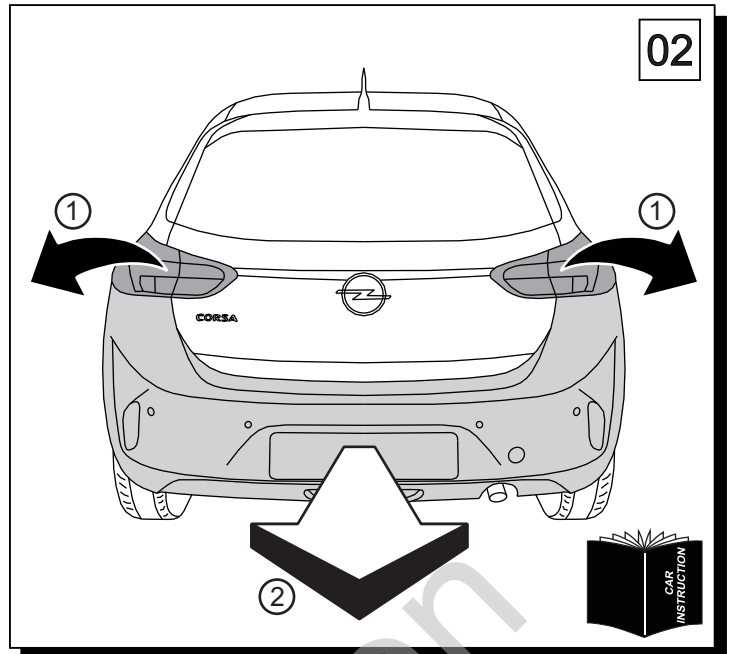
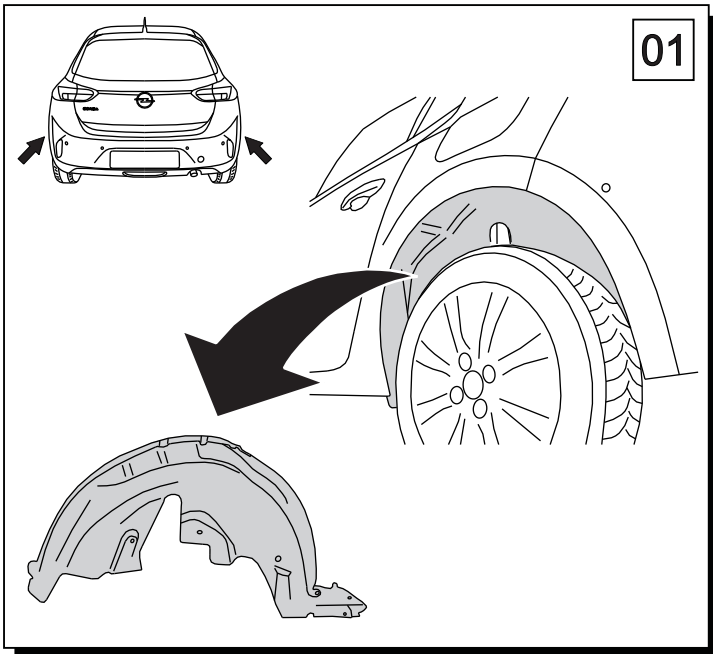


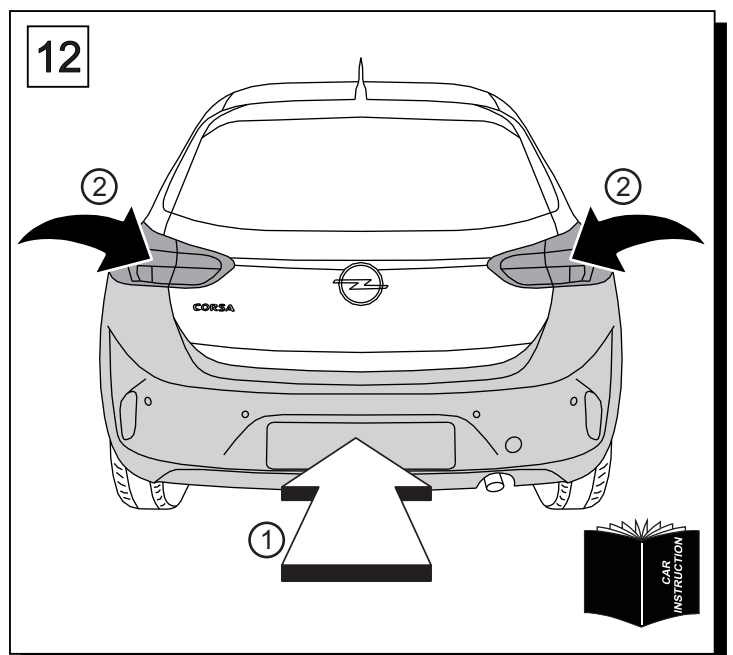
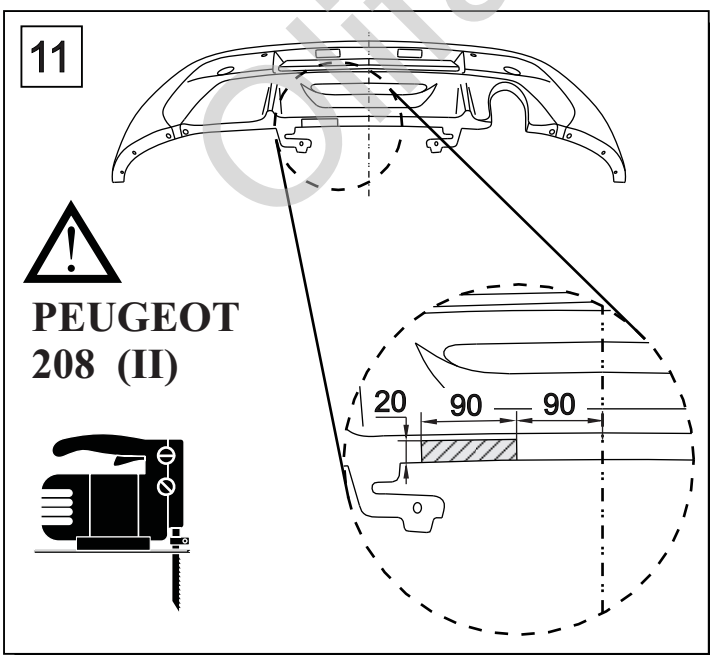
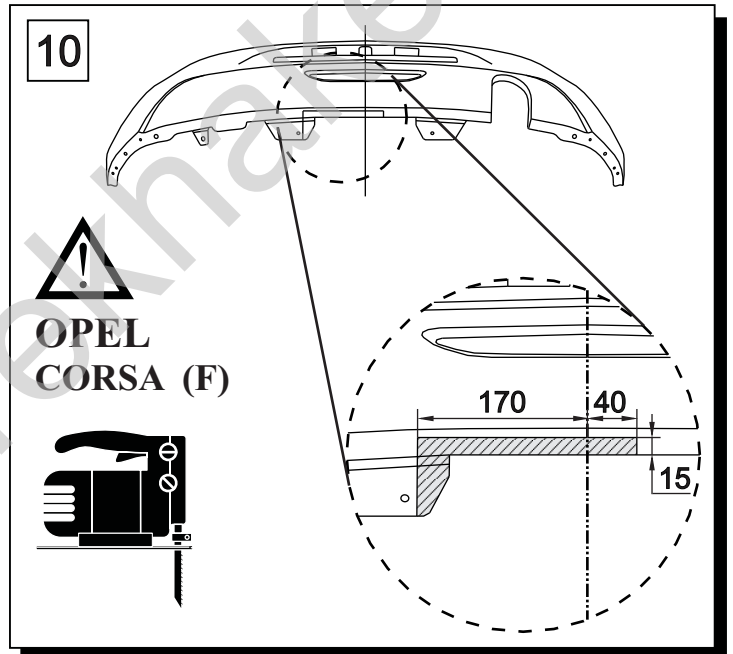
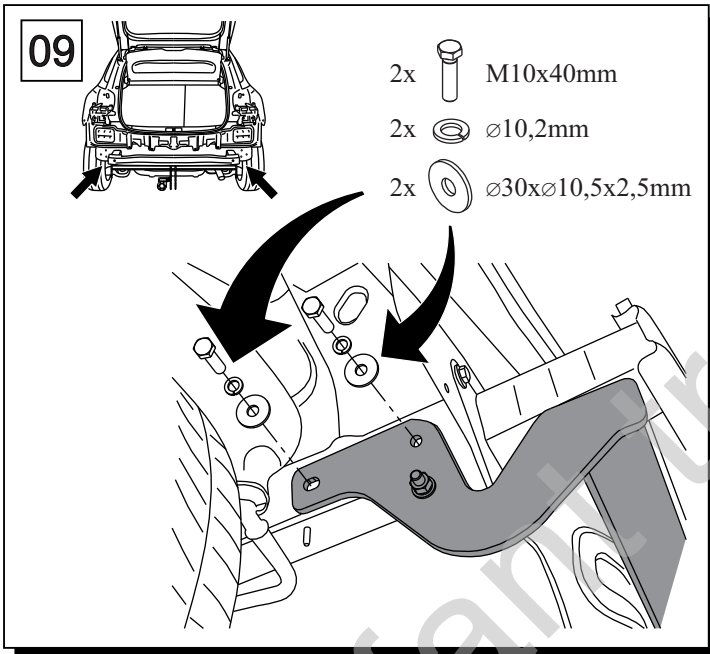
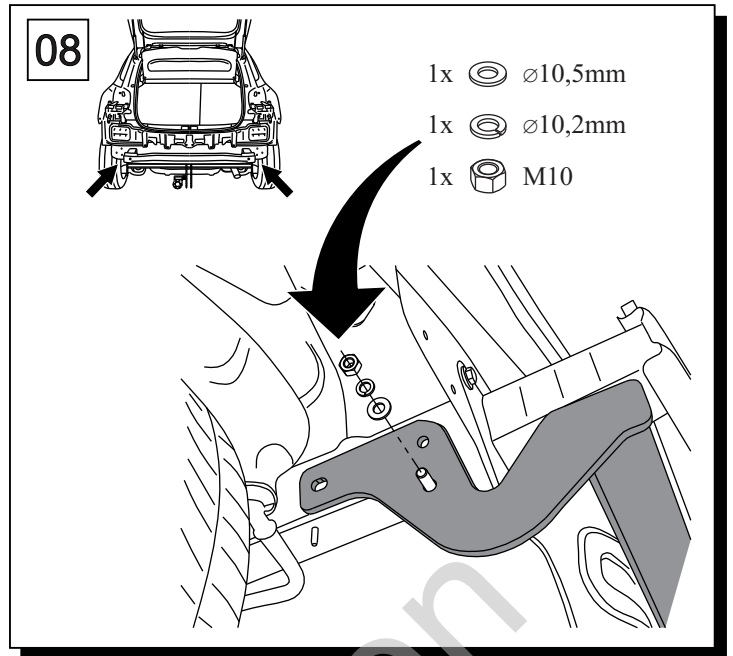
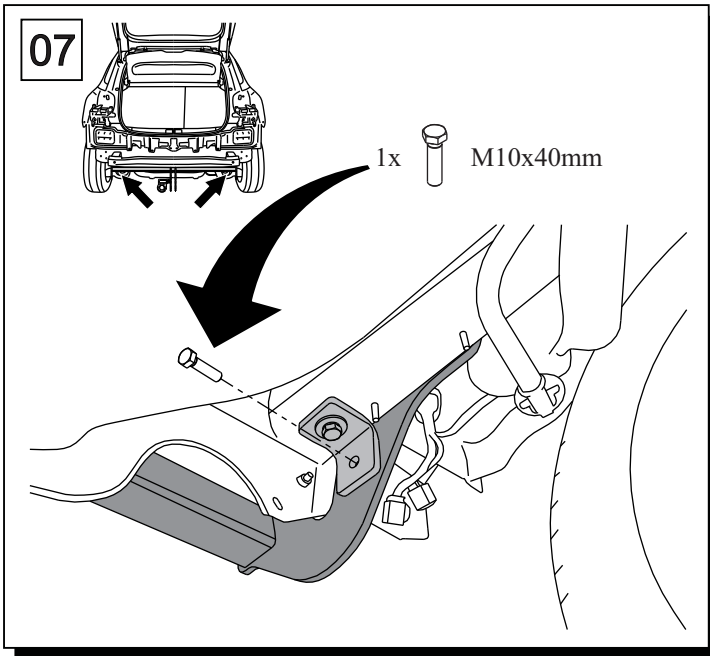
śruba	Nm	M6	M8	M10	M12	M14	M16
klasa 8.8		9,9	24	48	83	132	200
klasa 10.9		14	34	67	117	185	285

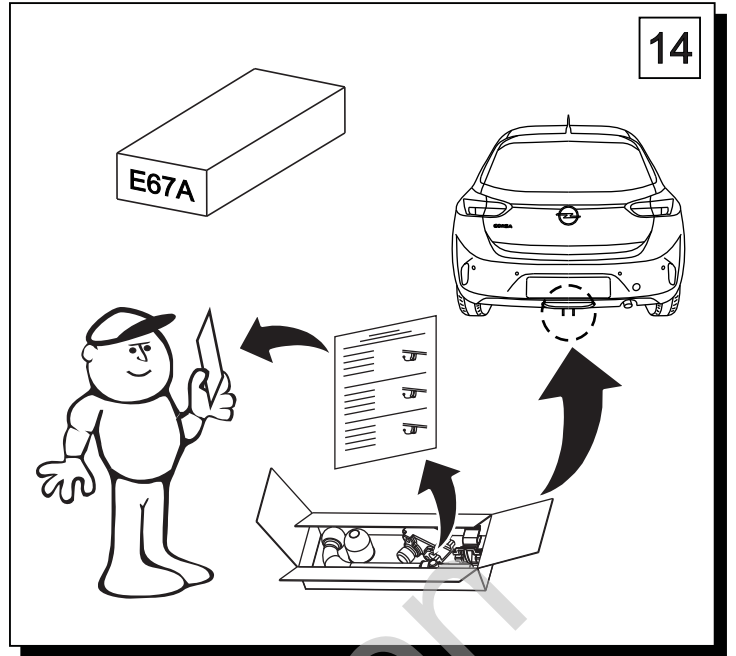
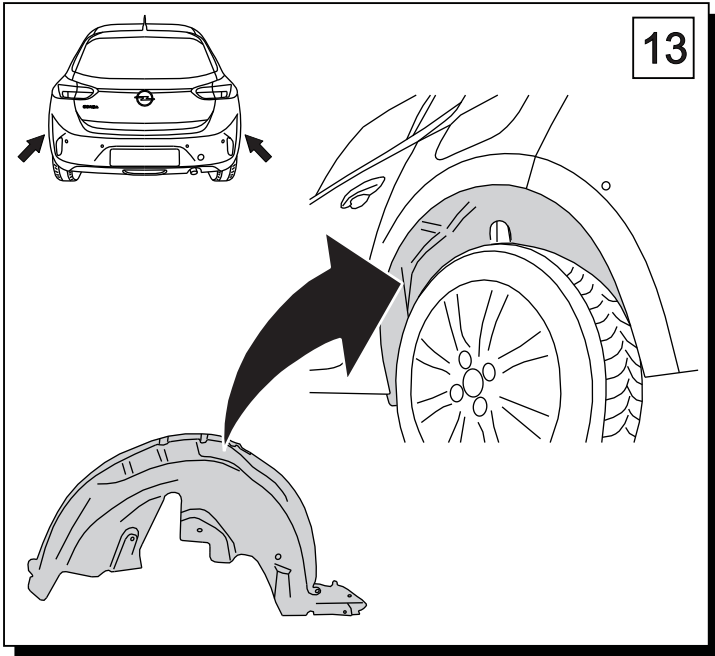
 **0 km** →  **1000 km**



	x1		8 M10x40	x8
 <p>Art.nr-KL1E67A</p>	x1		9 M8x45	x1
 <p>Art.nr-BL12E67A</p>	x1		10 $\varnothing$ 30x $\varnothing$ 10.5x2.5 10 DIN 9021	x6
	x2		11 $\varnothing$ 10.5	x2
	x4		12 $\varnothing$ 8.5	x3
	x1		13 $\varnothing$ 10.2	x8
	x1		14 M10	x2
	x1		15 M8 (DIN985)	x1







Olifant trekhakeri