

AUTO-HAK Sp. z o.o.

ul. Słoneczna 16K 76-200 SŁUPSK
POLAND

tel/fax +48 59 8 414 414; +48 59 8 414 413

e-mail: office@autohak.com.pl

www.autohak.com.pl



AUTO-HAK

OPEL GRANDLAND X

~~HYBRID~~

Nr kat.

E66A



2017 →



E20-55R-01 5285



2h

D

10,10 kN



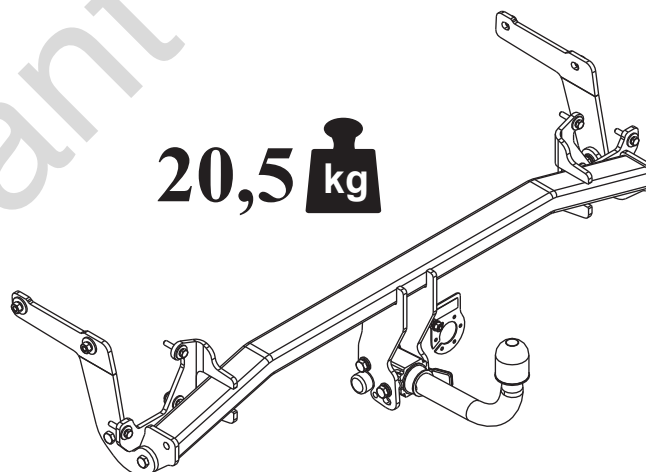
R=2000 kg



S=100 kg



20,5 kg



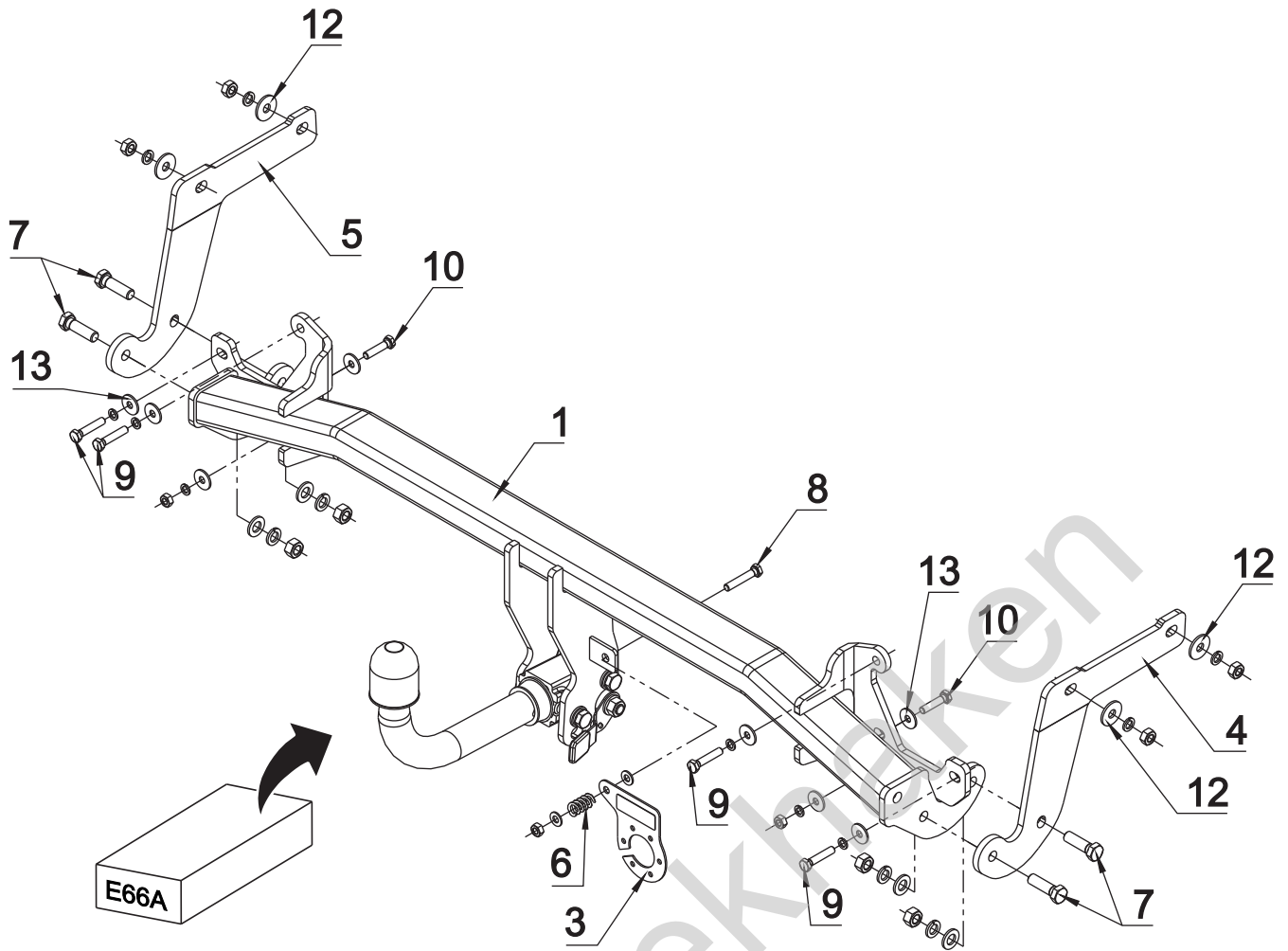
śruba	Nm	M6	M8	M10	M12	M14	M16
klasa 8.8		9,9	24	48	83	132	200
klasa 10.9		14	34	67	117	185	285

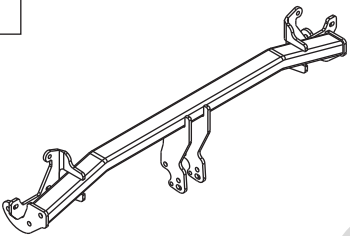








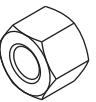
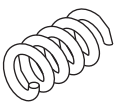
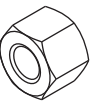


0 km →



1000 km



1		x1		7	M12x40	x4
				8	M8x45	x1
2		x1		9	M8x40	x4
				10	M8x35	x2
				11	ø 13	x4
3		x1		12	ø 30xø10.5x2.5 10 DIN 9021	x4
				13	ø 24xø8.4x2 8 DIN 9021	x8
4		x1		14	ø 8.5	x2
				15	ø 12.2	x4
5		x1		16	ø 10.2	x4
				17	ø 8.2	x6
6		x1		18	M12	x4
				19	M10	x4
				20	M8	x3

