

AUTO-HAK Sp. z o.o.

ul. Słoneczna 16K 76-200 SŁUPSK
POLAND

tel/fax +48 59 8 414 414; +48 59 8 414 413

e-mail: office@autohak.com.pl

www.autohak.com.pl



AUTO-HAK

OPEL CROSSLAND X

Cat. no:

E63A



2017 →



E20-55R-01 5180



5,66 kN



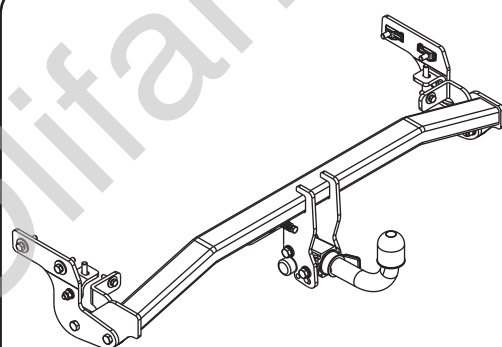
R=840 kg



S=55 kg



2h



FULL VERSION INSTRUCTION



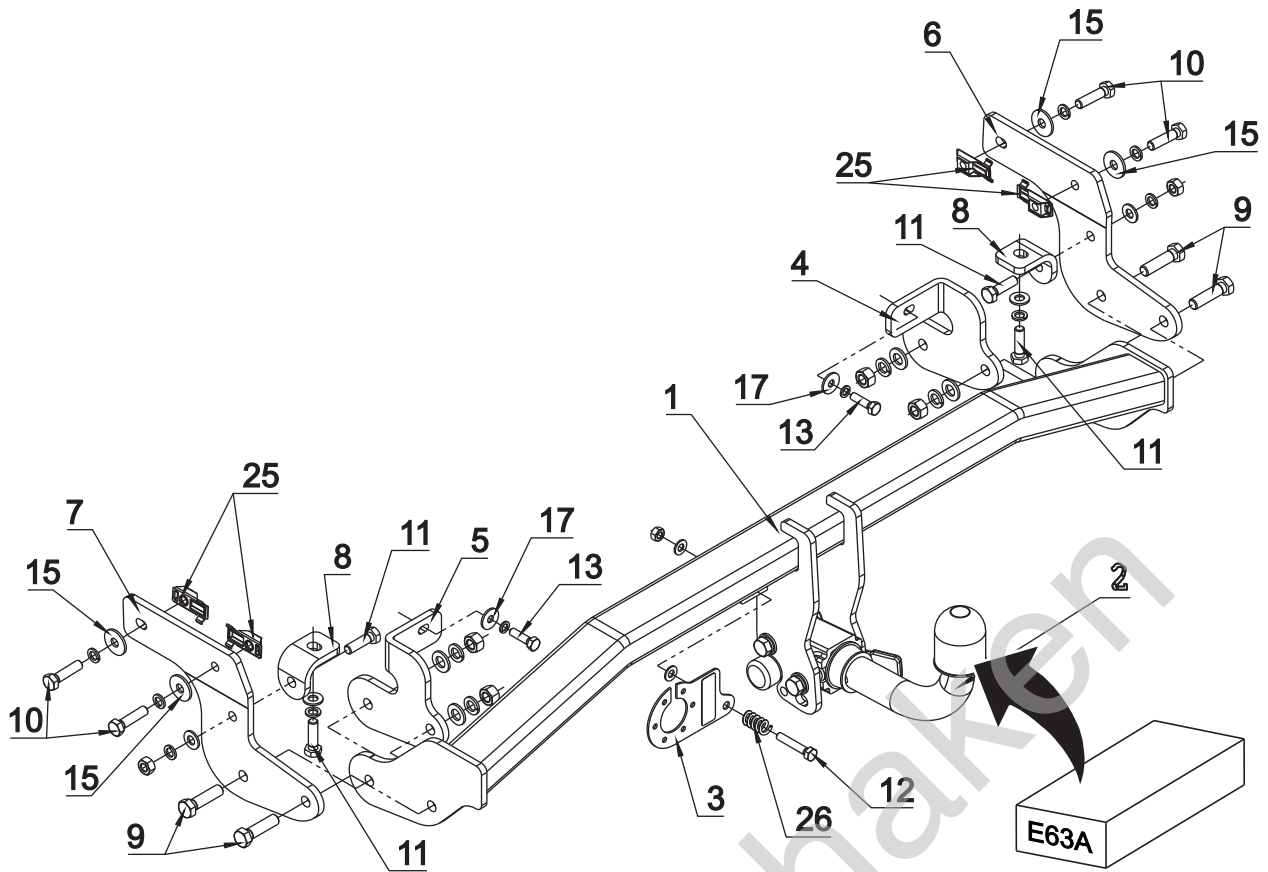
śruba	Nm	M6	M8	M10	M12	M14	M16
klasa 8.8		9,9	24	48	83	132	200
klasa 10.9		14	34	67	117	185	285



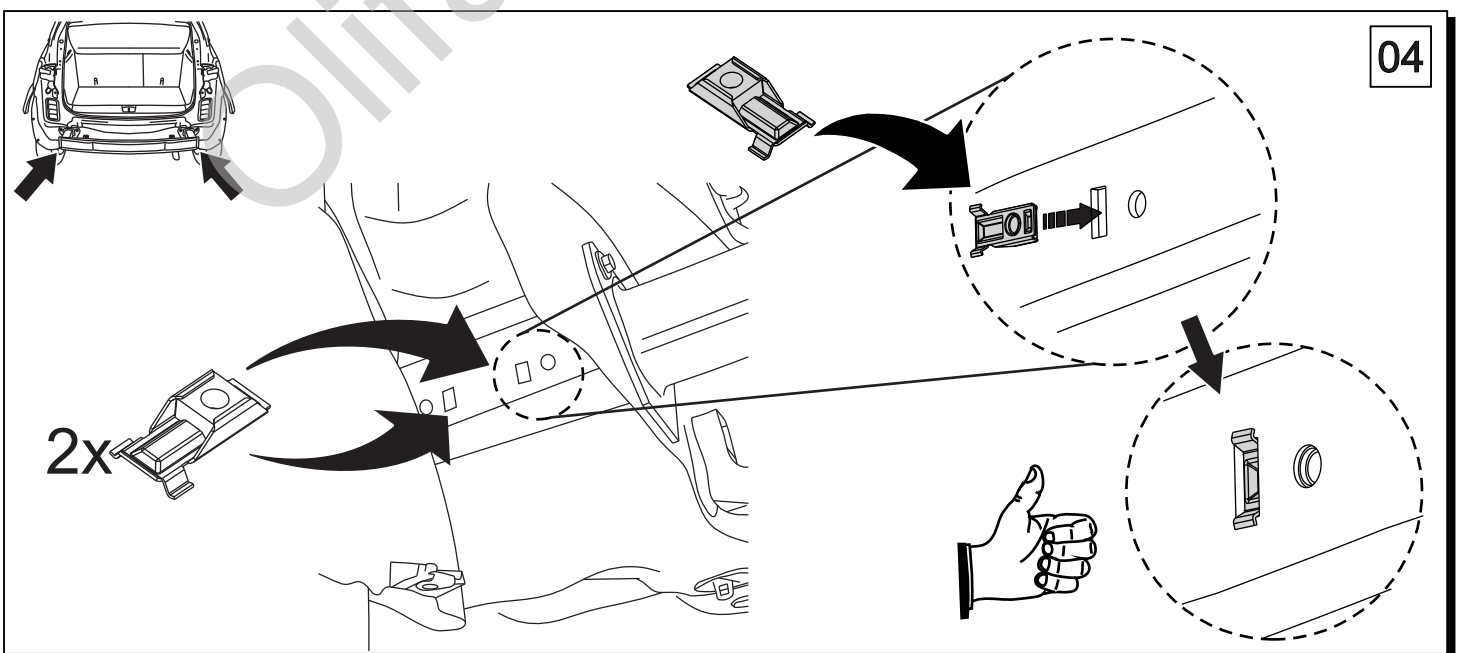
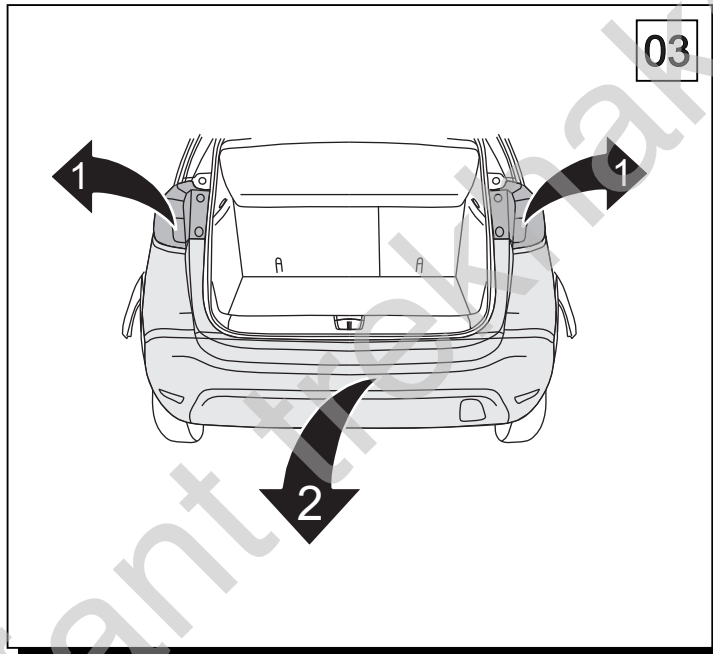
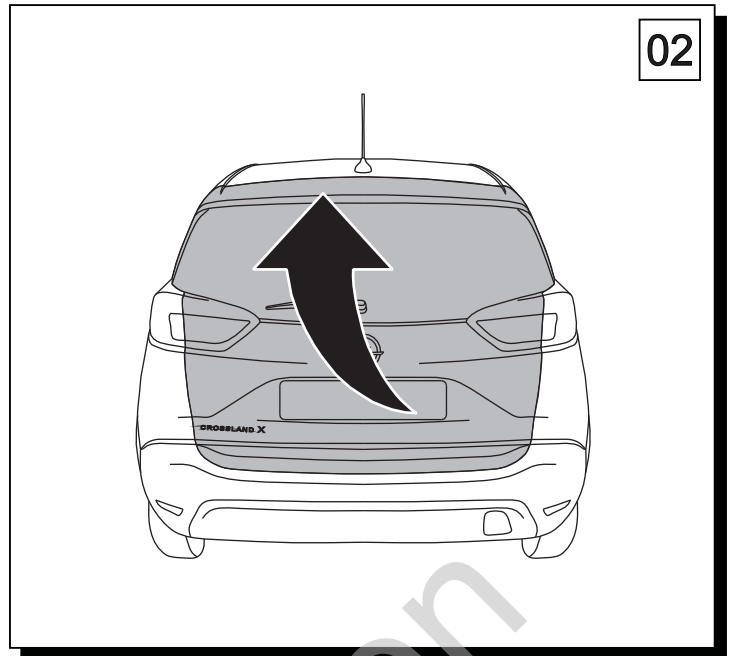
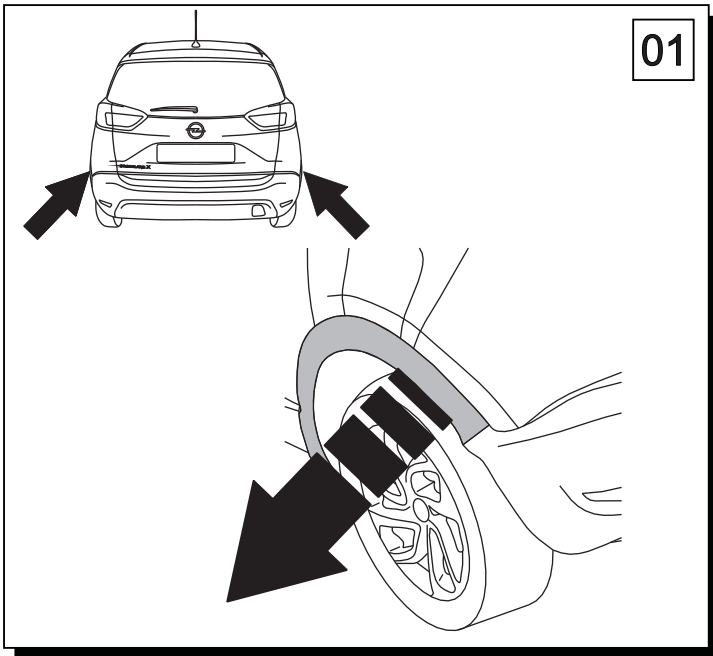
0 km

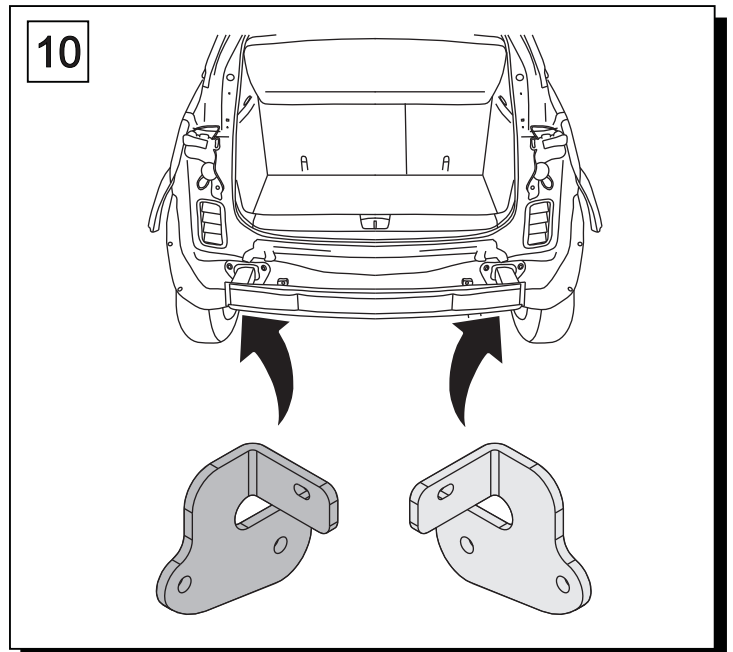
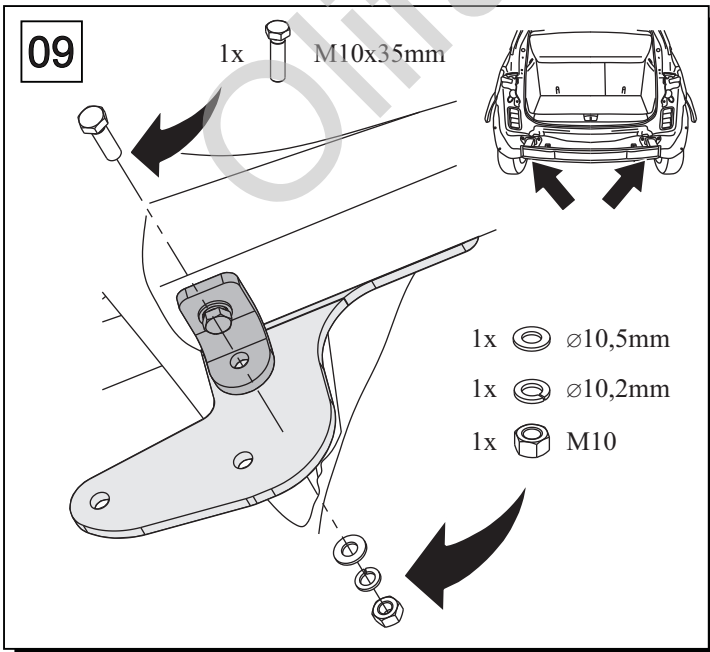
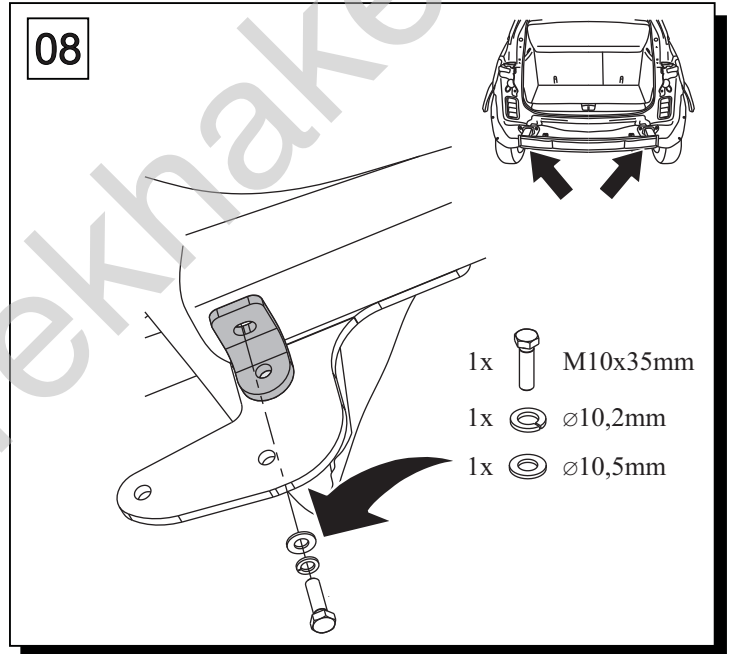
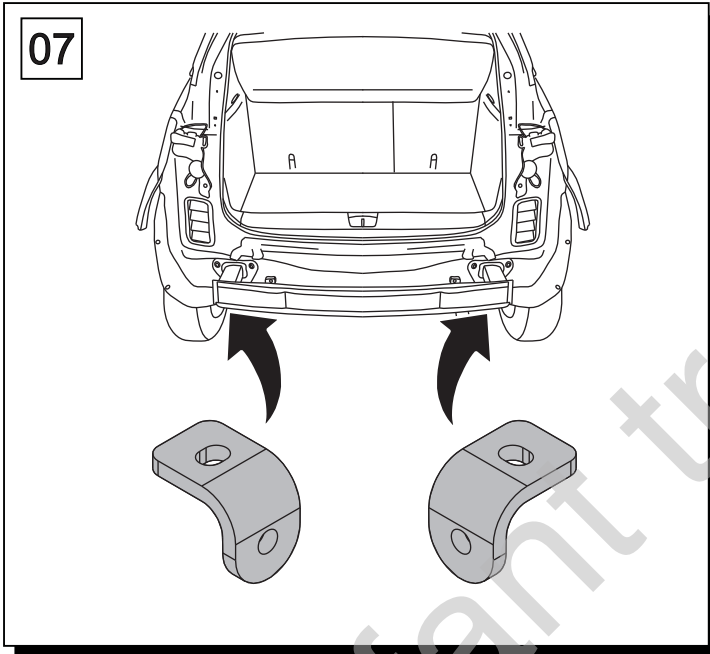
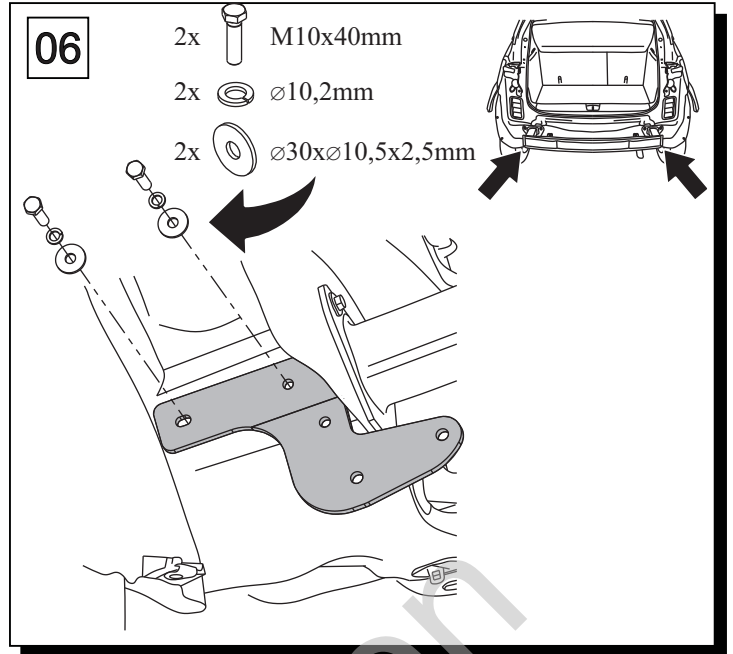
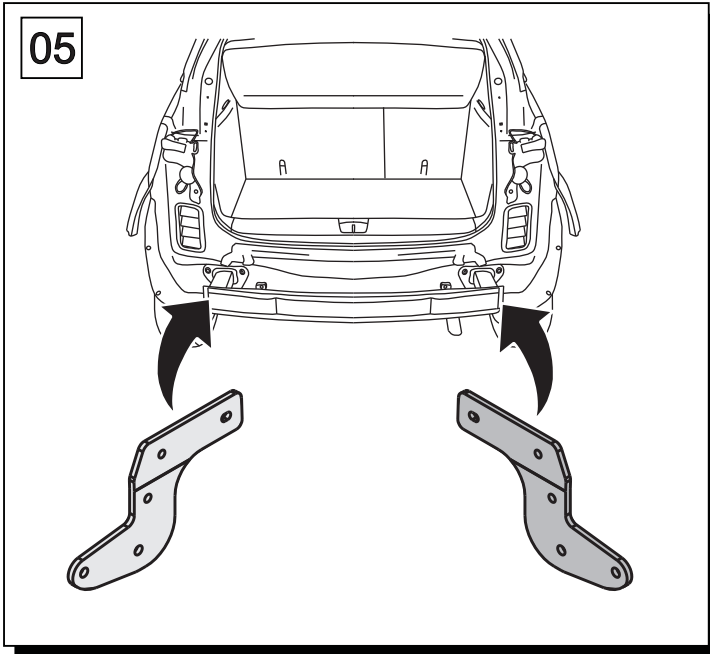


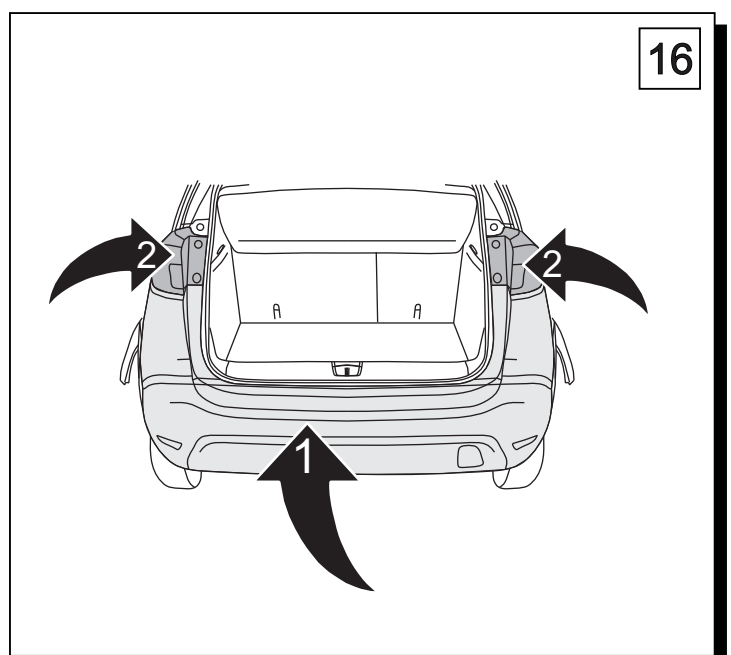
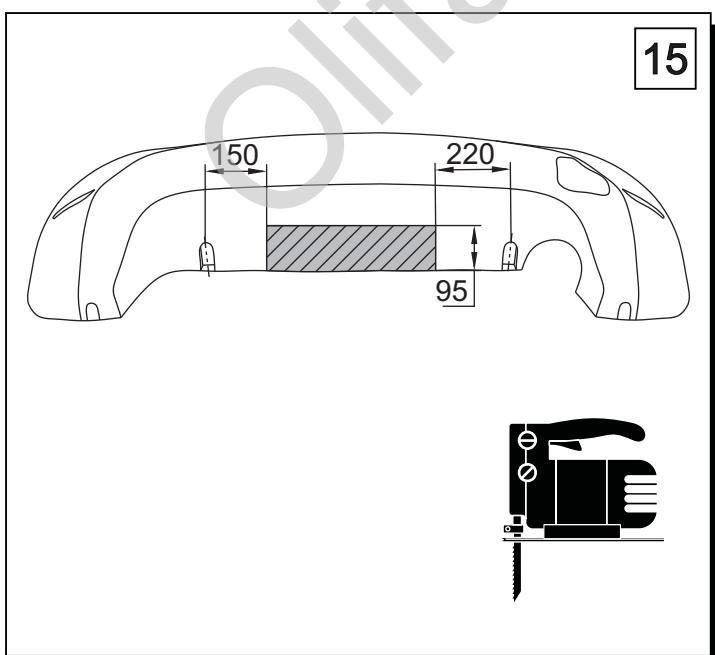
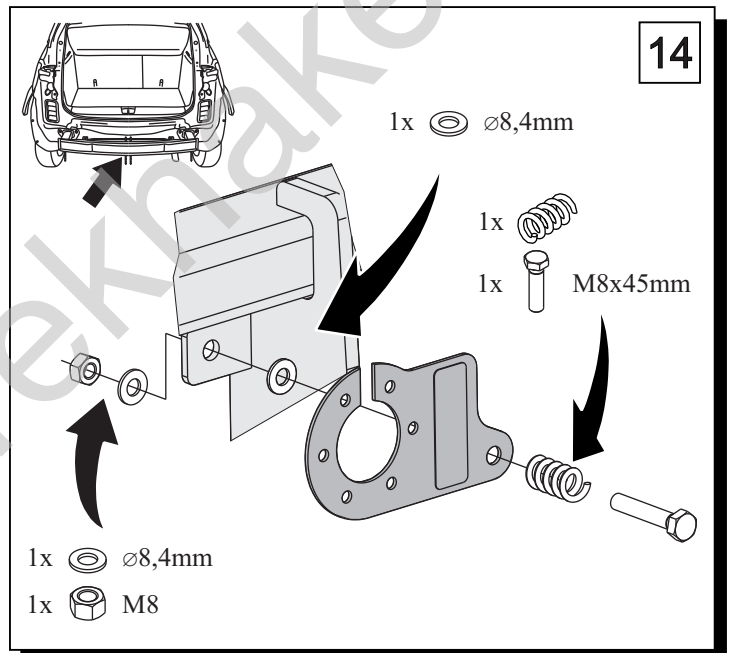
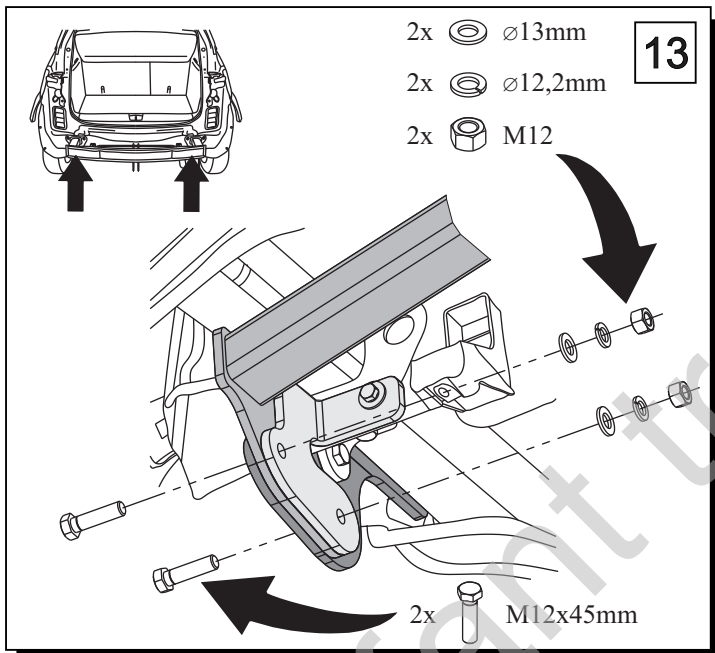
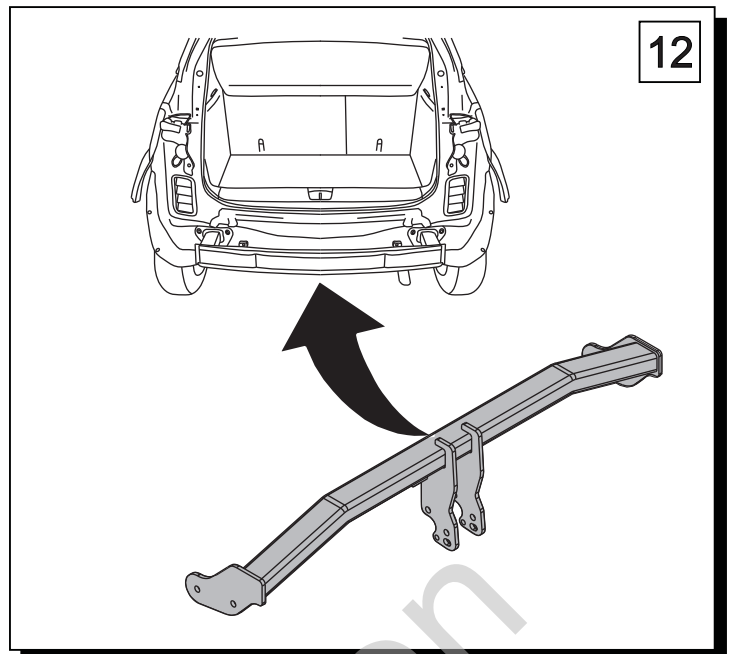
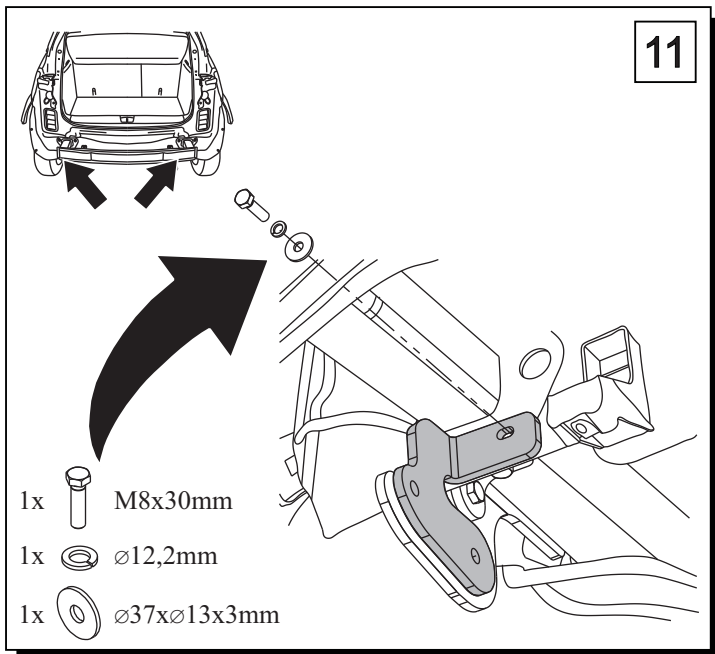
1000 km



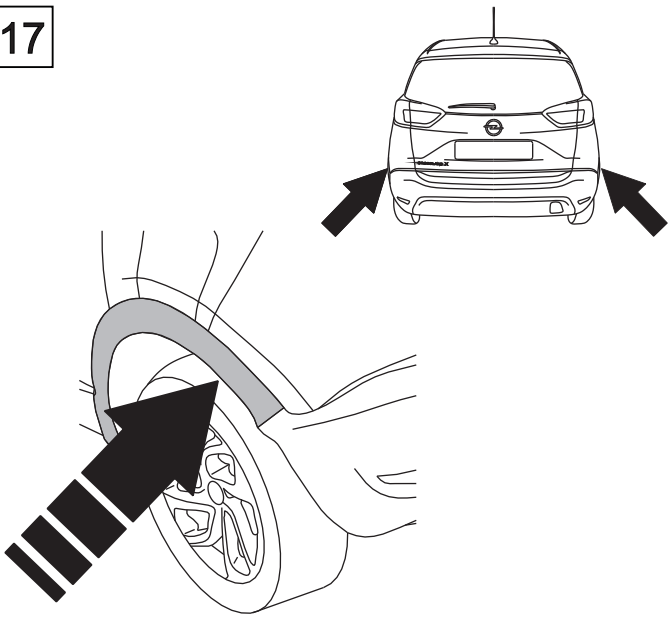
1	x1		9	M12x45	x4
2	x1	 Art.nr-KL1E63A	10	M10x40	x4
			11	M10x35	x4
			12	M8x45	x1
			13	M8x30	x2
3	x1		14	∅ 13	x4
4	x1		15	∅ 30x∅10.5x2.5 10 DIN 9021	4
			16	∅ 10.5	x4
5	x1		17	∅ 24x∅8.4x2 8 DIN 9021	2
6	x1		18	∅ 8.3	x2
			19	∅ 12.2	x4
			20	∅ 10.2	x8
7	x1		21	∅ 8.2	x2
			22	M12	x4
8	x2		23	M10	x2
			24	M8	x1
			25	M10	x4
			26		x1



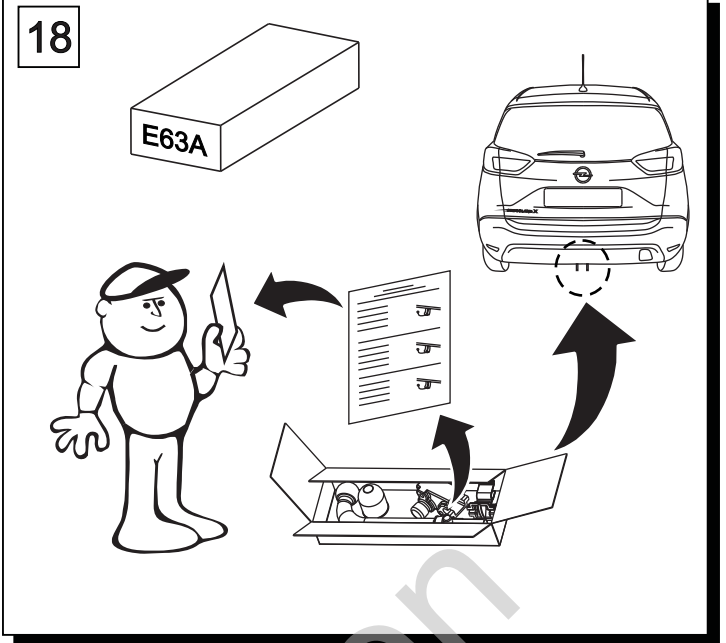




17



18



Olifant trekhaken