

# AUTO-HAK Sp. z o.o.

ul. Słoneczna 16K 76-200 SŁUPSK  
POLAND

tel/fax +48 59 8 414 414; +48 59 8 414 413

e-mail: [office@autohak.com.pl](mailto:office@autohak.com.pl)

[www.autohak.com.pl](http://www.autohak.com.pl)



# AUTO-HAK

## OPEL MOKKA SUV

06.2012 → 09.2020

## CHEVROLET TRAX SUV

04.2013 →

Nr kat.

**E58A**

**E20** E20-55R-01 4269

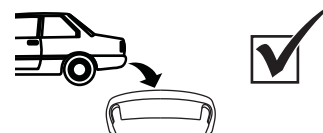
**D** 7,5 kN

**kg**  
R=1200 kg

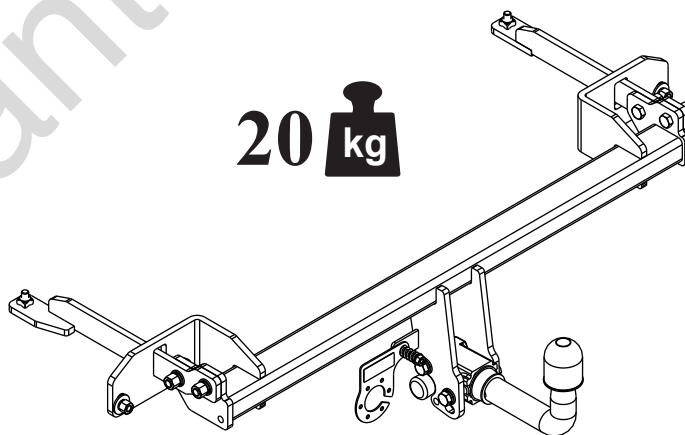
**S=75 kg**



2h

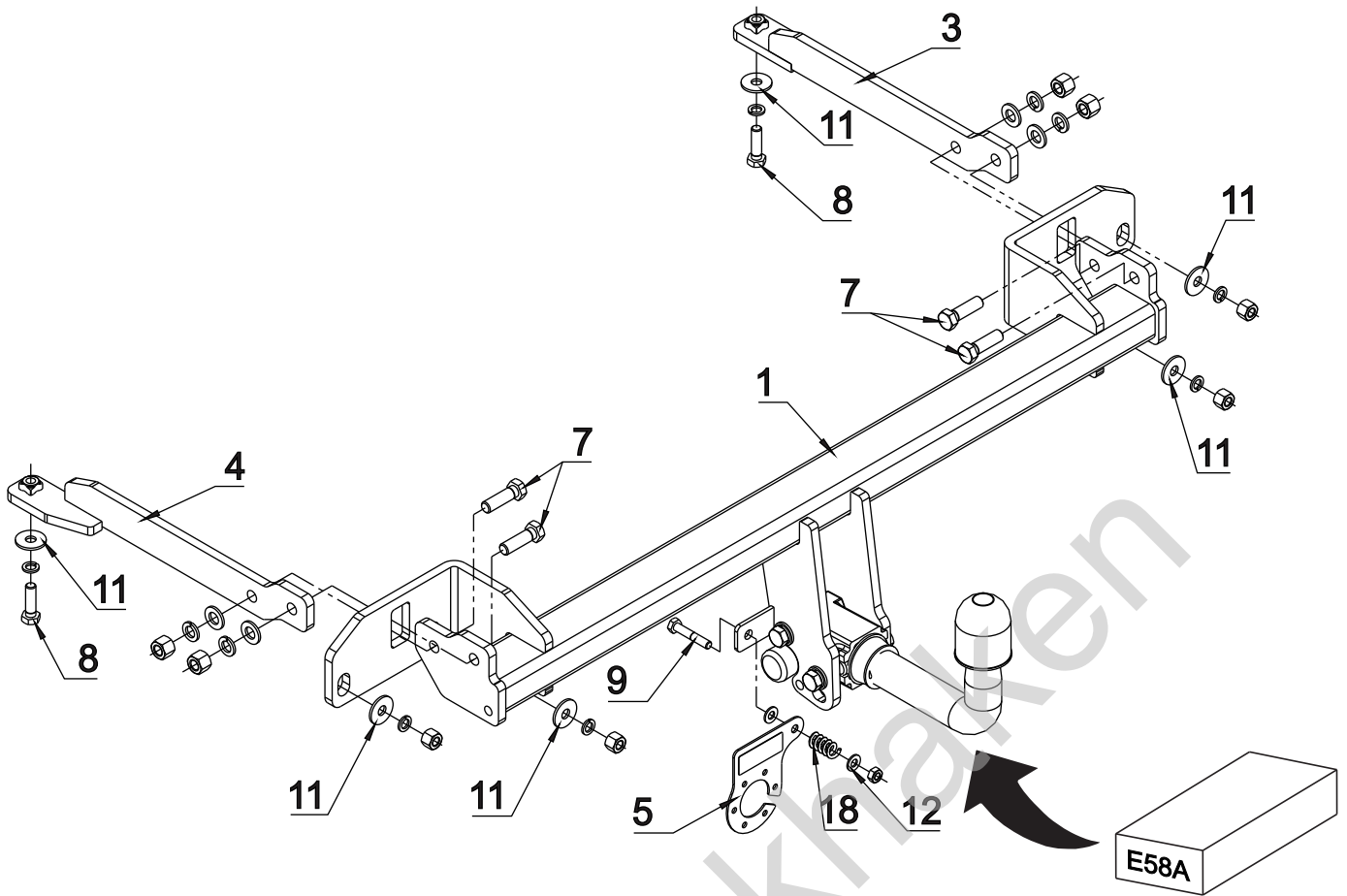


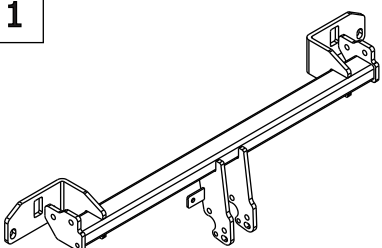

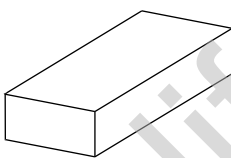

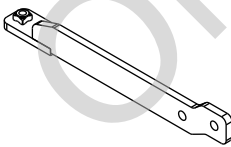

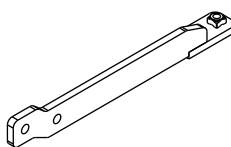
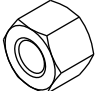
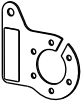
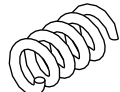

20 kg



śruba Nm	M6	M8	M10	M12	M14	M16
klasa 8.8	9,9	24	48	83	132	200
klasa 10.9	14	34	67	117	185	285

0 km → 1000 km



	x1		7	M12x40	x4
			8	M10x35	x2
			9	M8x45	x1
			10	∅ 13	x4
 Art.nr-KL1E58A	x1		11	∅ 30x∅10.5x2.5 10 (DIN 9021)	x8
			12	∅ 8	x2
	x1		13	∅ 12.2	x4
			14	∅ 10.2	x6
	x1		15	M12	x4
			16	M10	x4
			17	M8	x1
	x1		18		x1
			6		x1
	x1				

