

PPUH AUTO-HAK Sp.J.

Henryk & Zbigniew Nejman
ul. Słoneczna 16K 76-200 SŁUPSK
POLAND

tel/fax +48 059 8-414-414; 8-414-413

e-mail: office@autohak.com.pl

www.autohak.com.pl



AUTO-HAK



**OPEL ZAFIRA (C)
TOURER
5D, VAN**

~~CNG~~

Cat. no:

E57A



01.2012 →

e20

e20*94/20*1655*00



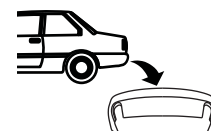
2h

D

9,9 kN



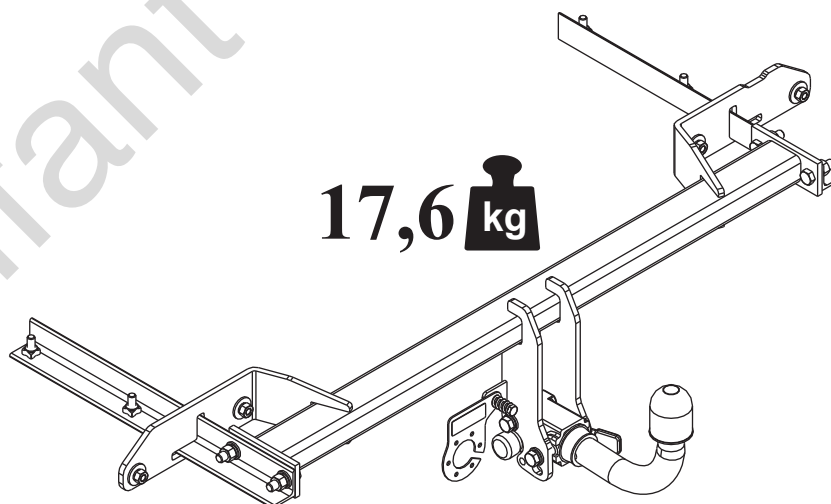
R=1500 kg



S=75 kg



17,6 kg



M6 - 11 Nm
M10 - 50 Nm
M14 - 138 Nm

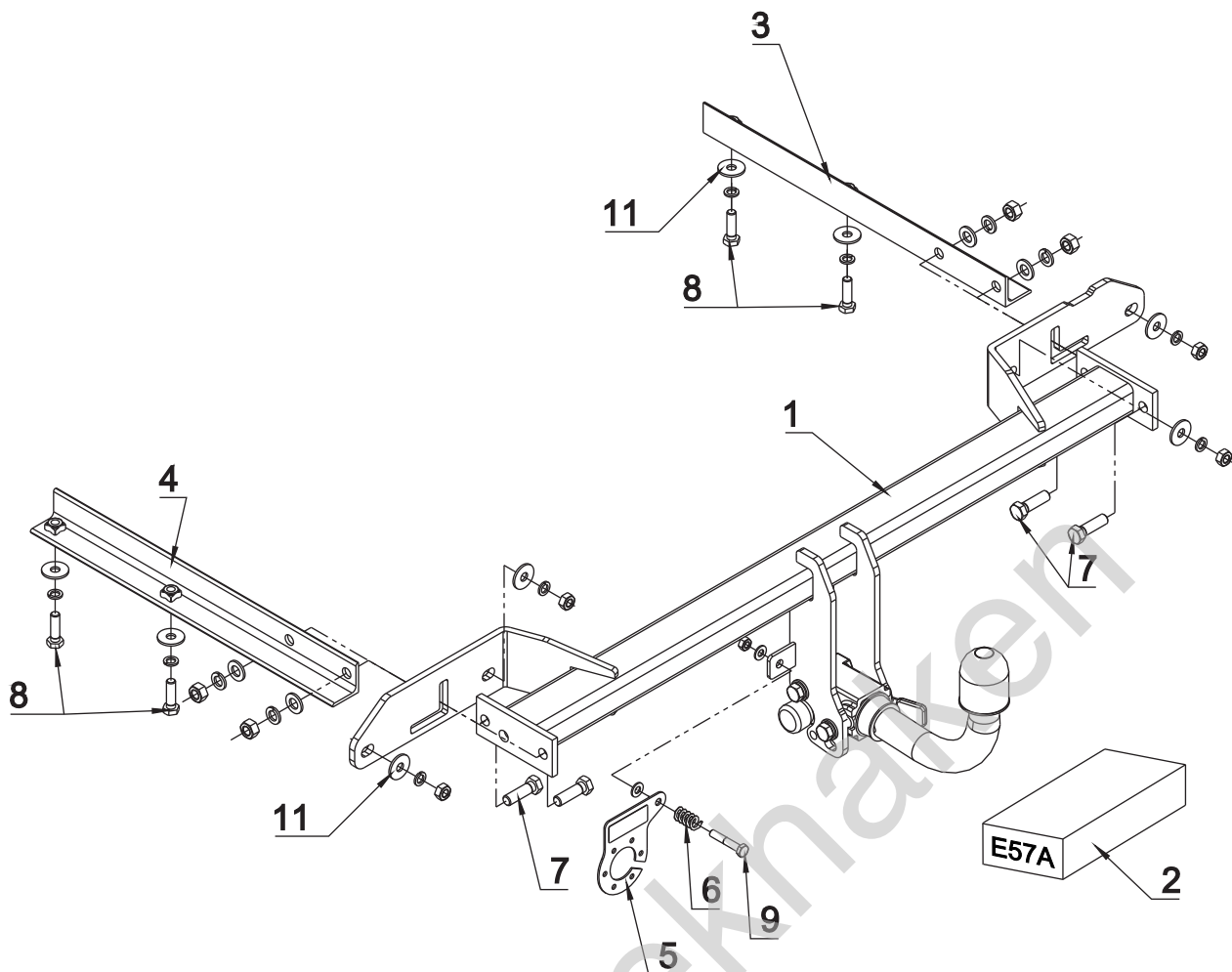
M8 - 25 Nm
M12 - 87 Nm
M16 - 210 Nm

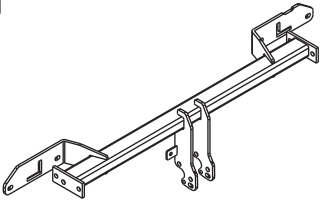

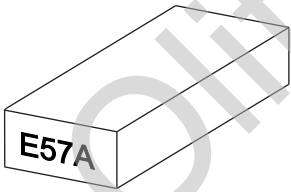

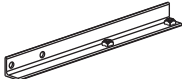
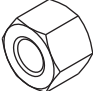
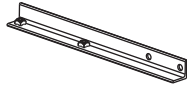
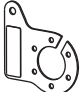



0 km →



1000 km



	x1		7	M12x40	x4
			8	M10x35	x4
			9	M8x45	x1
			10	∅ 13	x4
	x1		11	∅ 30x∅10.5x2.5 10 (DIN 9021)	x8
			12	∅ 8.5	x2
			13	∅ 12.2	x4
			14	∅ 10.2	x8
	x1		15	M12	x4
			16	M10	x4
			17	M8	x1
	x1				
	x1				
	x1				

