

PPUH AUTO-HAK Sp.J.

Henryk & Zbigniew Nejman
ul. Słoneczna 16K 76-200 SŁUPSK
POLAND

tel/fax +48 059 8-414-414; 8-414-413

e-mail: office@autohak.com.pl

www.autohak.com.pl



AUTO-HAK



OPEL MERIVA
5D, VAN, ~~Flex-Fix~~

Cat. no:

E55A



05.2010 →



E20-55R-01 4925

D

8,96 kN



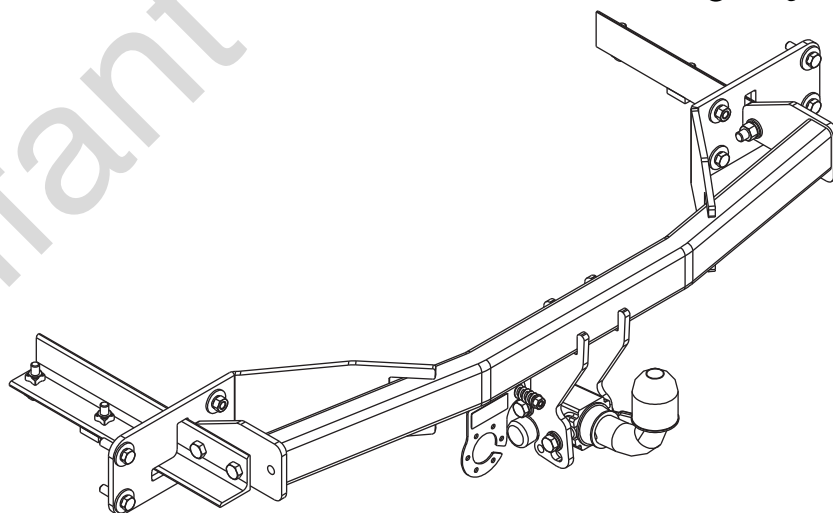
2h



R=1500 kg



S=75 kg



M6 - 11 Nm
M10 - 50 Nm
M14 - 138 Nm

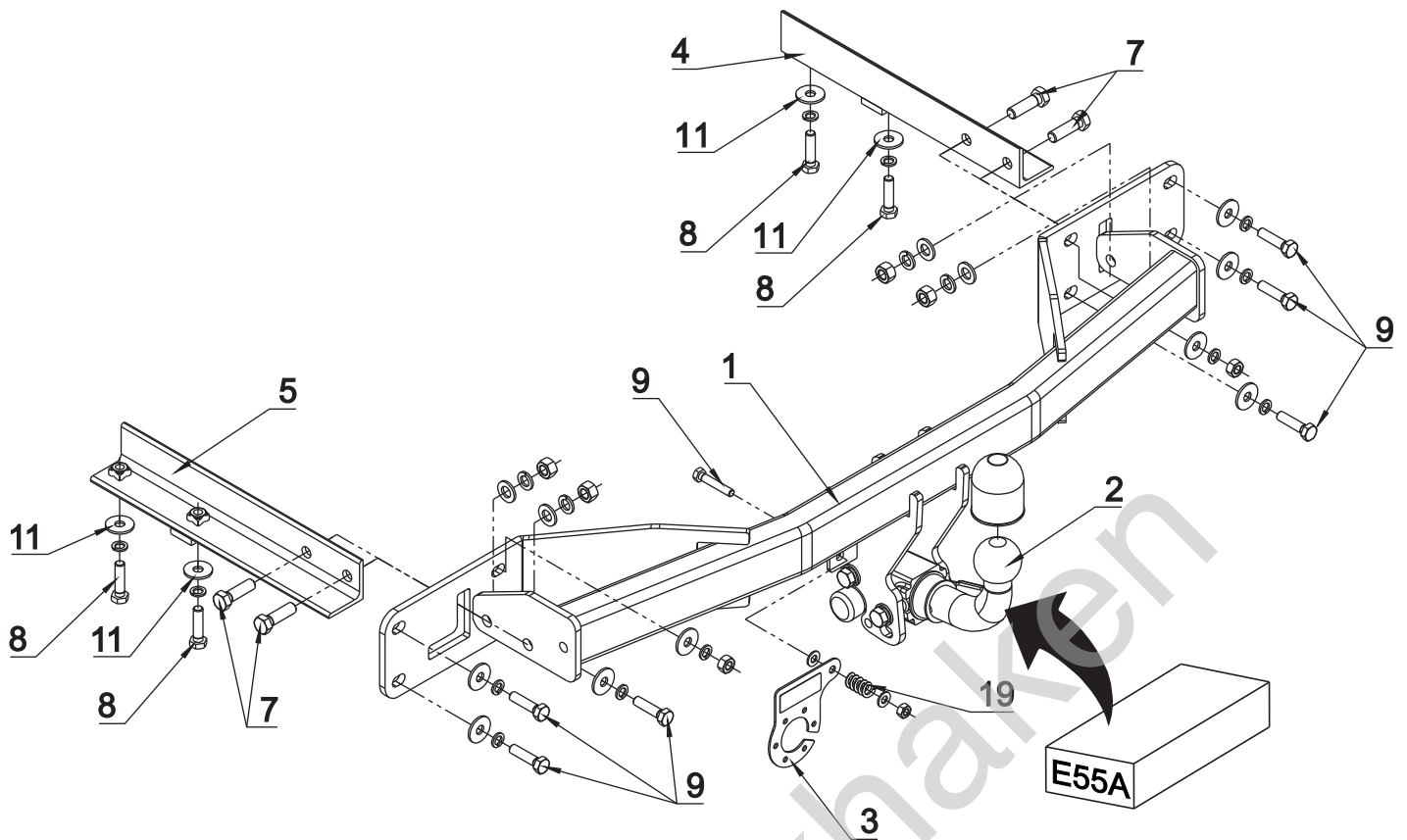
M8 - 25 Nm
M12 - 87 Nm
M16 - 210 Nm

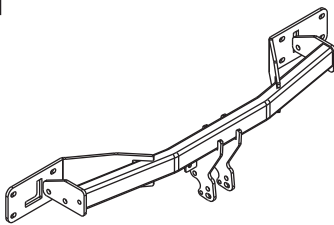

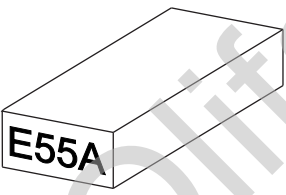

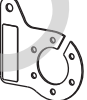
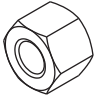
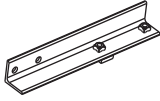
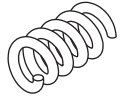
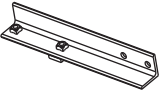



0 km →

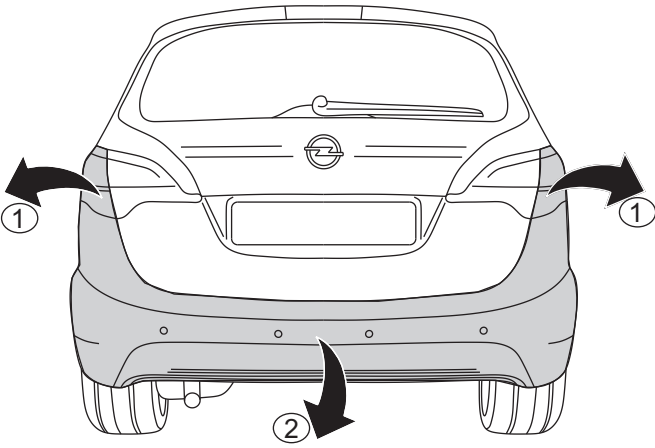


1000 km

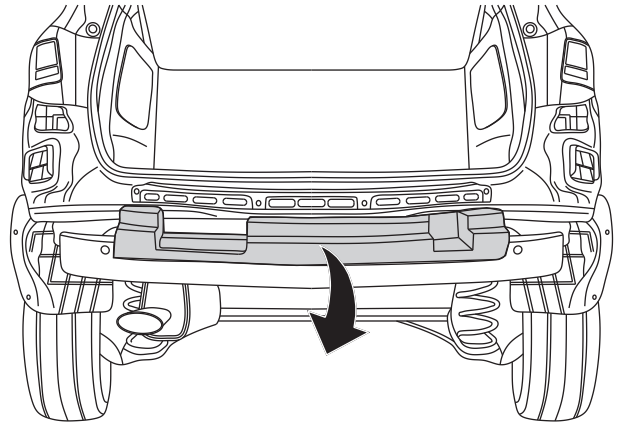


1		x 1		7	M12x40	x 4	
				8	M10x40	x 10	
				9	M8x45	x 1	
				10	∅ 13	x 4	
2		x 1		11	∅ 30x∅10.5x2.5 10 DIN 9021	x 12	
				12	∅ 8.3	x 2	
				13	∅ 12.2	x 4	
				14	∅ 10.2	x 12	
3		x 1		15	M12	x 6	
				16	M10	x 2	
4		x 1	18		17	M8	x 1
5		x 1					
6		x 1					

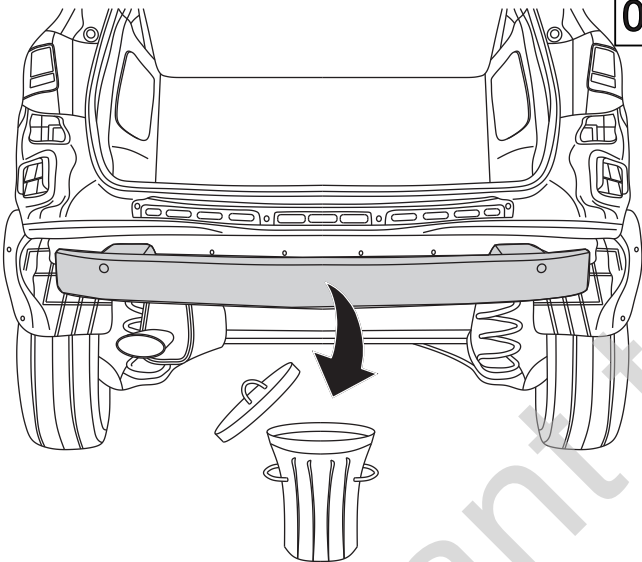
01



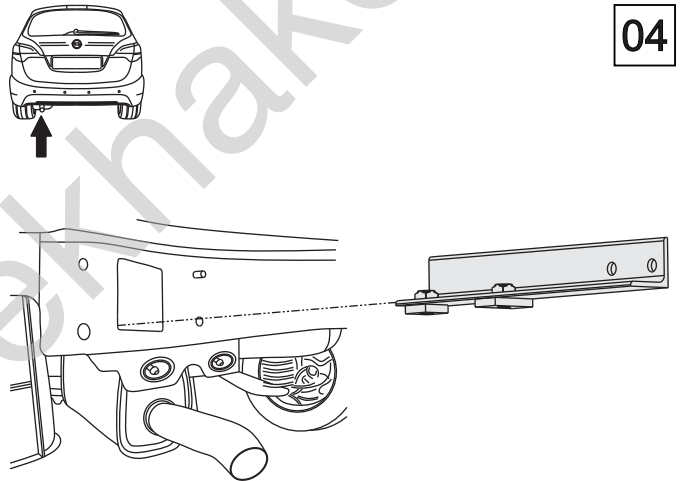
02



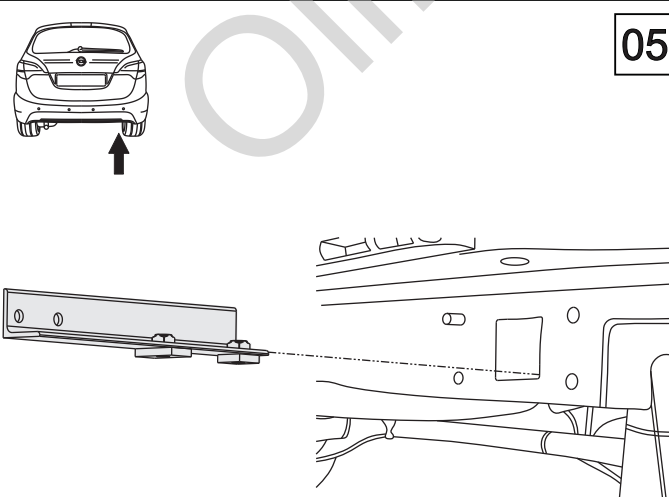
03



04



05



06

