

PPUH AUTO-HAK Sp.J.

Henryk i Zbigniew Nejman
ul. Słoneczna 16K 76-200 SŁUPSK
POLAND

tel/fax +48 59 8 414 414; +48 59 8 414 413

e-mail: office@autohak.com.pl

www.autohak.com.pl



AUTO-HAK



OPEL INSIGNIA
4/5D, KOMBI, 2+4WD

Cat. no:

E52A



09.2008 → 05.2017

e20

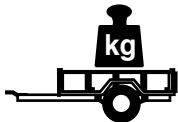
e20*94/20*0745*00

D

10,6 kN



2h



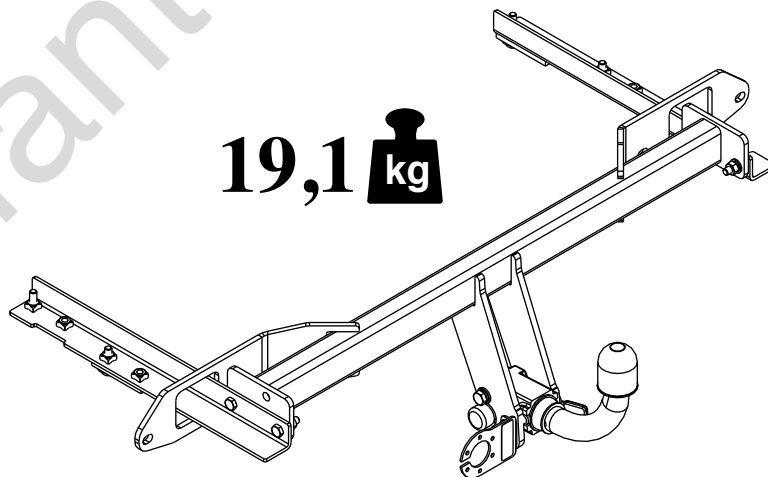
R=2000 kg



S=85 kg



19,1  kg



M6 - 11 Nm
M10 - 50 Nm
M14 - 138 Nm

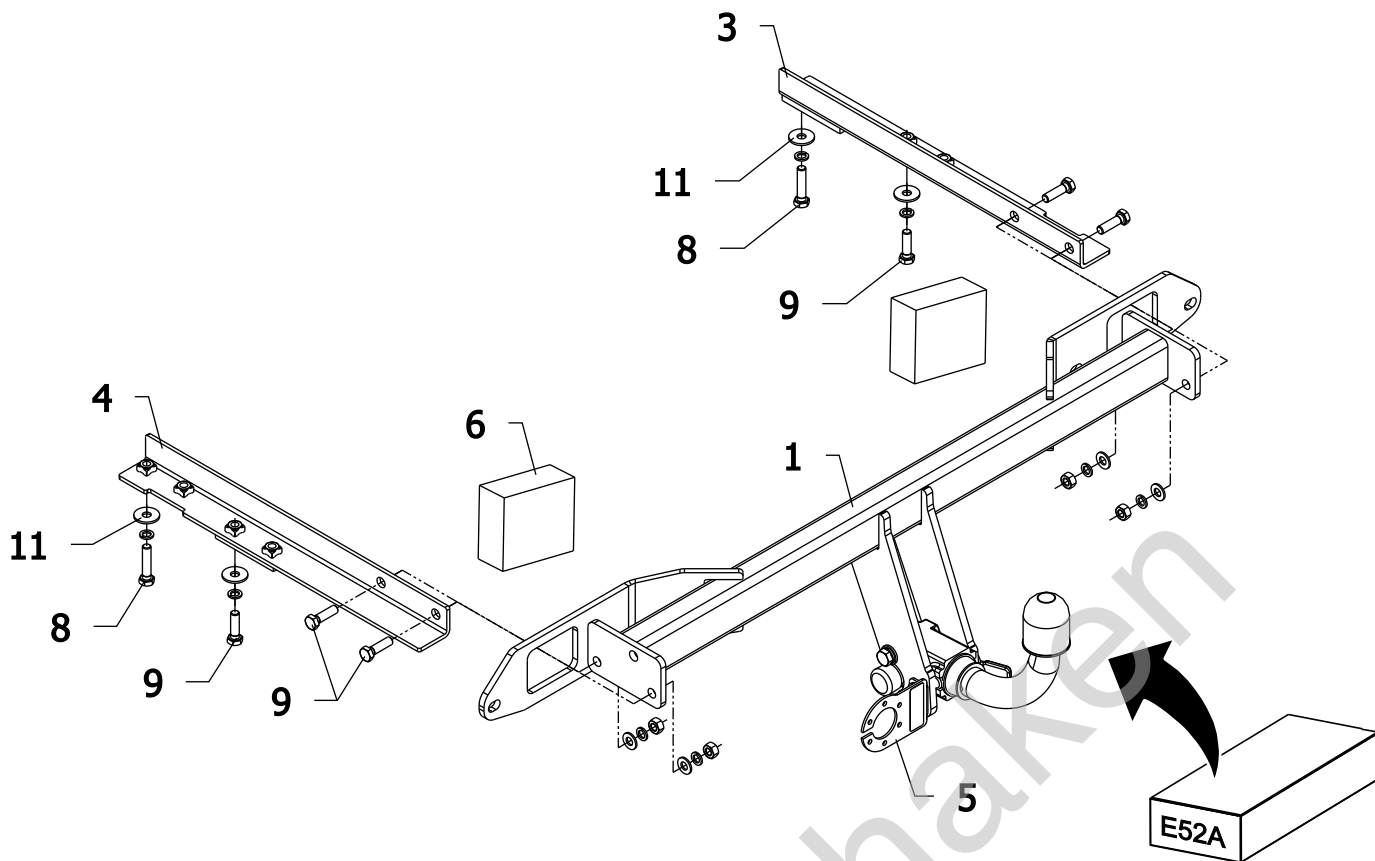
M8 - 25 Nm
M12 - 87 Nm
M16 - 210 Nm

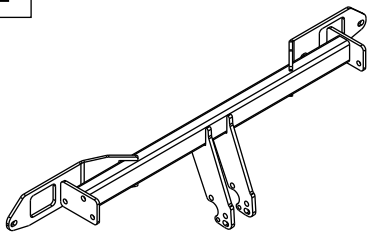


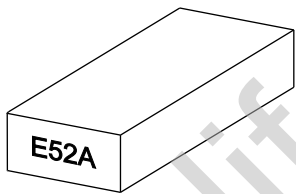

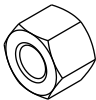

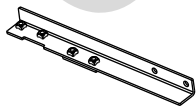
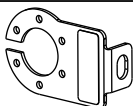
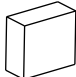
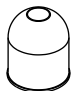


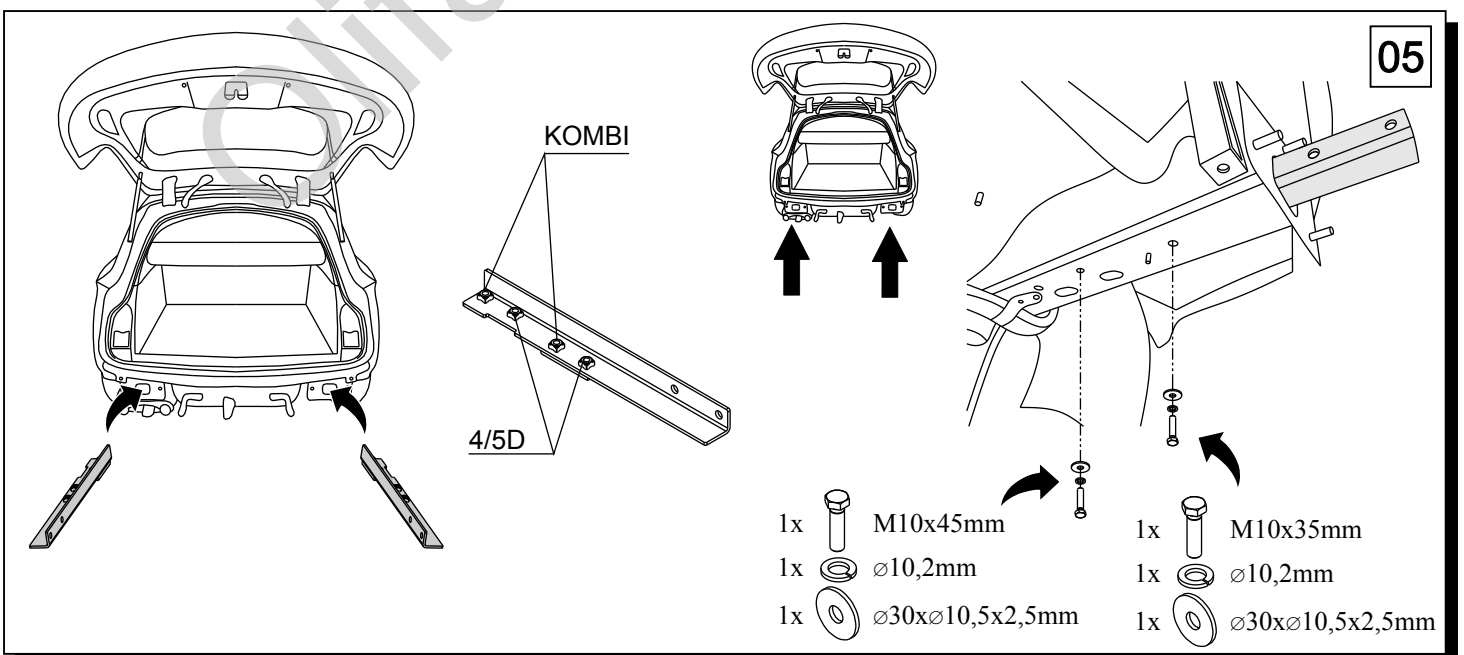
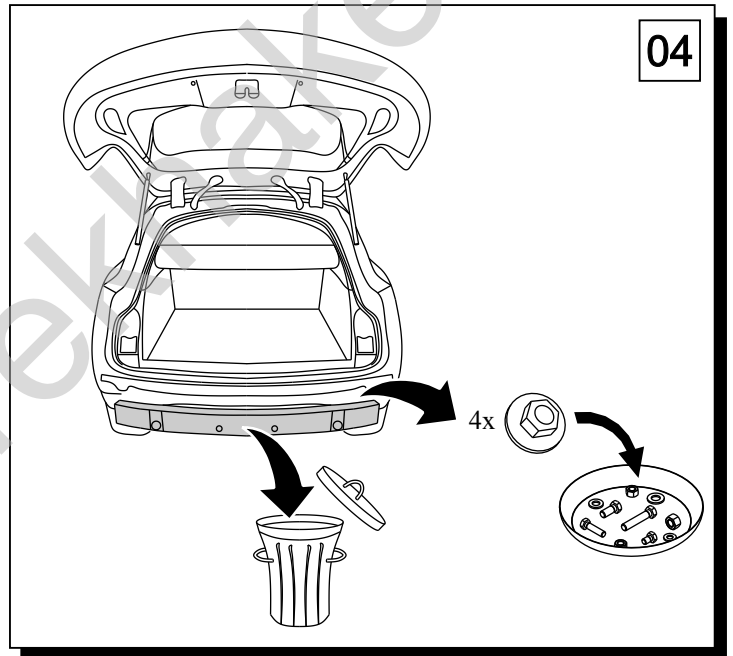
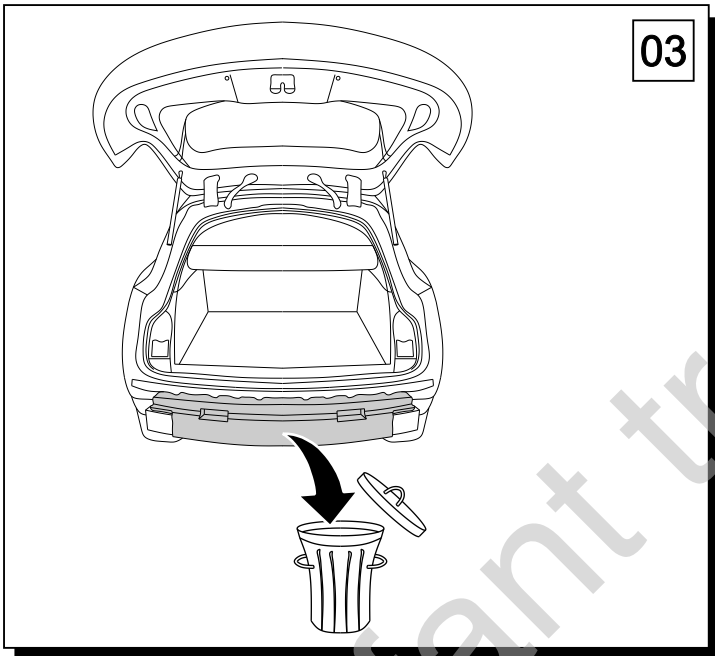
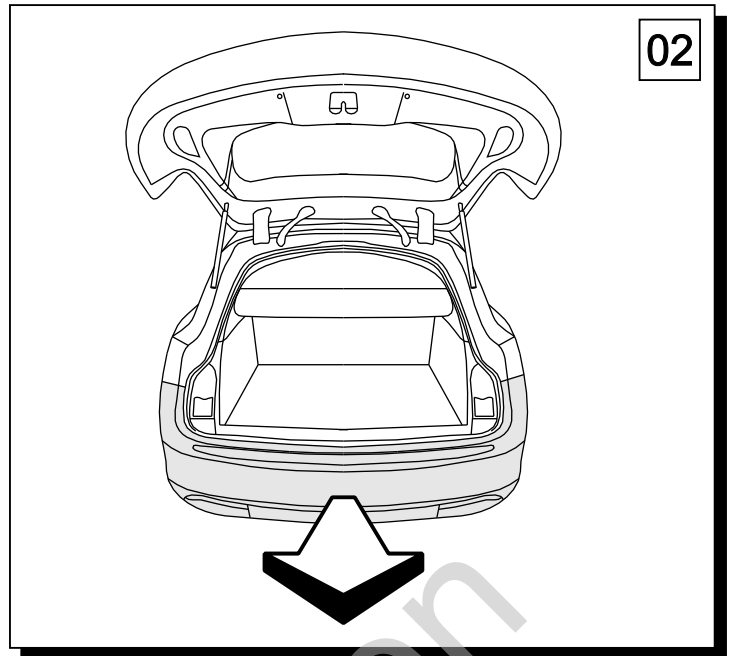
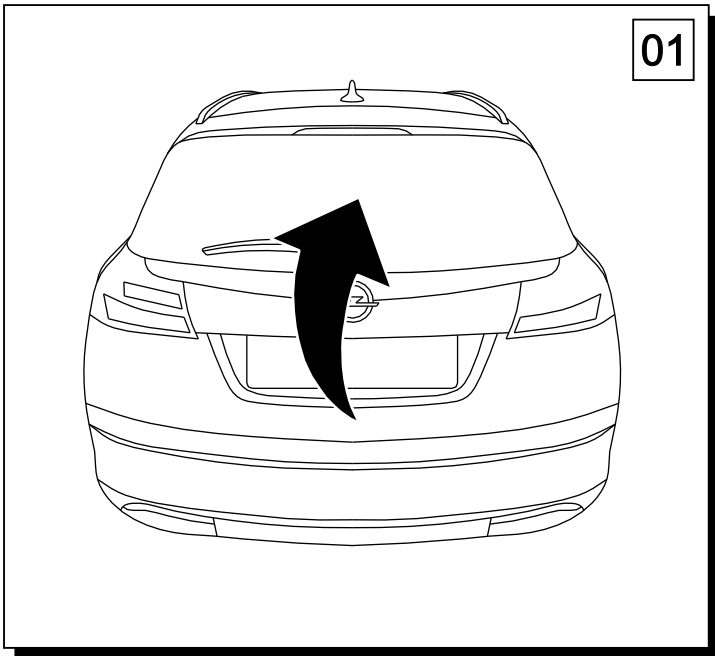
0 km →

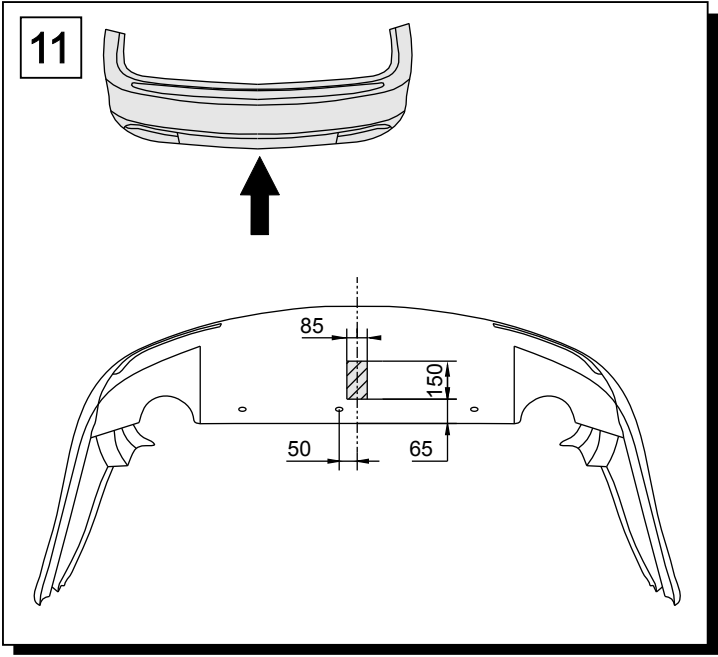
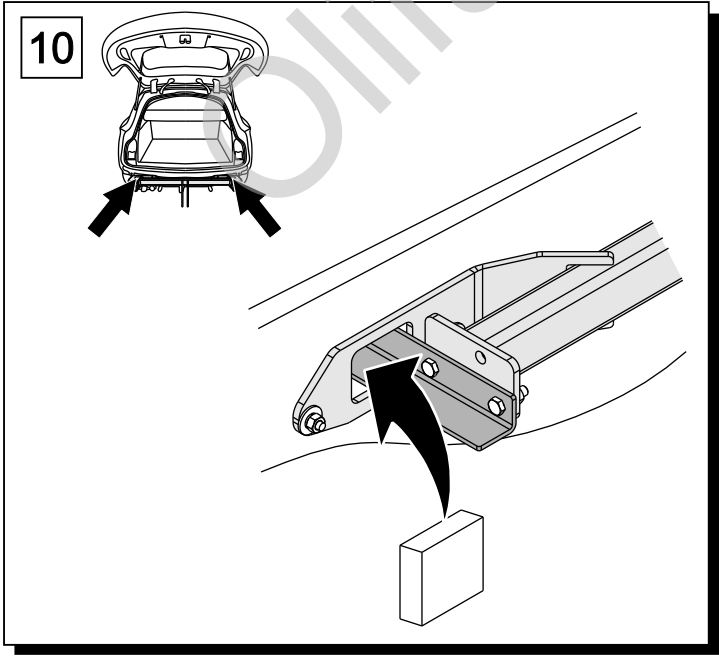
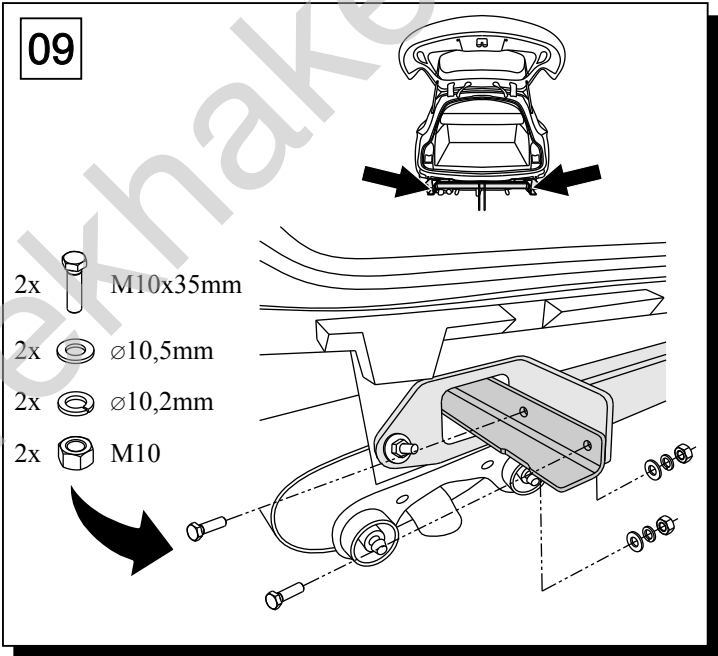
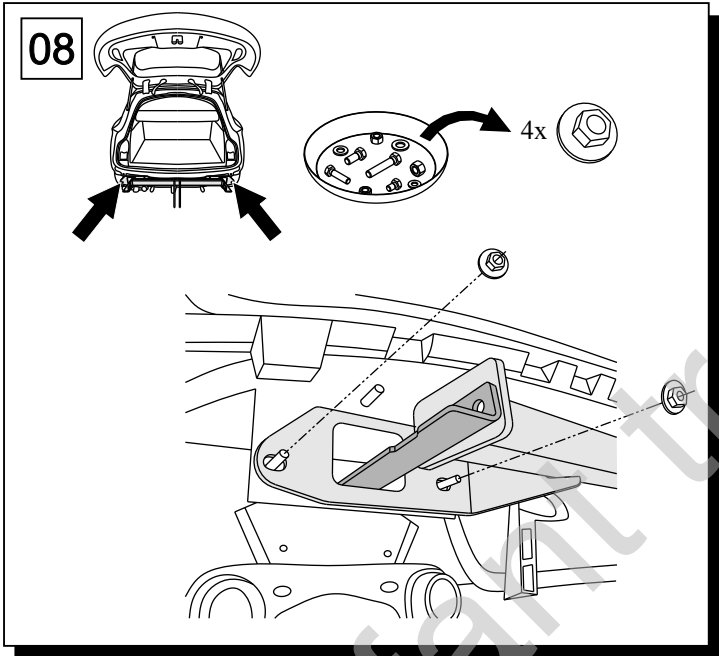
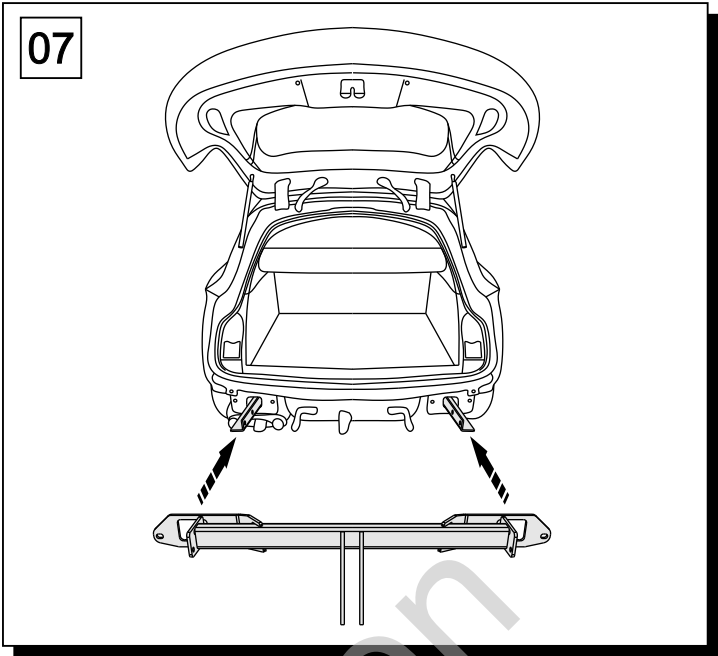
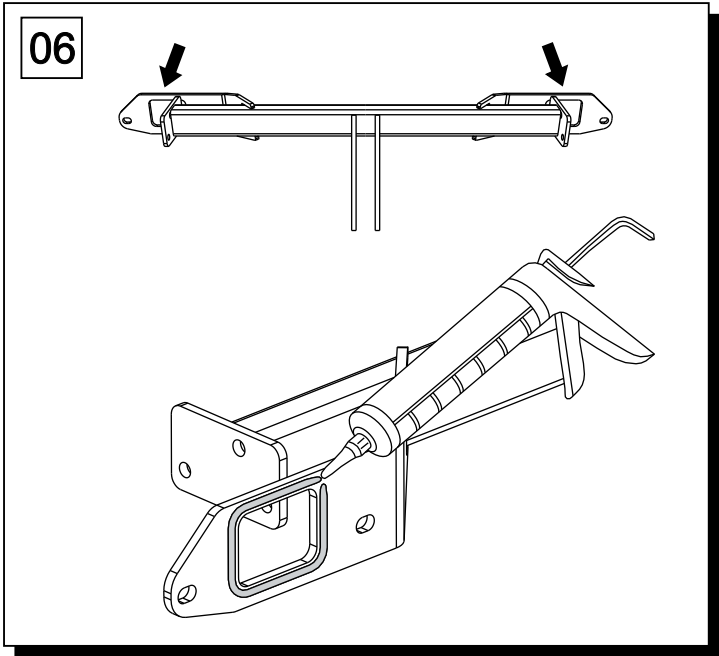


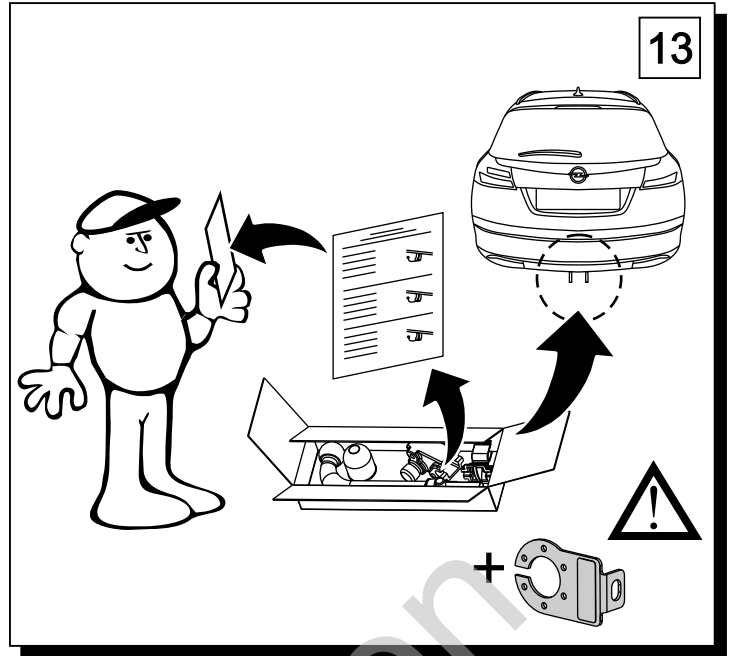
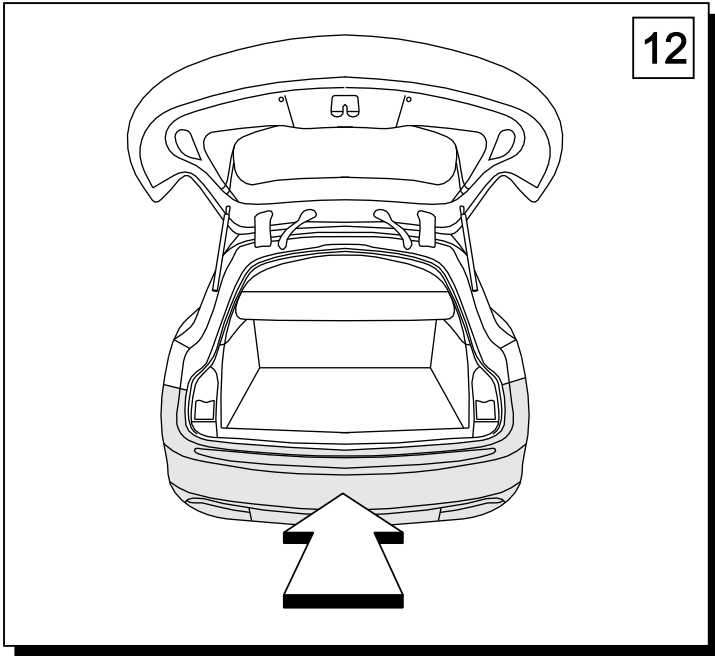
1000 km



1		x1		8	M10x45	x2
				9	M10x35	x6
				10	∅ 10.5	x4
				11	∅ 30x∅10.5x2.5 10 DIN 9021	4
2	 Art.nr-KL1E52A	x1		12	∅ 10.2	x8
				13	M10	x4
3		x1				
4		x1				
5	 Art.nr-BL1E52A	x1				
6	 80x80x30mm	x2				
7		x1				







Olifant trekhaken