

PPUH AUTO-HAK Sp.J.

Henryk i Zbigniew Nejman
ul. Słoneczna 16K 76-200 SŁUPSK
POLAND

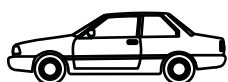
tel/fax +48 59 8 414 414; +48 59 8 414 413

e-mail: office@autohak.com.pl

www.autohak.com.pl



AUTO-HAK



OPEL ZAFIRA B
5 d., VAN, ~~OPC~~, ~~CNG~~

Cat. no:

E48A



07.2005 → 12.2014



E20-55R-01 4311



2h



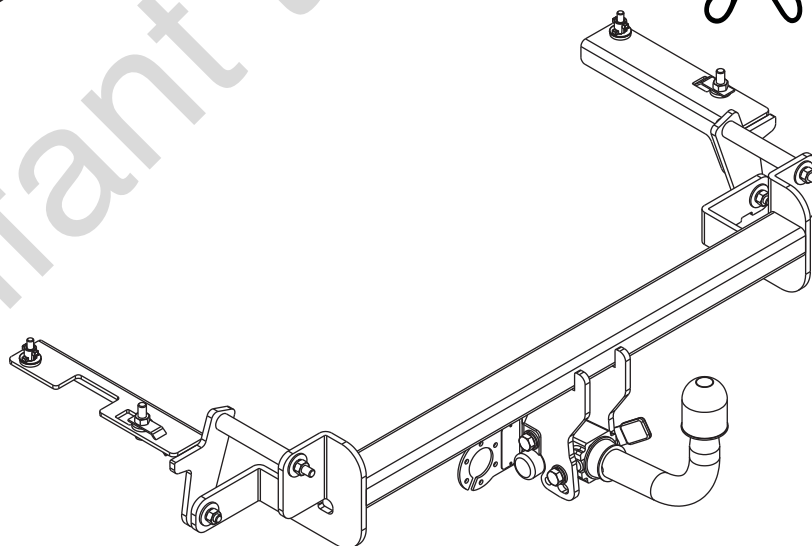
9,6 kN



R=1650 kg



S=75 kg



M6 - 11 Nm
M10 - 50 Nm
M14 - 138 Nm

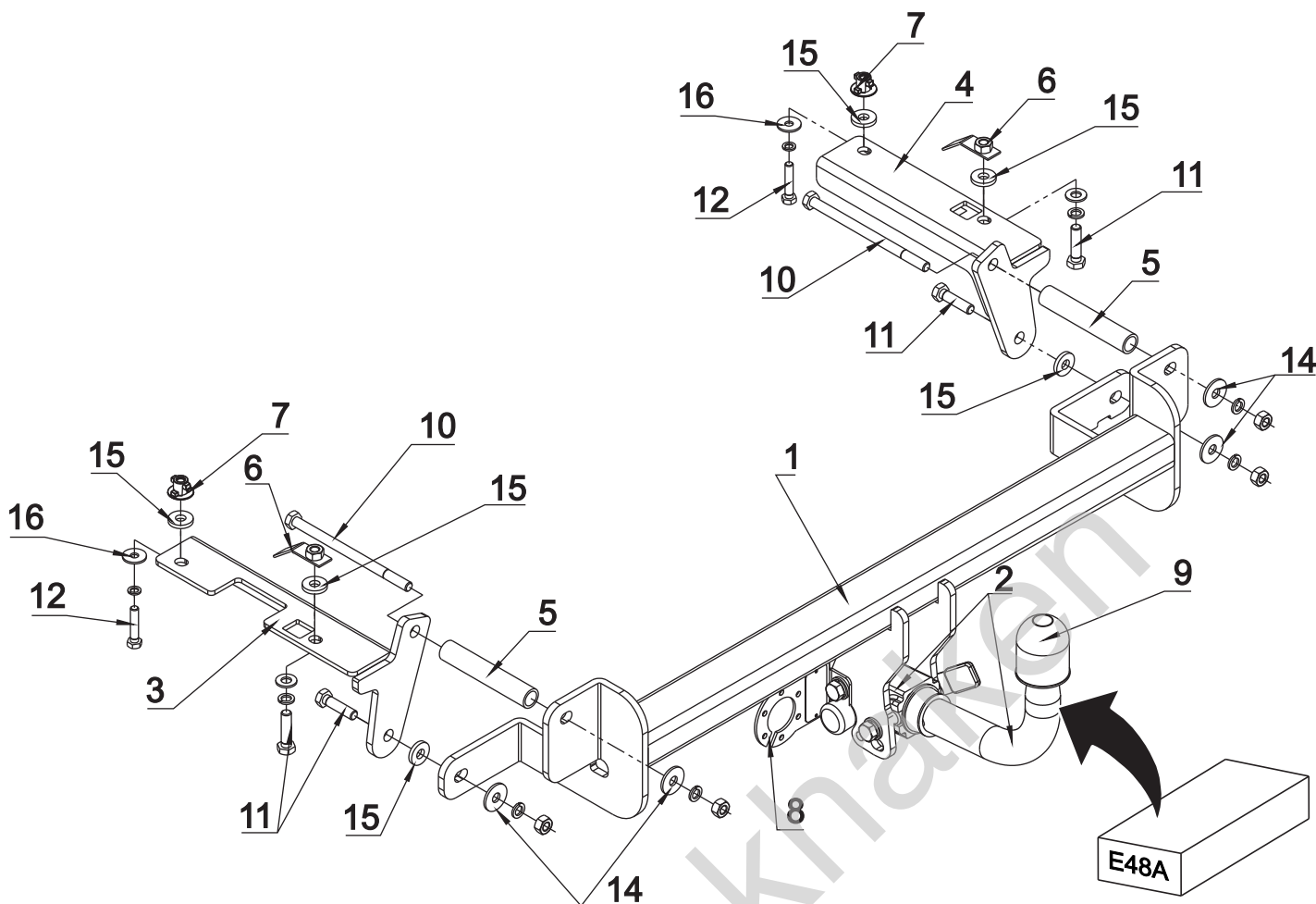
M8 - 25 Nm
M12 - 87 Nm
M16 - 210 Nm

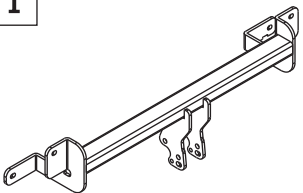


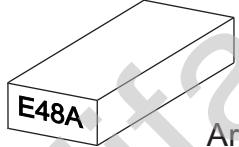
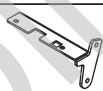


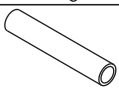

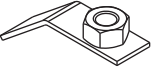

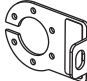



0 km →

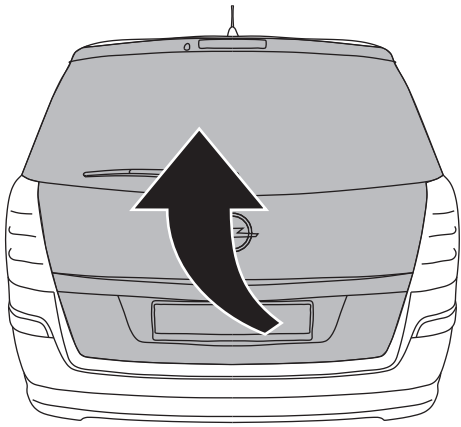


1000 km

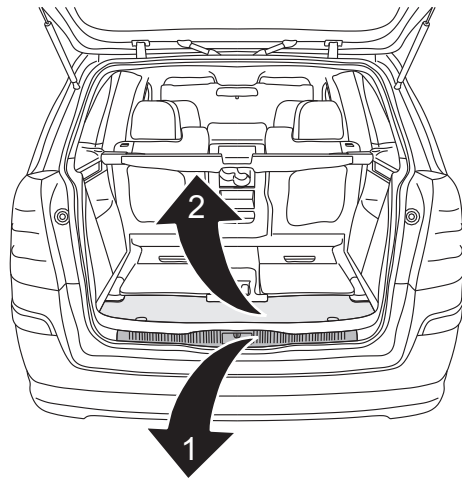


1		x1		10	M10x170	x2
				11	M10x40	x4
				12	M8x40	x2
				13	∅ 10.5	x2
2		x1		14	∅ 30x∅10.5x2.5 10 DIN 9021	x4
	Art.nr-KL1E48A			15	∅ 25x∅10,5x4 10 DIN 9021	x6
3		x1		16	∅ 24x∅8.4x2 8 DIN 9021	x2
4		x1		17	∅ 12.2	x2
				18	∅ 10.2	x6
				19	∅ 8.2	x2
5		x2		20	M12	x2
	∅22x5mm L=118mm lub ∅22x4mm L=118mm			21	M10	x4
6		x2				
7		x2				
8		x1				
9		x1				
	Art.nr-BL1E48A					

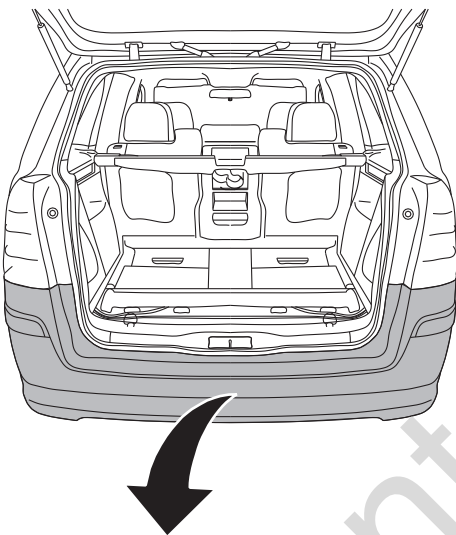
01



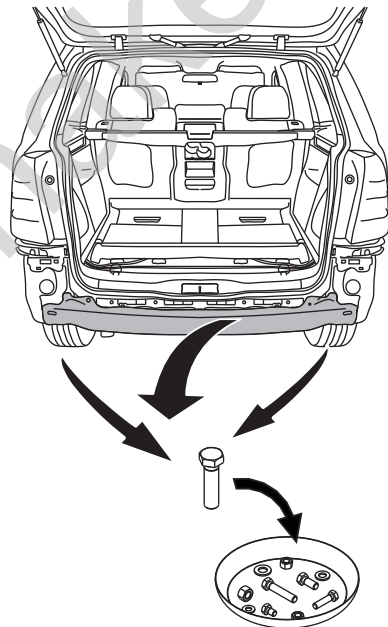
02



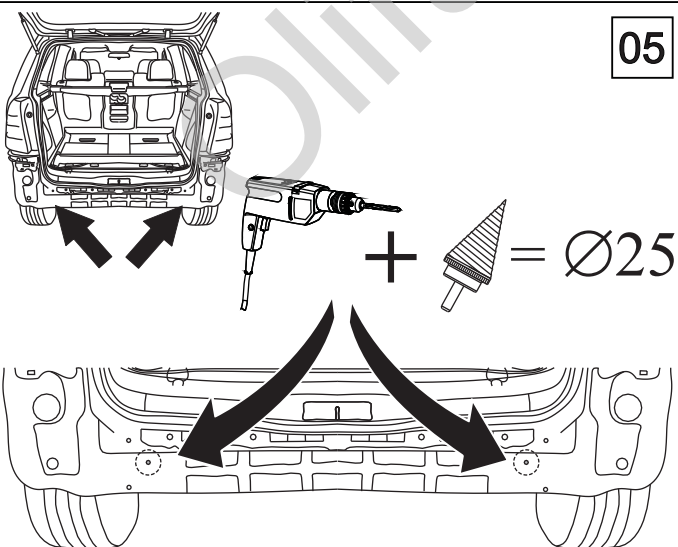
03



04



05



06

