

# PPUH AUTO-HAK Sp.J.

Henryk i Zbigniew Nejman  
ul. Słoneczna 16K 76-200 SŁUPSK  
POLAND

tel/fax +48 59 8 414 414; +48 59 8 414 413

e-mail: [office@autohak.com.pl](mailto:office@autohak.com.pl)

[www.autohak.com.pl](http://www.autohak.com.pl)



# AUTO-HAK



## OPEL ASTRA (H) CARAVAN KOMBI

Cat. no:

**E46A**



09.2004 → 08.2010



E20-55R-01 3992



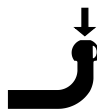
9,5 kN



2h



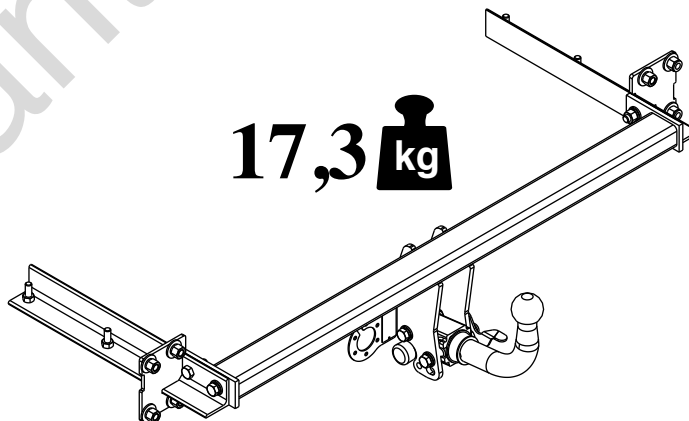
R=1650 kg



S=75 kg



17,3 kg



M6 - 11 Nm  
M10 - 50 Nm  
M14 - 138 Nm

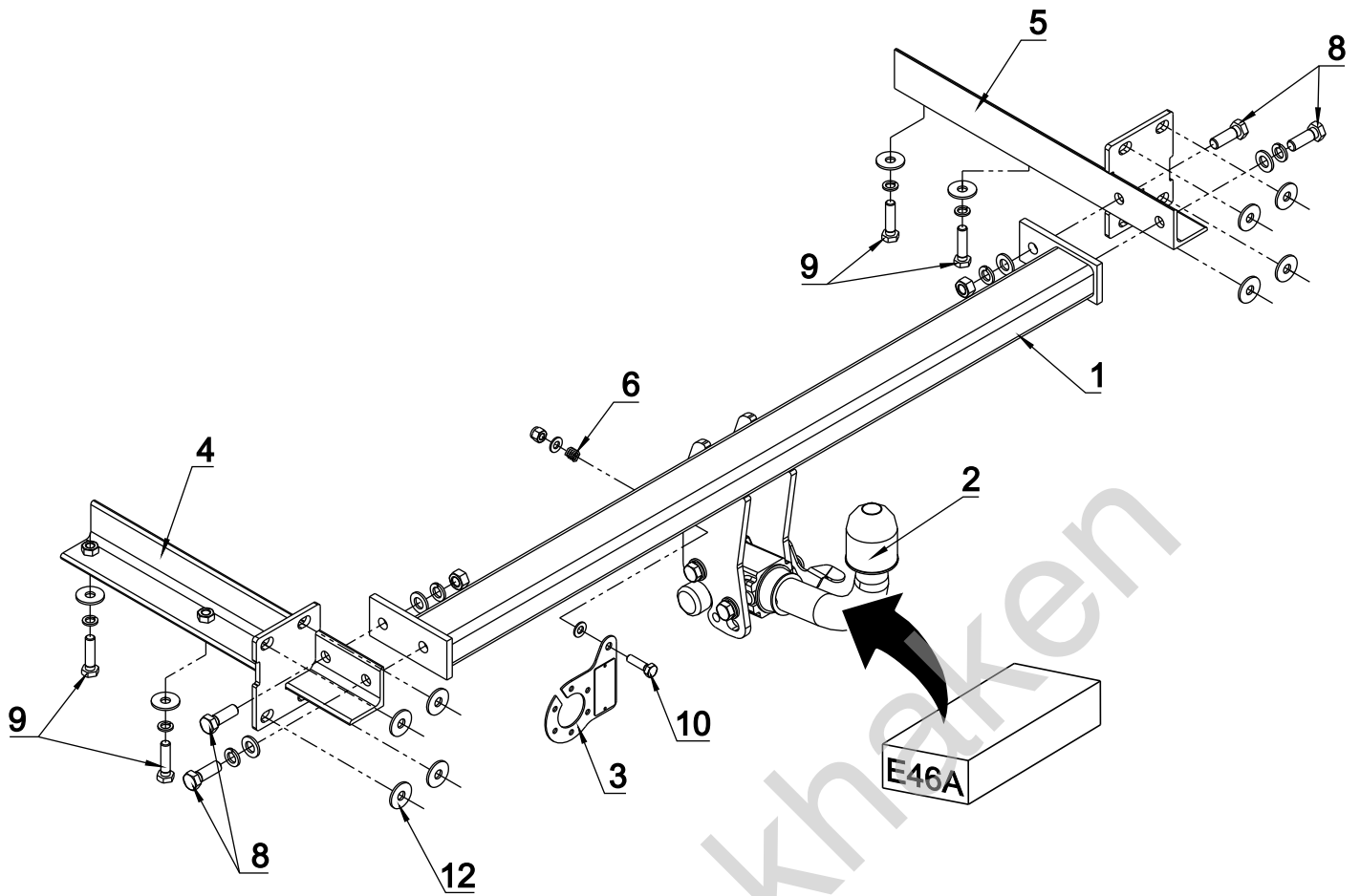
M8 - 25 Nm  
M12 - 87 Nm  
M16 - 210 Nm

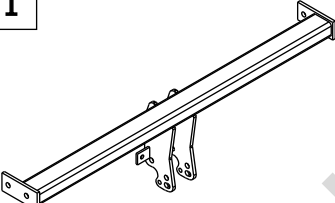

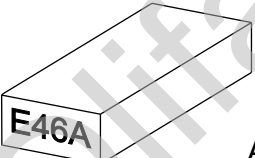

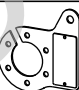

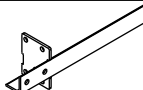

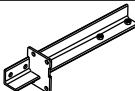


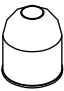


0 km →



1000 km



1		x 1		8	M12x35	x 4
				9	M10x40	x 4
2		x 1		10	M 8x30	x 1
				11	∅ 13	x 4
3		x 1		12	∅ 30x∅10.5x2.5 10 – DIN 9021	x 12
				13	∅ 8,3	x 2
4		x 1		14	∅ 12.2	x 4
				15	∅ 10.2	x 4
5		x 1		16	M12	x 2
				17	M8	x 1
6		x 1				
7		x 1				

