

PPUH AUTO-HAK Sp.J.

Henryk i Zbigniew Nejman
ul. Słoneczna 16K 76-200 SŁUPSK
POLAND

tel/fax +48 59 8 414 414; +48 59 8 414 413

e-mail: office@autohak.com.pl

www.autohak.com.pl



AUTO-HAK



**OPEL ASTRA (H), 3/5D
GTC, OPC**

Cat. no:

E45A



04.2004 → 11.2010

e20

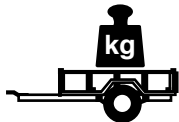
e20*94/20*1059*00

D

9,5 kN



2h



R=1650 kg



-

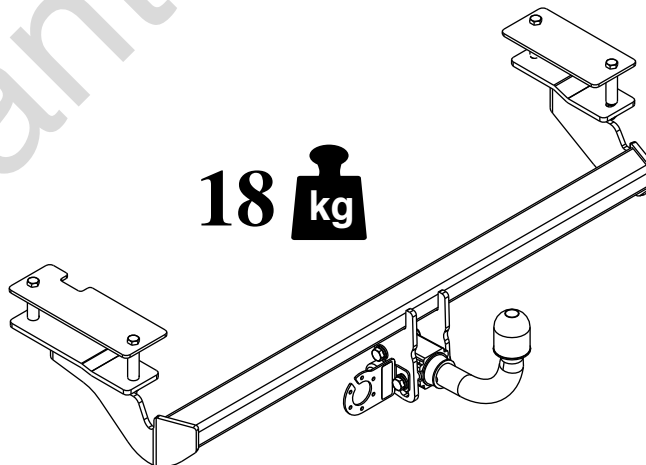


S=75 kg



-

18 kg



**M6 - 11 Nm
M10 - 50 Nm
M14 - 138 Nm**

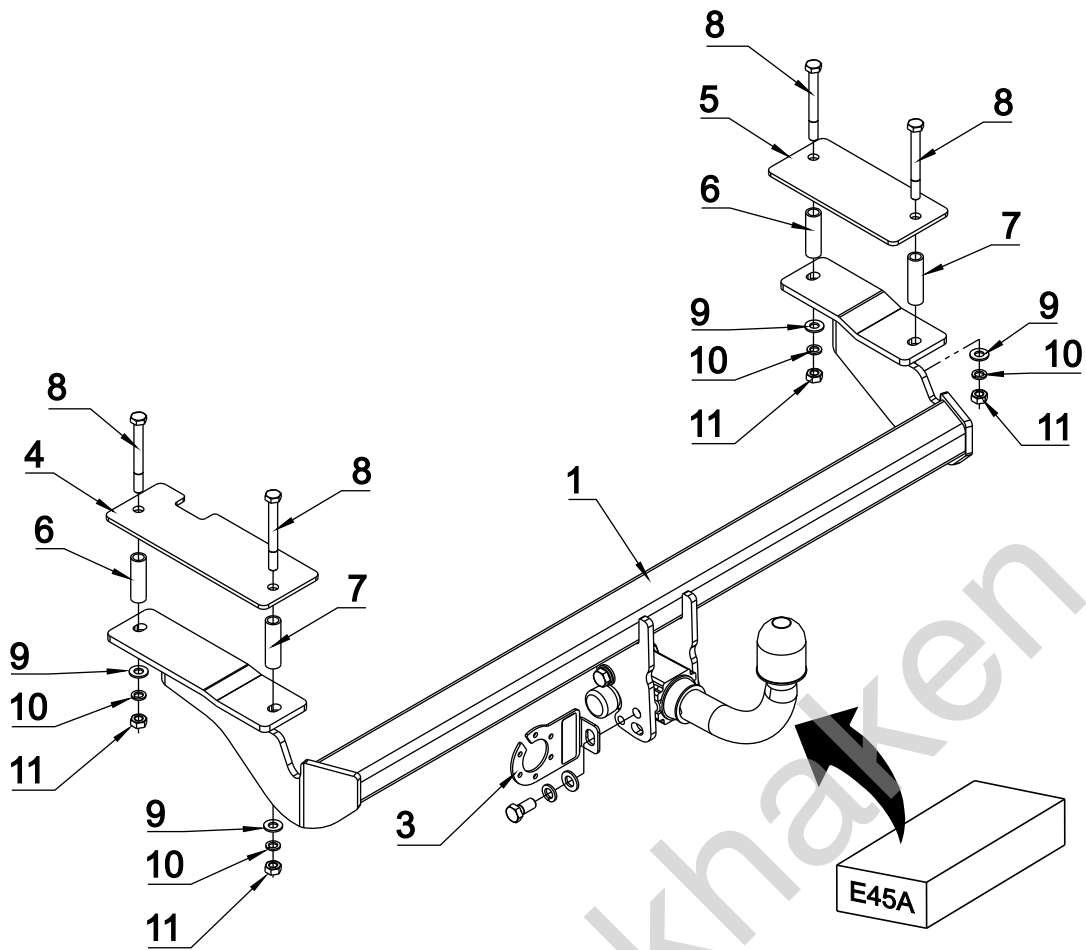
**M8 - 25 Nm
M12 - 87 Nm
M16 - 210 Nm**

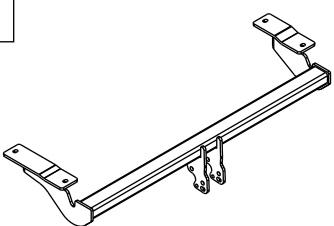



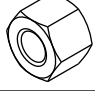
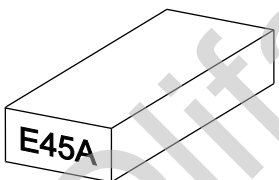
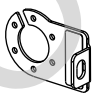
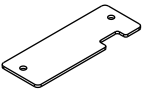
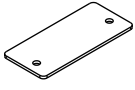
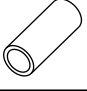
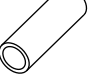


0 km →



1000 km



	x 1		8 M10x95	x 4
			9 \varnothing 10.5	x 4
			10 \varnothing 10.2	x 4
			11 M10	x 4
	x 1	Art. nr-KL1E45A		
	x 1	Art. nr-BL1E45A		
	x 1			
	x 1			
	x 2	\varnothing 17,2x2,35 L=56mm		
	x 2	\varnothing 17,2x2,35 L=60mm		

