

# PPUH AUTO-HAK Sp.J.

Henryk & Zbigniew Nejman  
ul. Słoneczna 16K 76-200 SŁUPSK  
POLAND

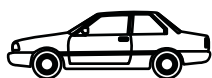
tel/fax +48 059 8-414-414; 8-414-413

e-mail: [office@autohak.com.pl](mailto:office@autohak.com.pl)

[www.autohak.com.pl](http://www.autohak.com.pl)



# AUTO-HAK



**OPEL MERIVA**  
5 drz. VAN, ~~OPC~~

Cat. no:

**E42A**



04.2003 → 04.2010



E20-55R-01 5619



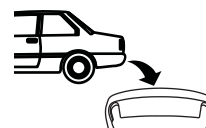
8,3kN



2h



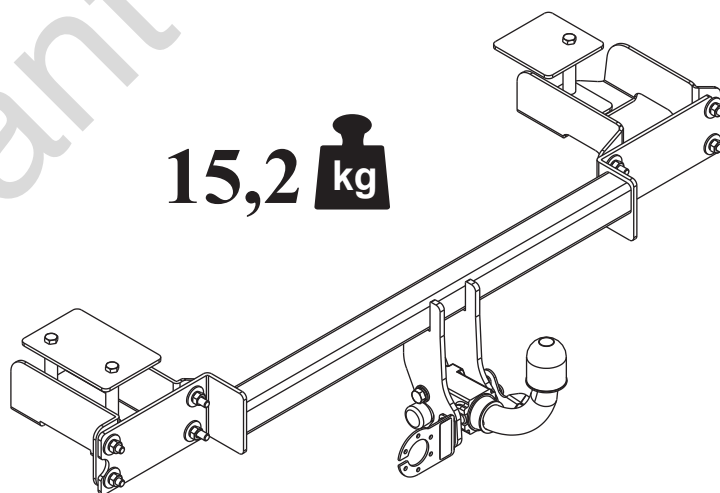
R=1300 kg



S=60 kg



15,2 kg



M6 - 11 Nm  
M10 - 50 Nm  
M14 - 138 Nm

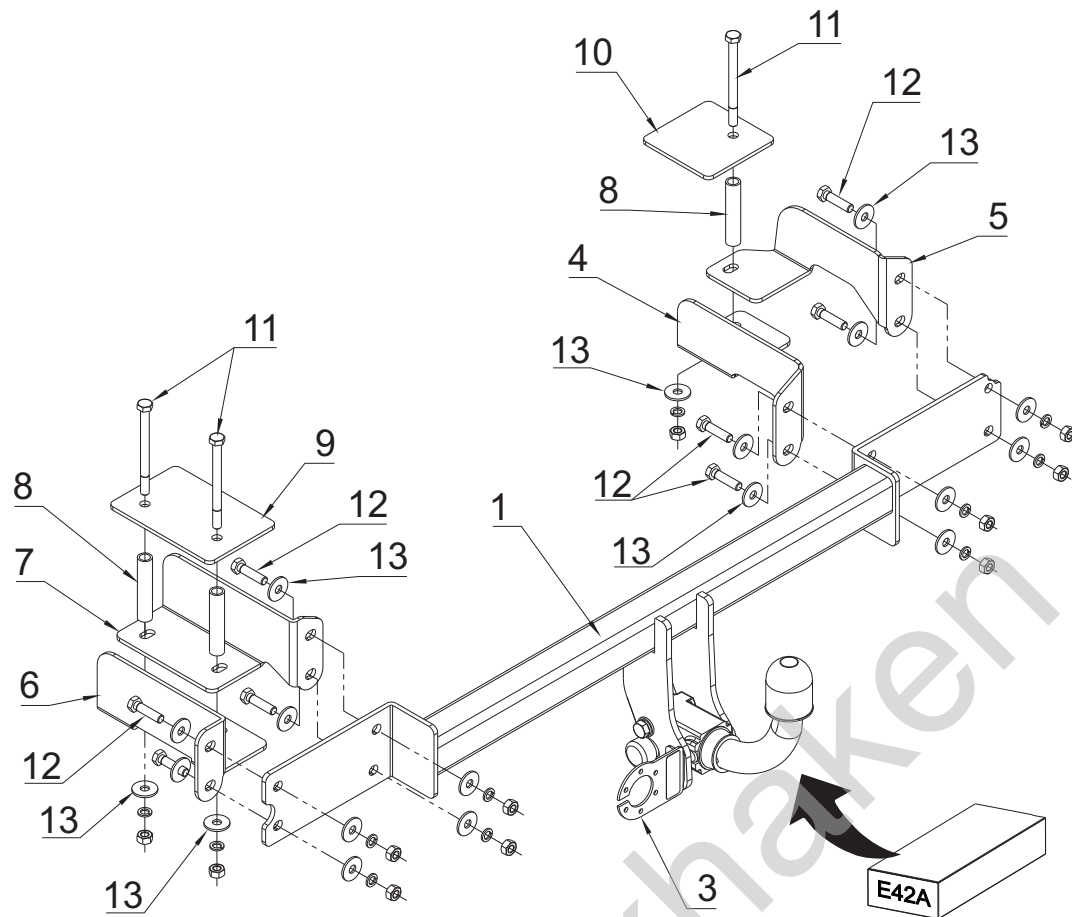
M8 - 25 Nm  
M12 - 87 Nm  
M16 - 210 Nm

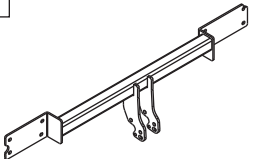
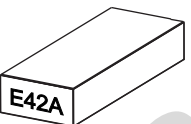




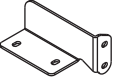
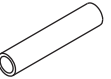
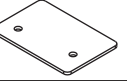



0 km →



1000 km



1		x1	11	M10x120	x3
			12	M10x40	x8
			13	∅ 30x∅10.5x2.5 10 (DIN 9021)	x19
2		x1	14	∅ 10.2	x11
	Art.nr-KL1E42A		15	M10	x11
3		x1			
	Art.nr-BL1E42A				
4		x1			
5		x1			
6		x1			
7		x1			
8		x3			
	∅17,2x2,35mm L=85mm				
9		x1			
	165x110x5mm				
10		x1			
	110x110x5mm				

