

PPUH AUTO-HAK Sp.J.

Henryk & Zbigniew Nejman
ul. Słoneczna 16K 76-200 SŁUPSK
POLAND

tel/fax +48 059 8-414-414; 8-414-413

e-mail: office@autohak.com.pl

www.autohak.com.pl



AUTO-HAK



OPEL ZAFIRA A
5D, VAN, (F75), ~~OPC~~

Cat. no:

E35A



04.1999 → 06.2005

e20

e20*94/20*0406*00



2 h

D

8,9 kN



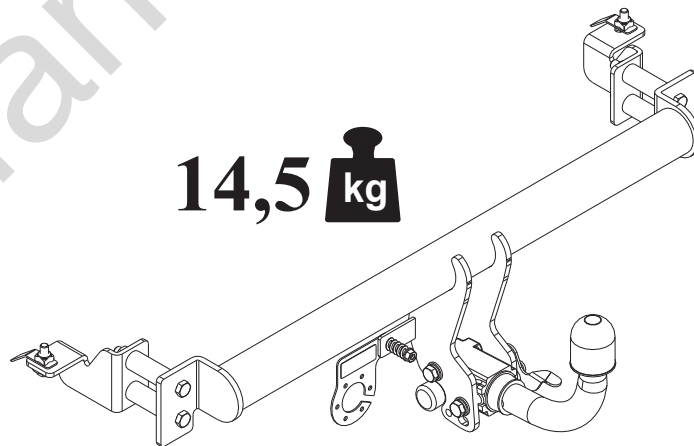
R=1600 kg



S=75 kg



14,5 kg



M6 - 11 Nm
M10 - 50 Nm
M14 - 138 Nm

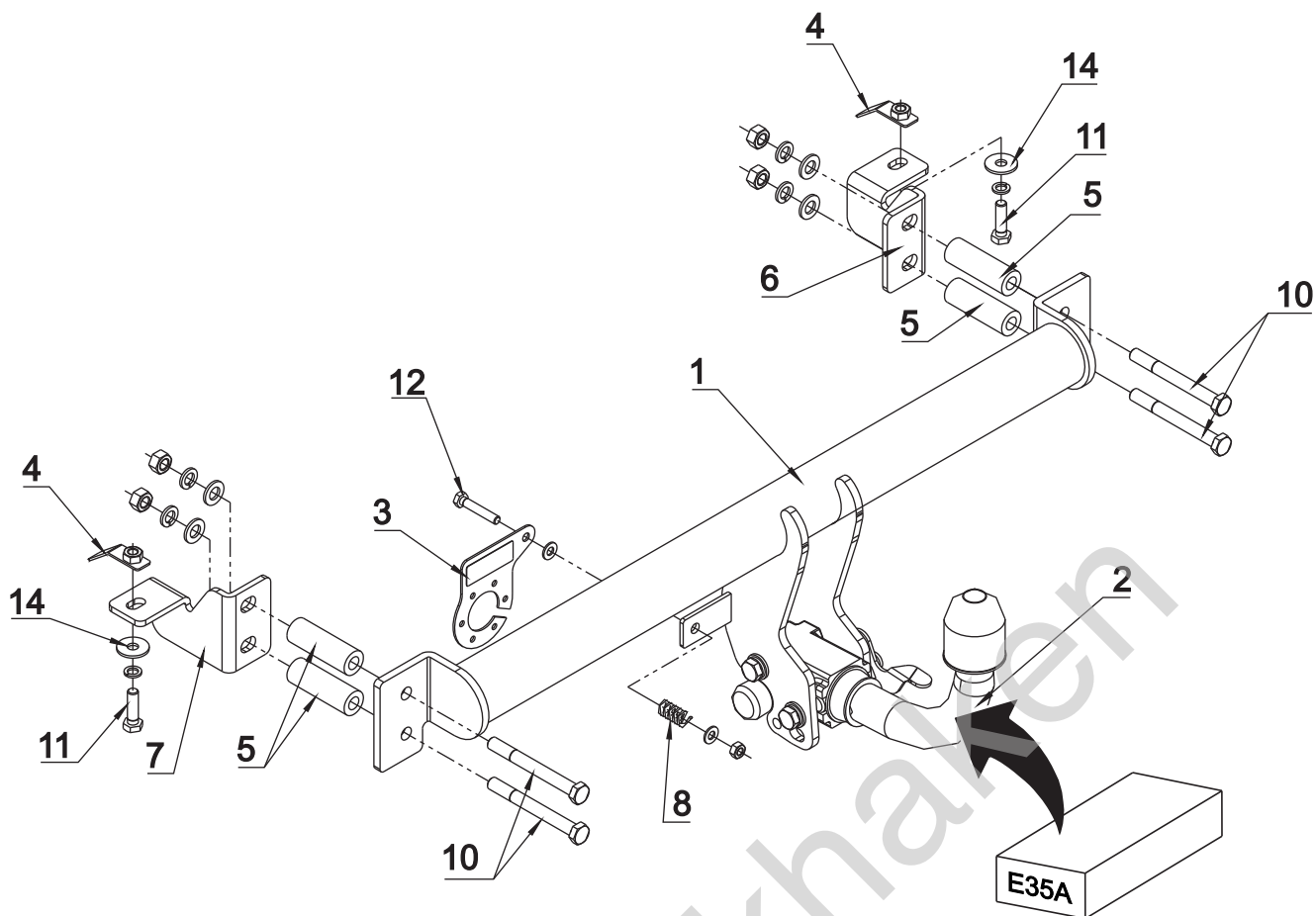
M8 - 25 Nm
M12 - 87 Nm
M16 - 210 Nm

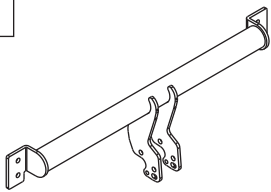

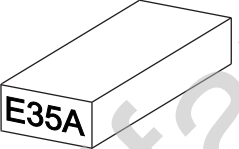





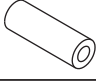
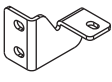
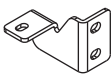




0 km →



1000 km



1		x 1		10	M12x120	x 4
				11	M10x35	x 2
2		x 1		12	M8x45	x 1
				13	∅ 13	x 4
3		x 1		14	∅ 30x∅10.5x2.5 10 (DIN 9021)	x 2
				15	∅ 8.3	x 2
4		x 2		16	∅ 12.2	x 4
				17	∅ 10.2	x 2
5		x 4		18	M12	x 6
6		x 1		19	M8	x 1
7		x 1				
8		x 1				
9		x 1				

