

PPUH AUTO-HAK Sp.J.

Henryk i Zbigniew Nejman
ul. Słoneczna 16K 76-200 SŁUPSK
POLAND

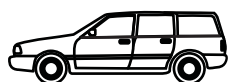
tel/fax +48 59 8 414 414; +48 59 8 414 413

e-mail: office@autohak.com.pl

www.autohak.com.pl



AUTO-HAK



OPEL ASTRA (G) Kombi

Caravan

~~CNG~~

Cat. no:

E23A



03.1998 → 08.2004



E20-55R-01 4733



2h

D

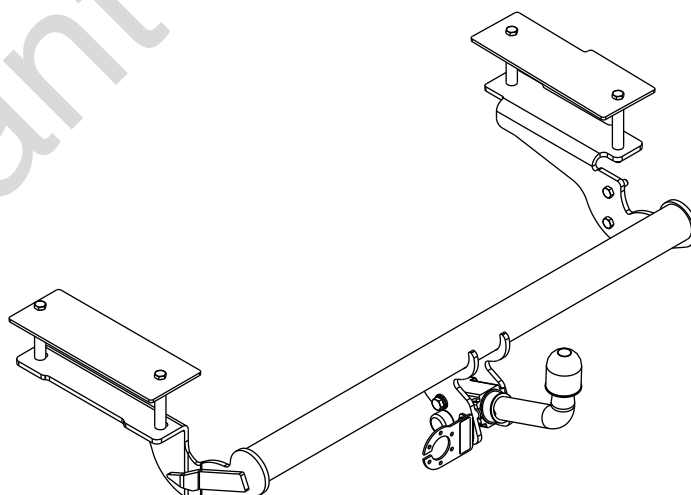
8,6 kN



R=1500 kg



S=75 kg



M6 - 11 Nm
M10 - 50 Nm
M14 - 138 Nm

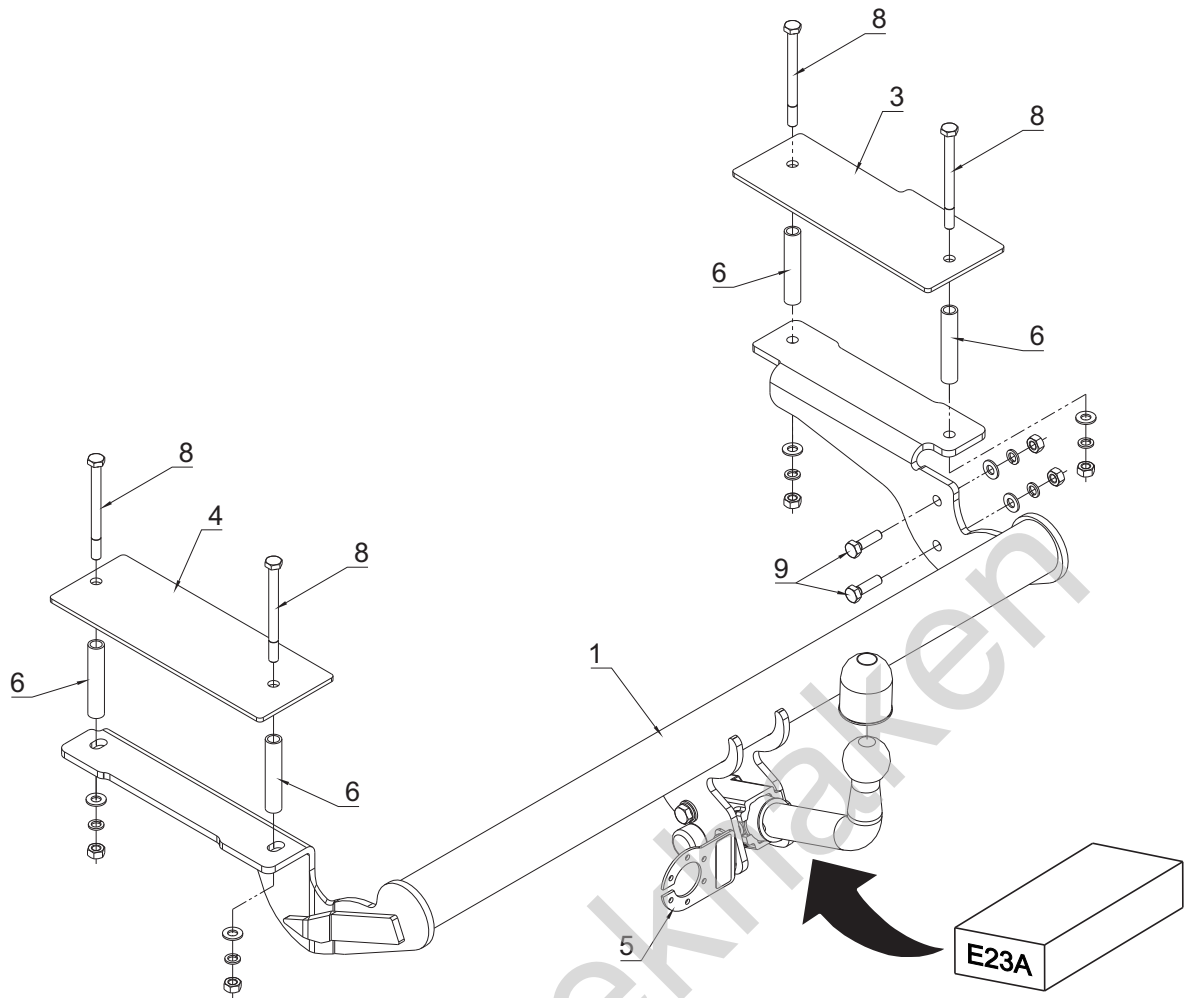
M8 - 25 Nm
M12 - 87 Nm
M16 - 210 Nm

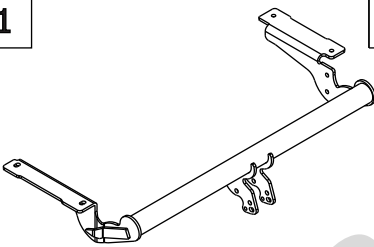



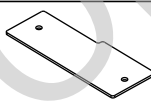
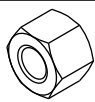
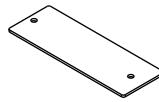
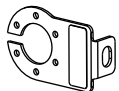
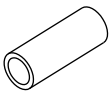



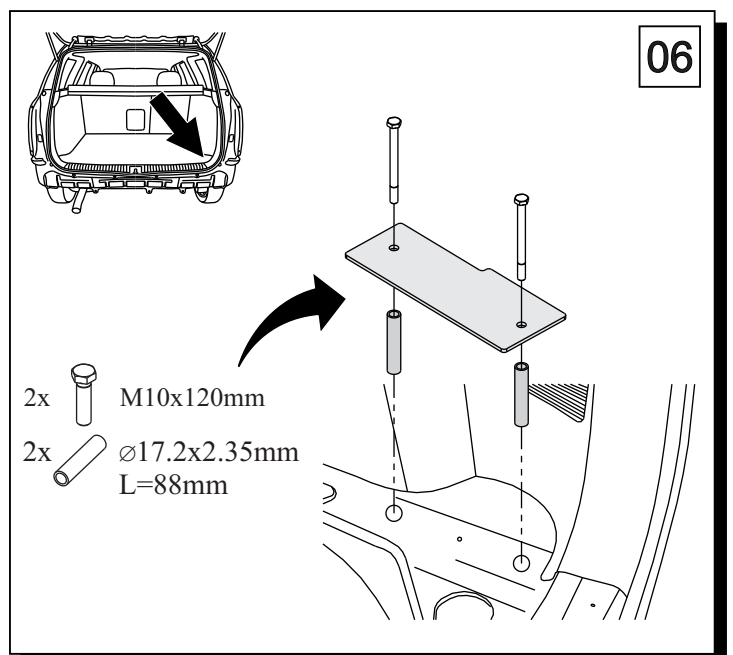
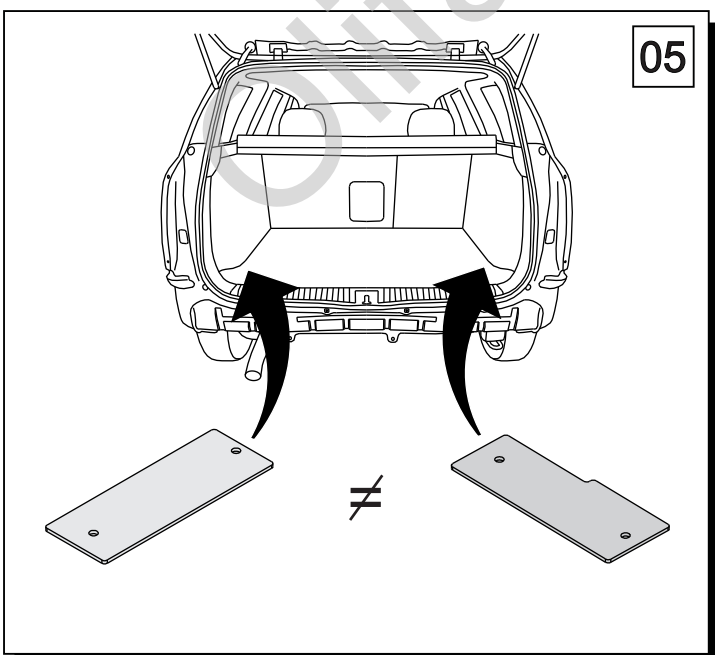
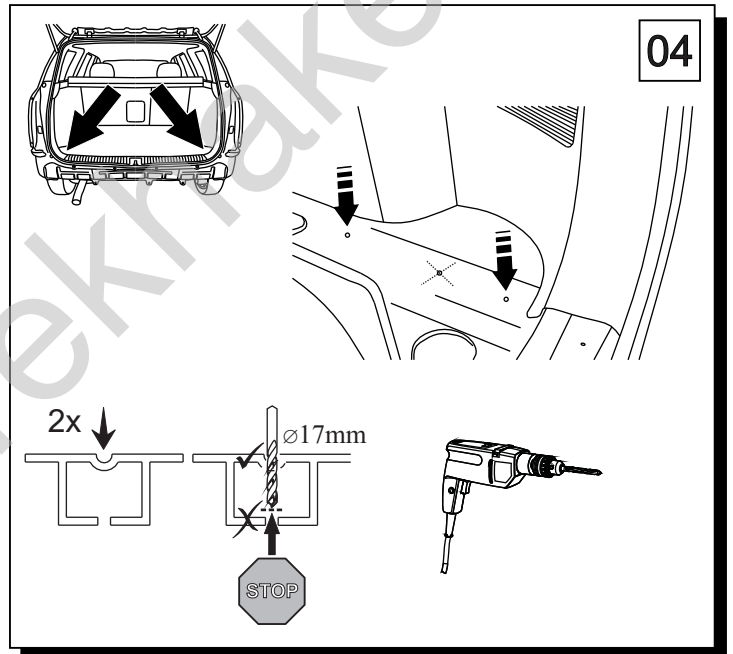
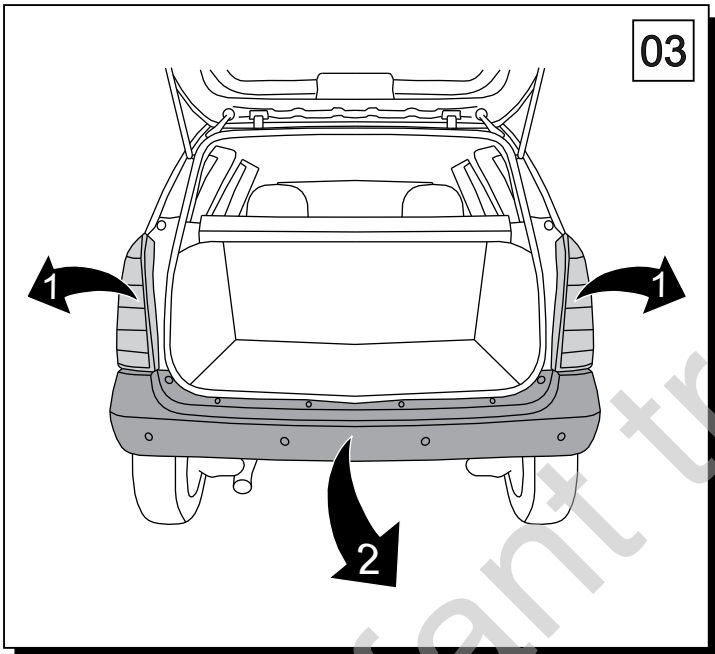
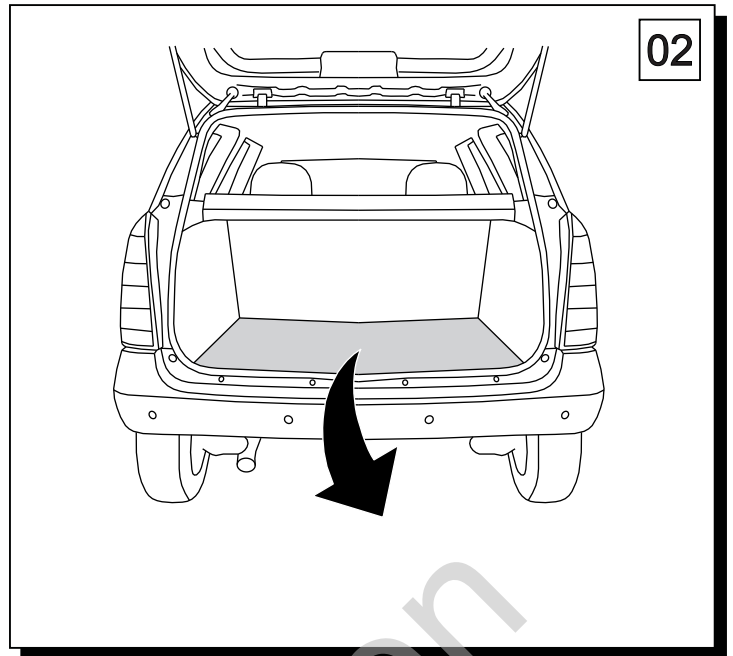
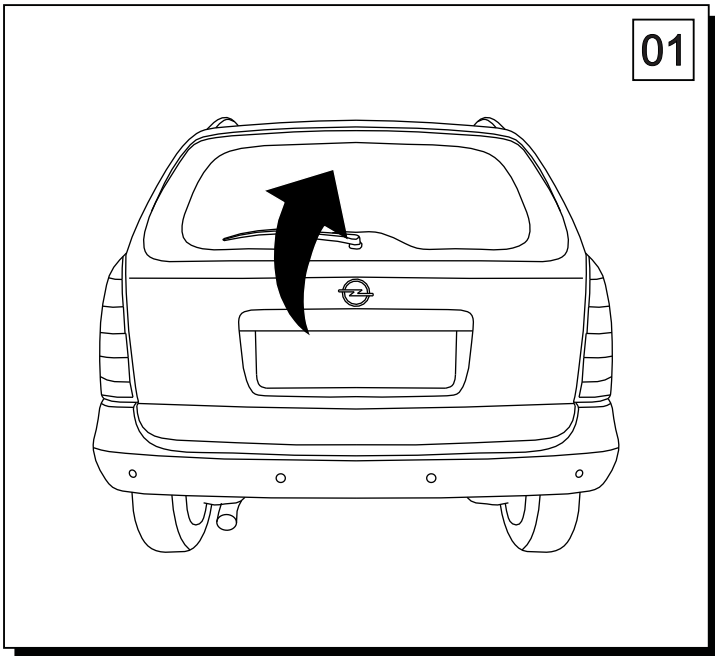
0 km →

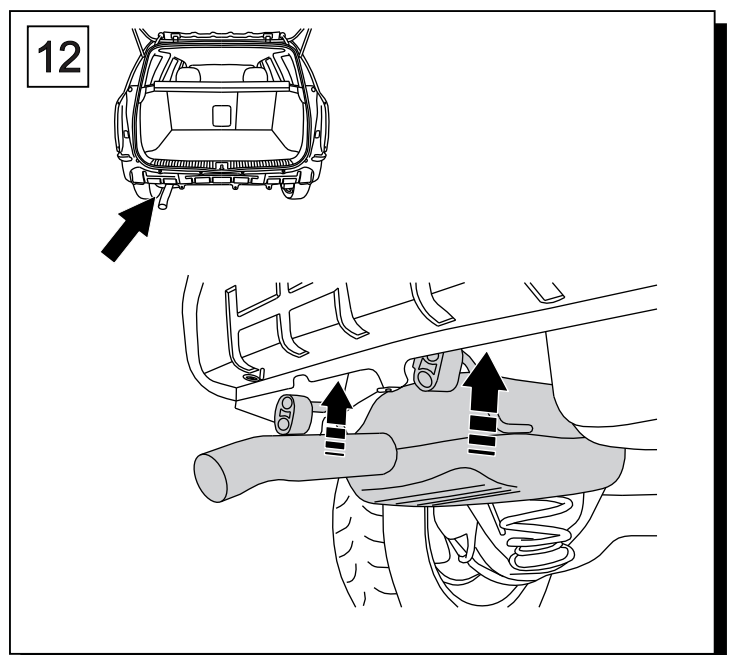
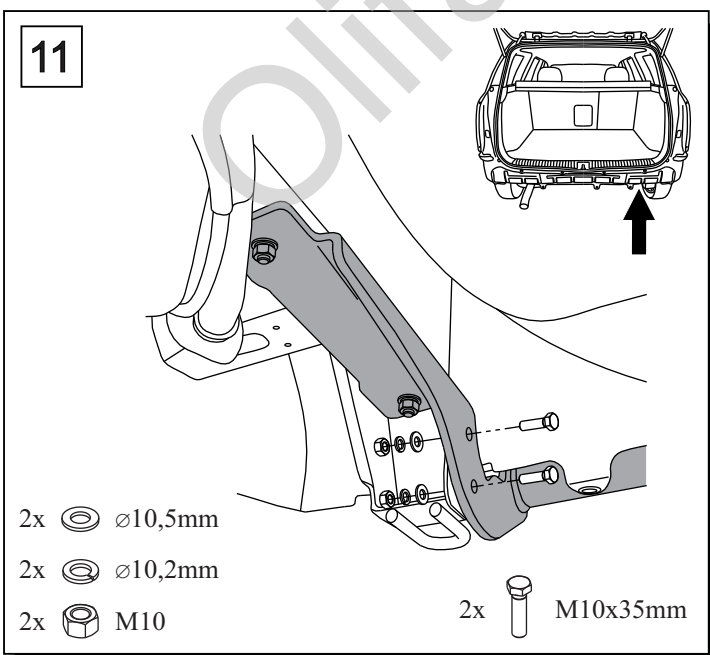
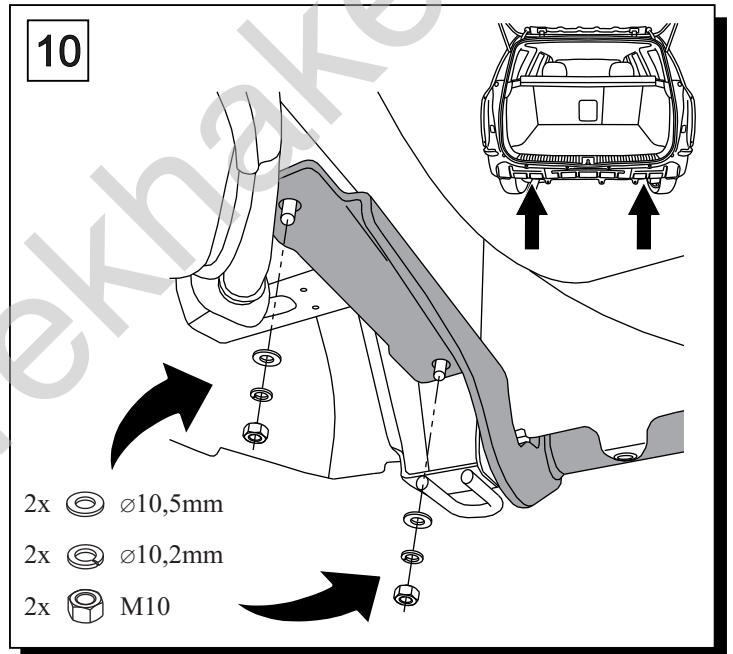
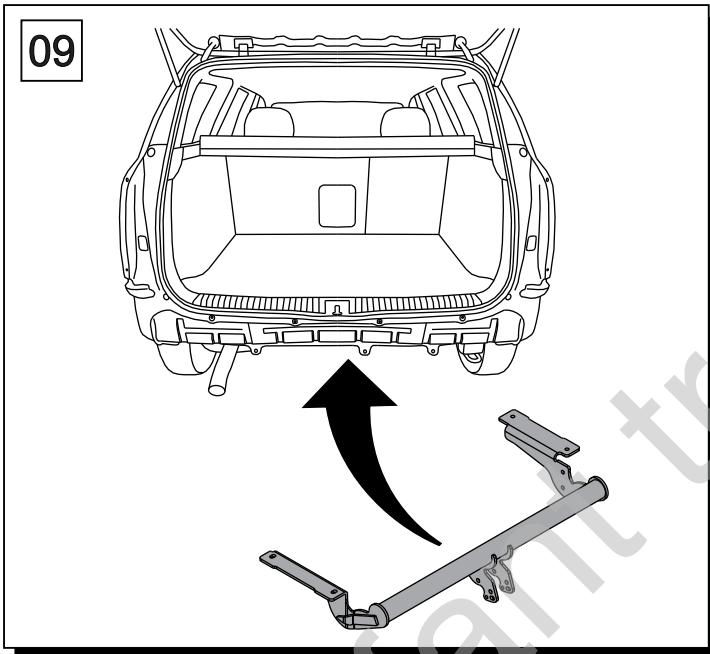
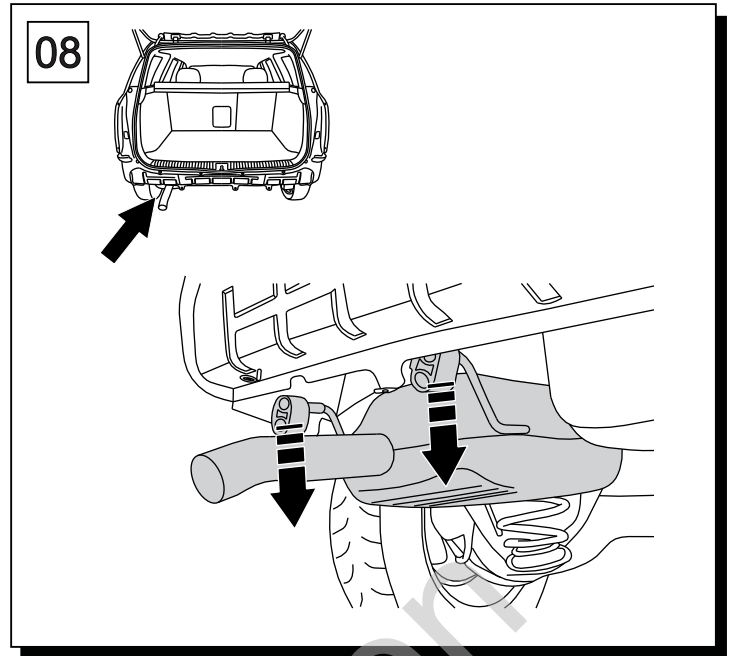
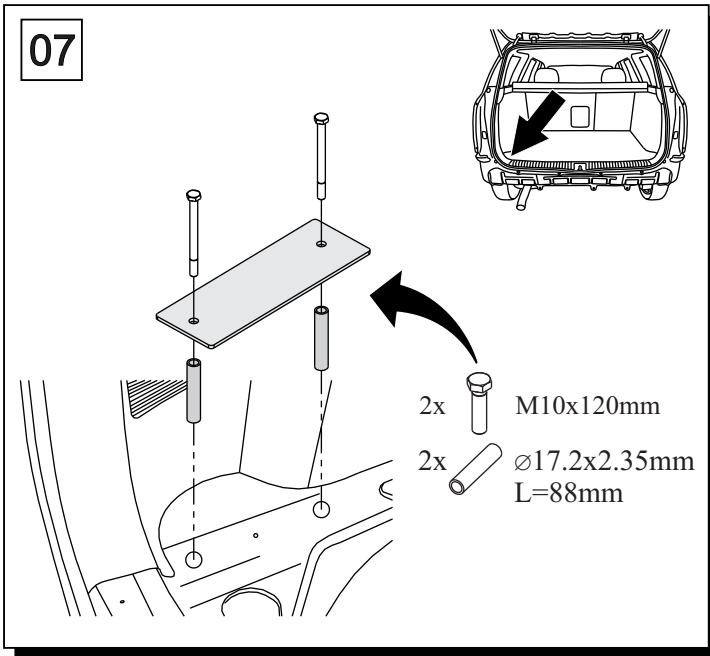


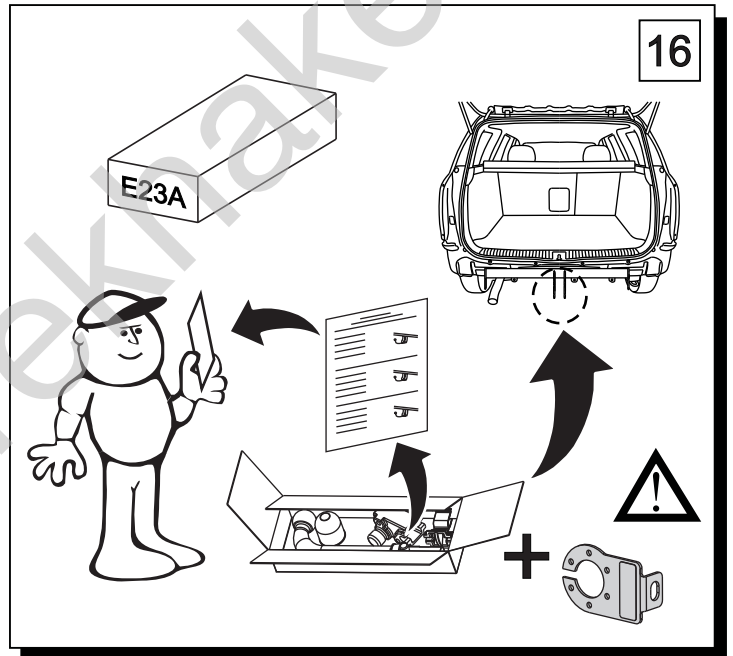
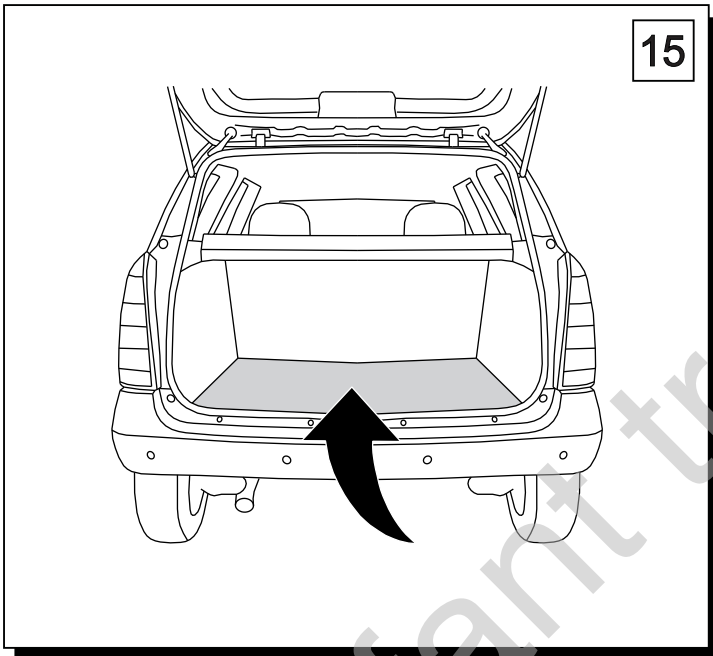
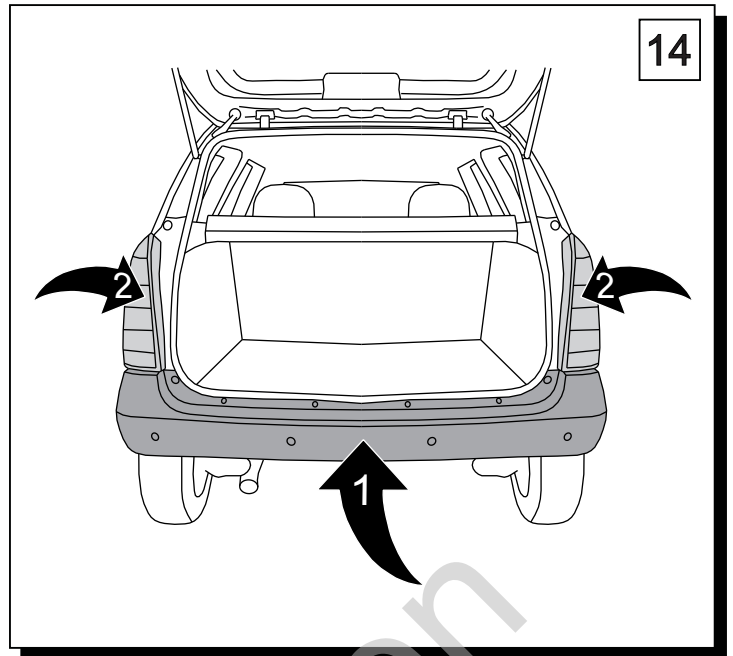
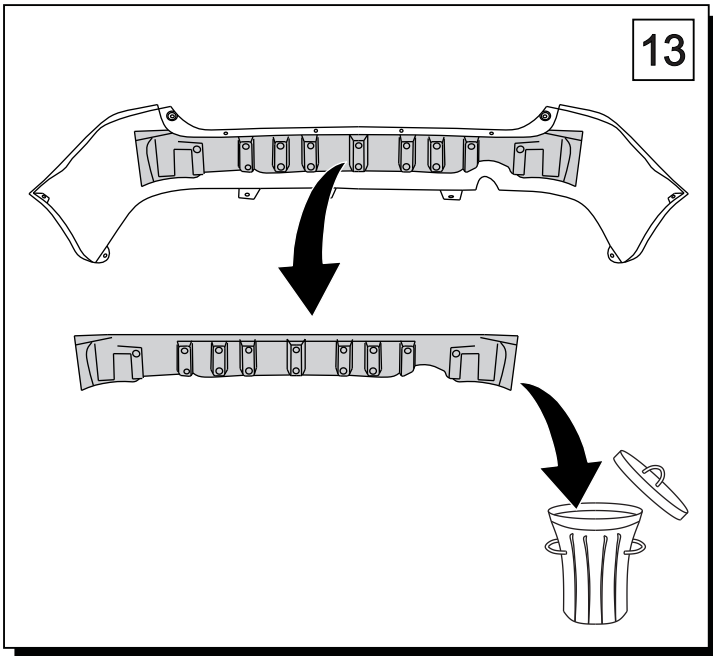
1000 km






1		x1		8	M10x120	x4
				9	M10x35	x2
2	 Art.nr-KL1E23A	x1		10	∅ 10.5	x6
				11	∅ 10.2	x6
3		x1		12	M10	x6
4		x1				
5	 Art.nr-BL1E23A	x1				
6	 ∅17.2x2.35mm L=88mm	x1				
7		x1				







	M6 - 11 Nm	M8 - 25 Nm
	M10 - 50 Nm	M12 - 87 Nm
	M14 - 138 Nm	M16 - 210 Nm

 **0 km** →  **1000 km**