

PPUH AUTO-HAK Sp.J.

Henryk & Zbigniew Nejman
ul. Słoneczna 16K 76-200 SŁUPSK
POLAND

tel/fax +48 059 8-414-414; 8-414-413

e-mail: office@autohak.com.pl

www.autohak.com.pl



AUTO-HAK



OPEL ASTRA G

Cat. no:

E21A



4D - 03.1998 → 2009

3/5D - 03.1998 → 2009



E20-55R-01 4308



8,01 kN



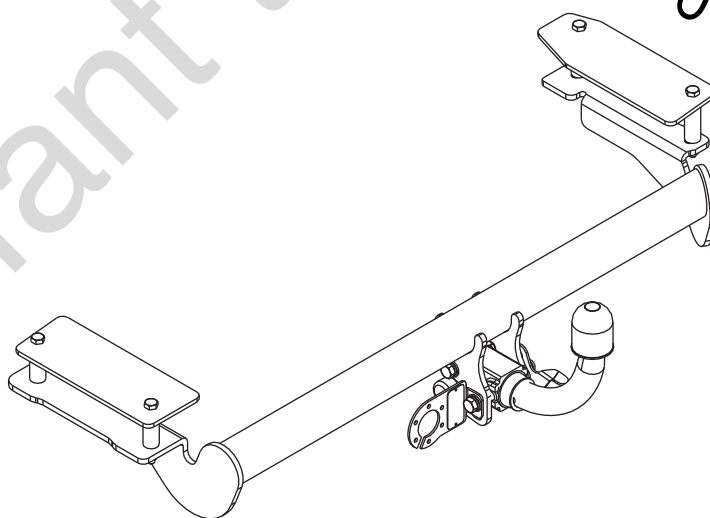
R=1500 kg



S=75 kg



2h



M6 - 8,5 Nm
M10 - 41 Nm
M14 - 112 Nm

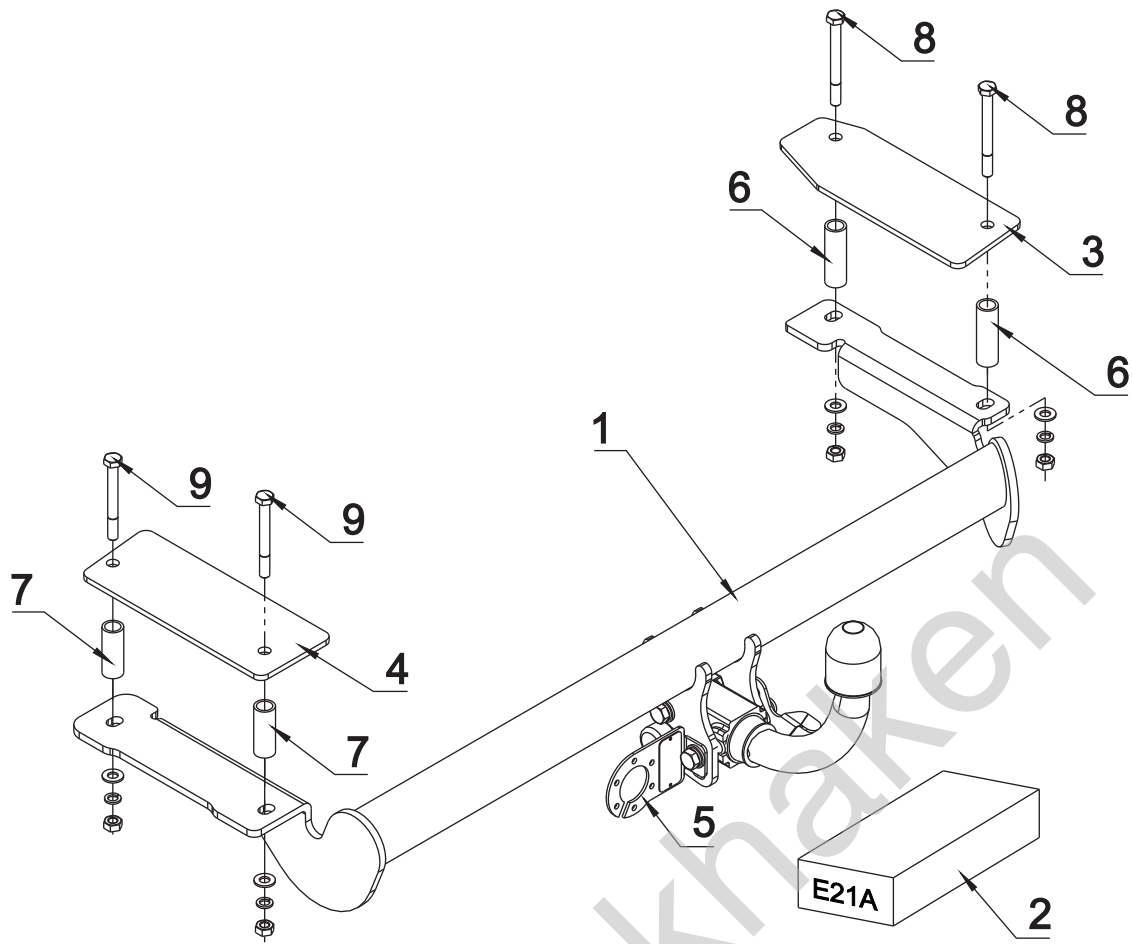
M8 - 20 Nm
M12 - 70 Nm
M16 - 170 Nm



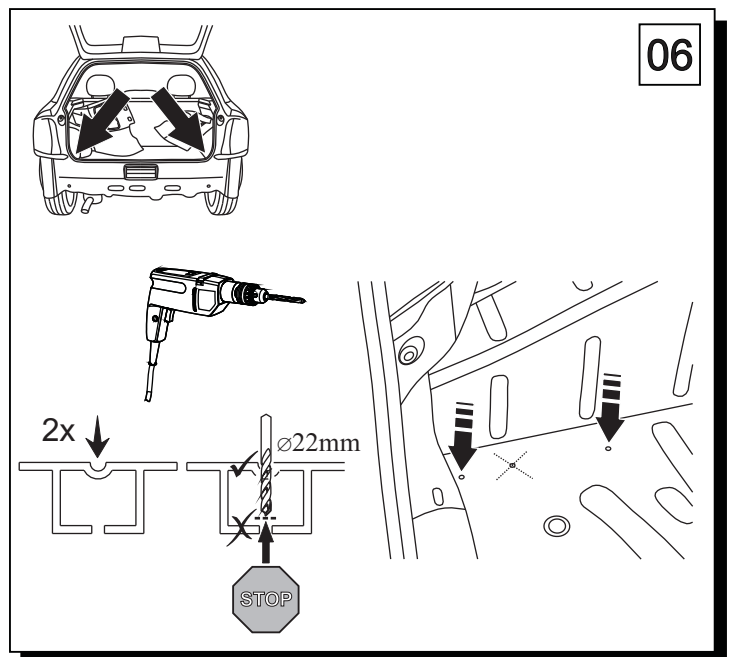
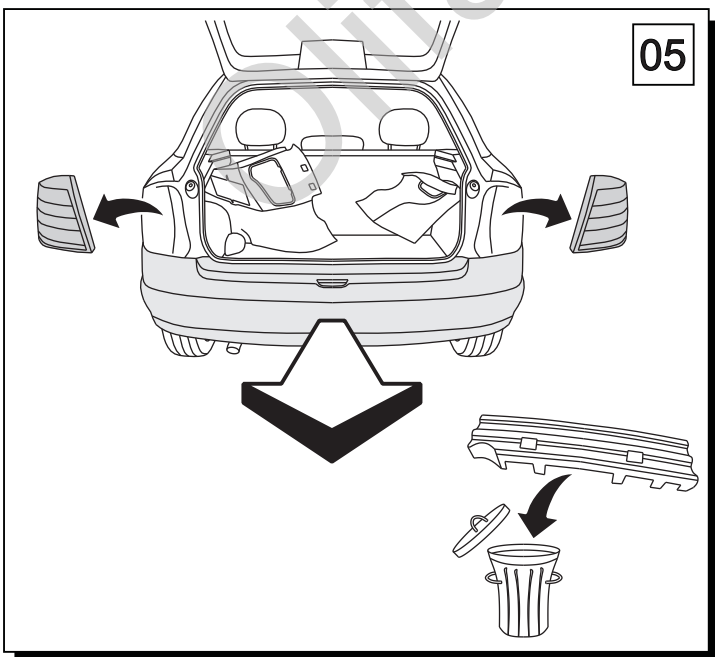
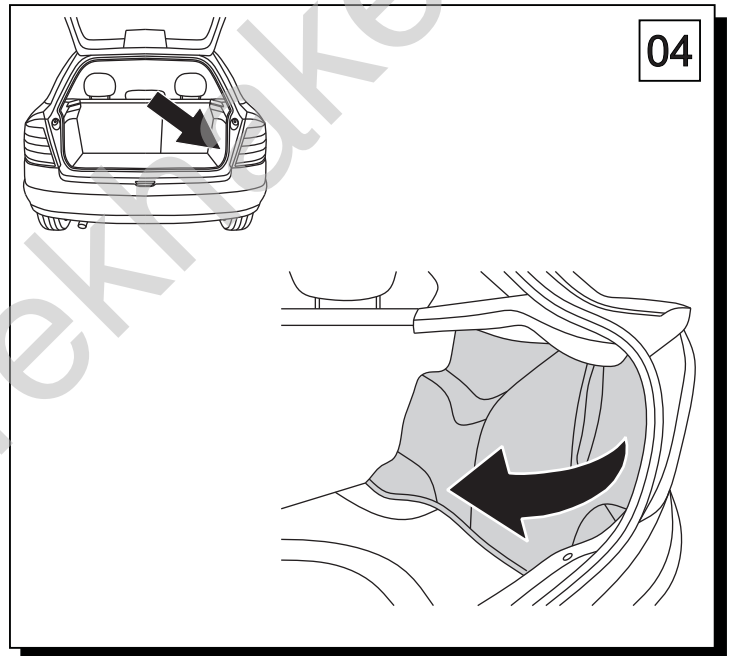
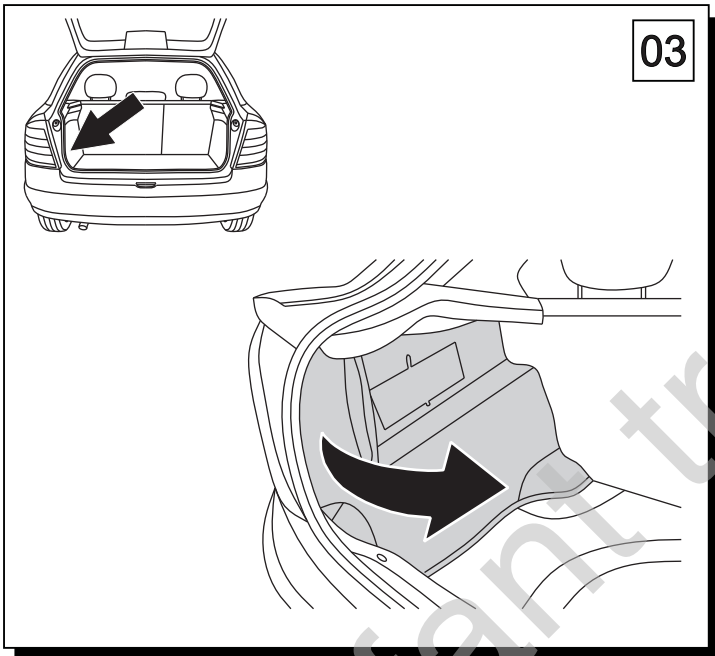
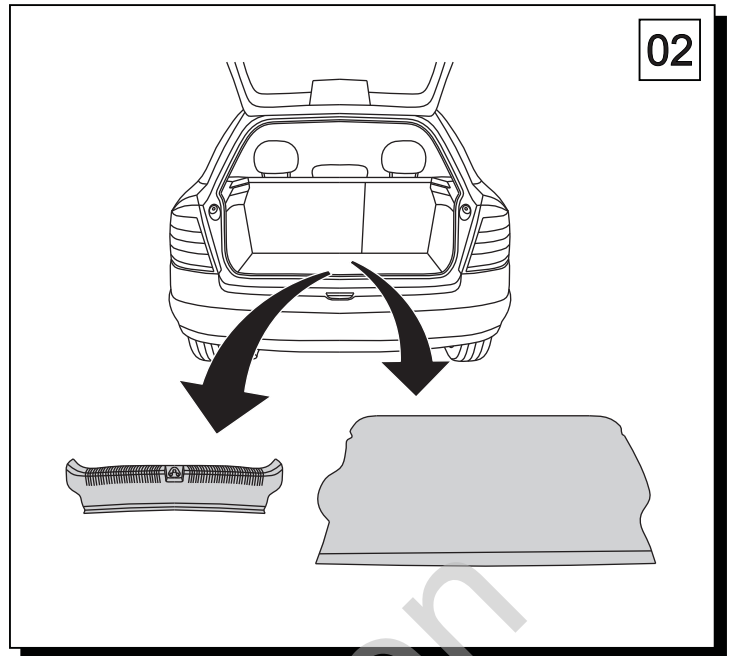
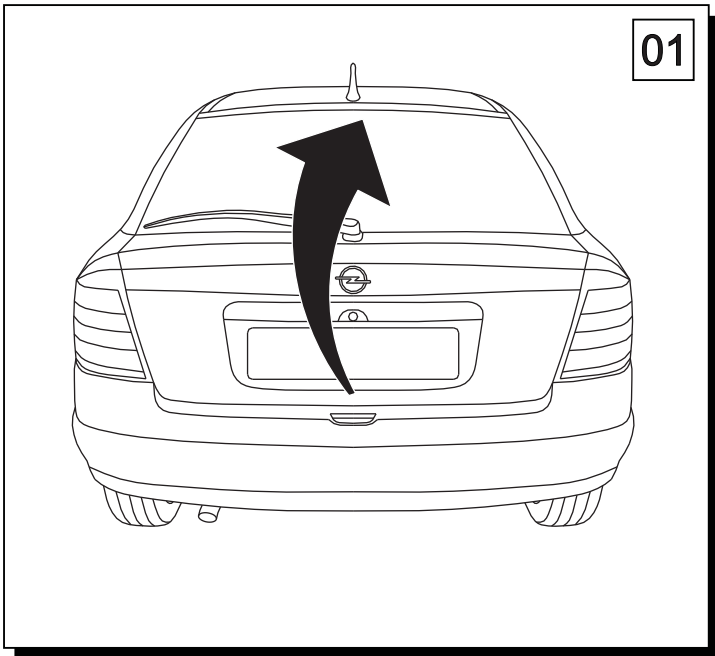
0 km →



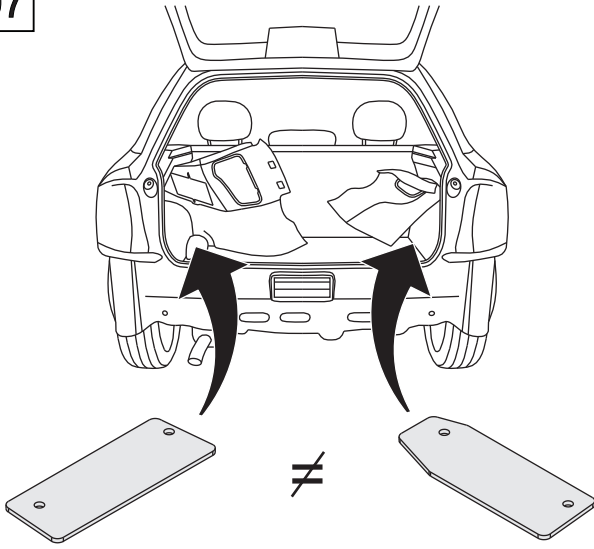
1000 km



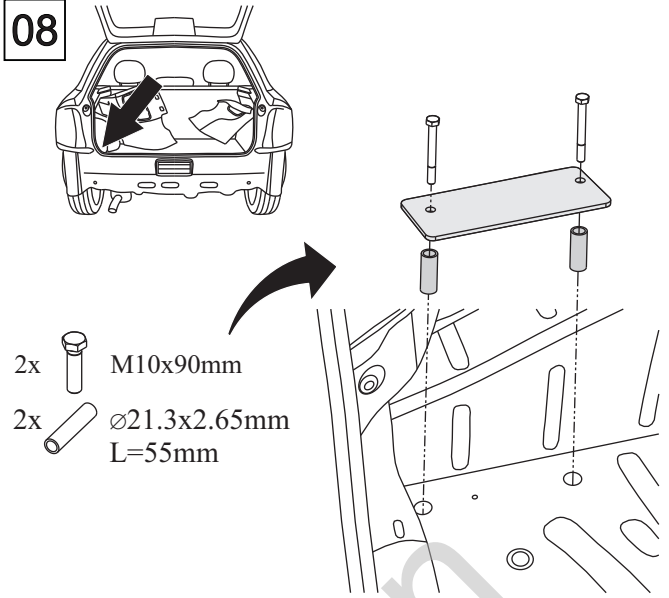
	x1		8	M10x100	x2
			9	M10x90	x2
			10	∅ 10.5	x4
			11	∅ 10.2	x4
	x1		12	M10	x4
		Art.nr-KL1E21A			
	x1				
	x1				
	x1	Art.nr-BL1E21A			
	x1	∅21.3x2.65mm L=67mm			
	x1	∅21.3x2.65mm L=55mm			





07

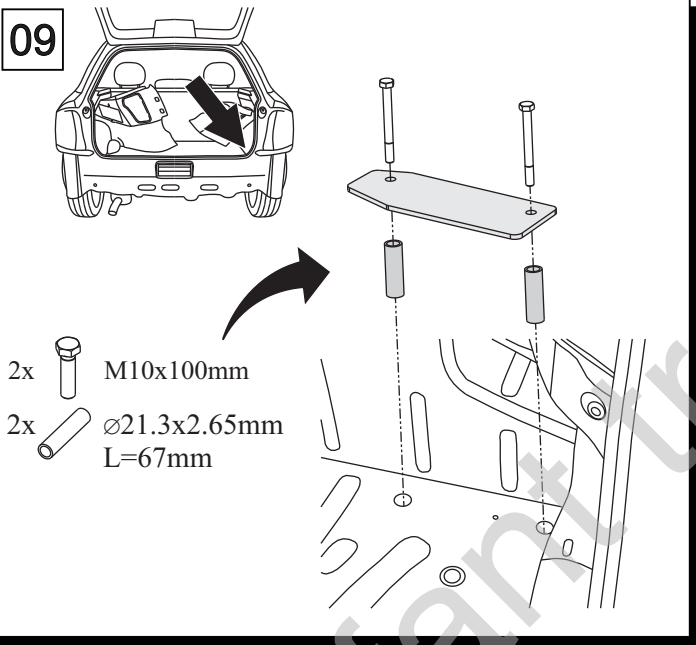




08



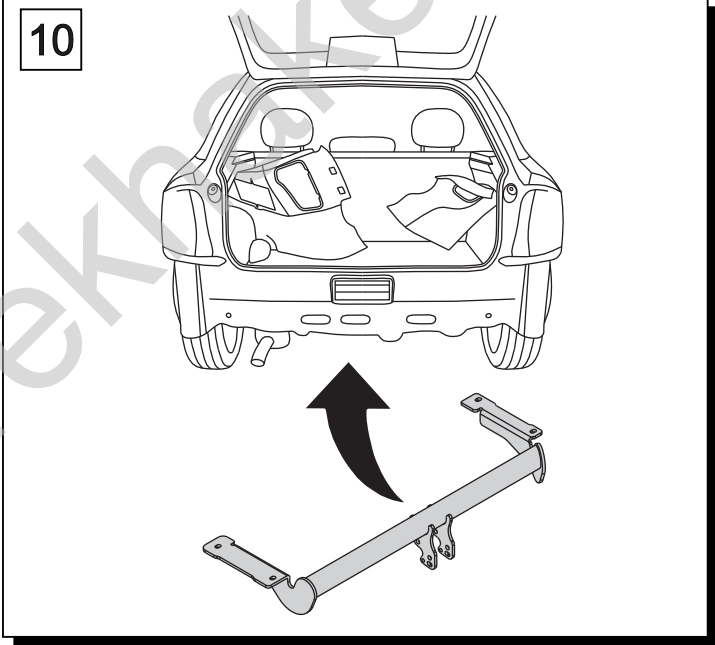
- 2x  M10x90mm
- 2x  $\varnothing 21.3 \times 2.65 \text{mm}$
L=55mm

09

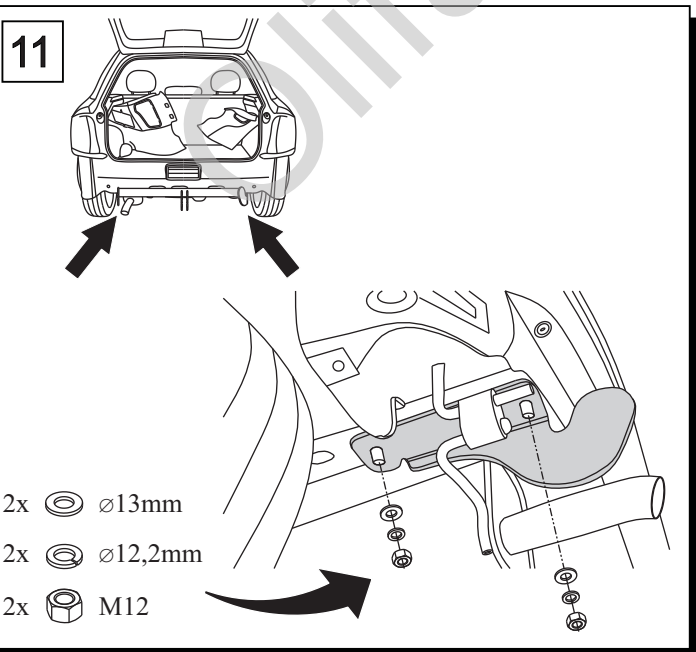





- 2x  M10x100mm
- 2x  $\varnothing 21.3 \times 2.65 \text{mm}$
L=67mm

10



11



- 2x  $\varnothing 13 \text{mm}$
- 2x  $\varnothing 12,2 \text{mm}$
- 2x  M12

12

