

AUTO-HAK Sp. z o.o.

ul. Słoneczna 16K 76-200 SŁUPSK
POLAND

tel/fax +48 59 8 414 414; +48 59 8 414 413

e-mail: office@autohak.com.pl

www.autohak.com.pl



AUTO-HAK


MERCEDES C-Klasa

Sedan (W206) / Kombi (S206)
Hybrid, Plug-in hybrid, AMG-Line


Nr kat.


D67A

 03.2021 →

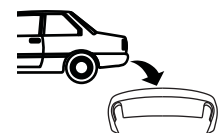
 E20*55R02*6902

D 11,0 kN

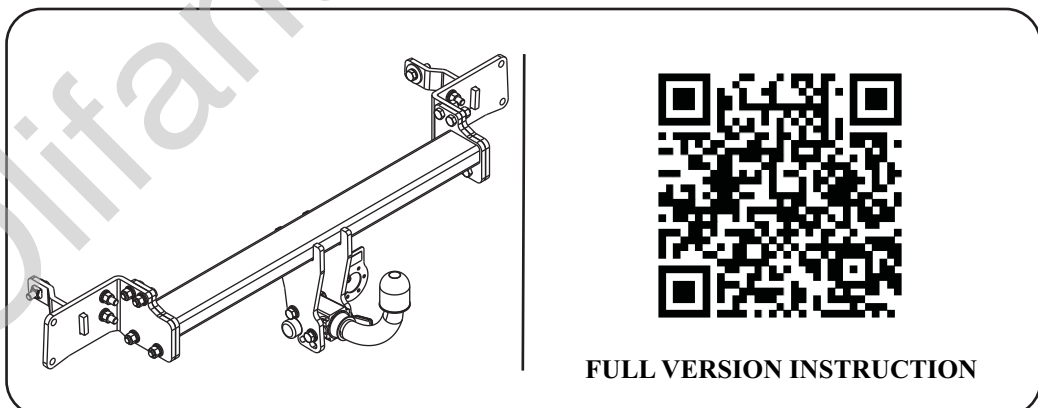
 **R=1850 kg**

 **S=100 kg**

 **2h**






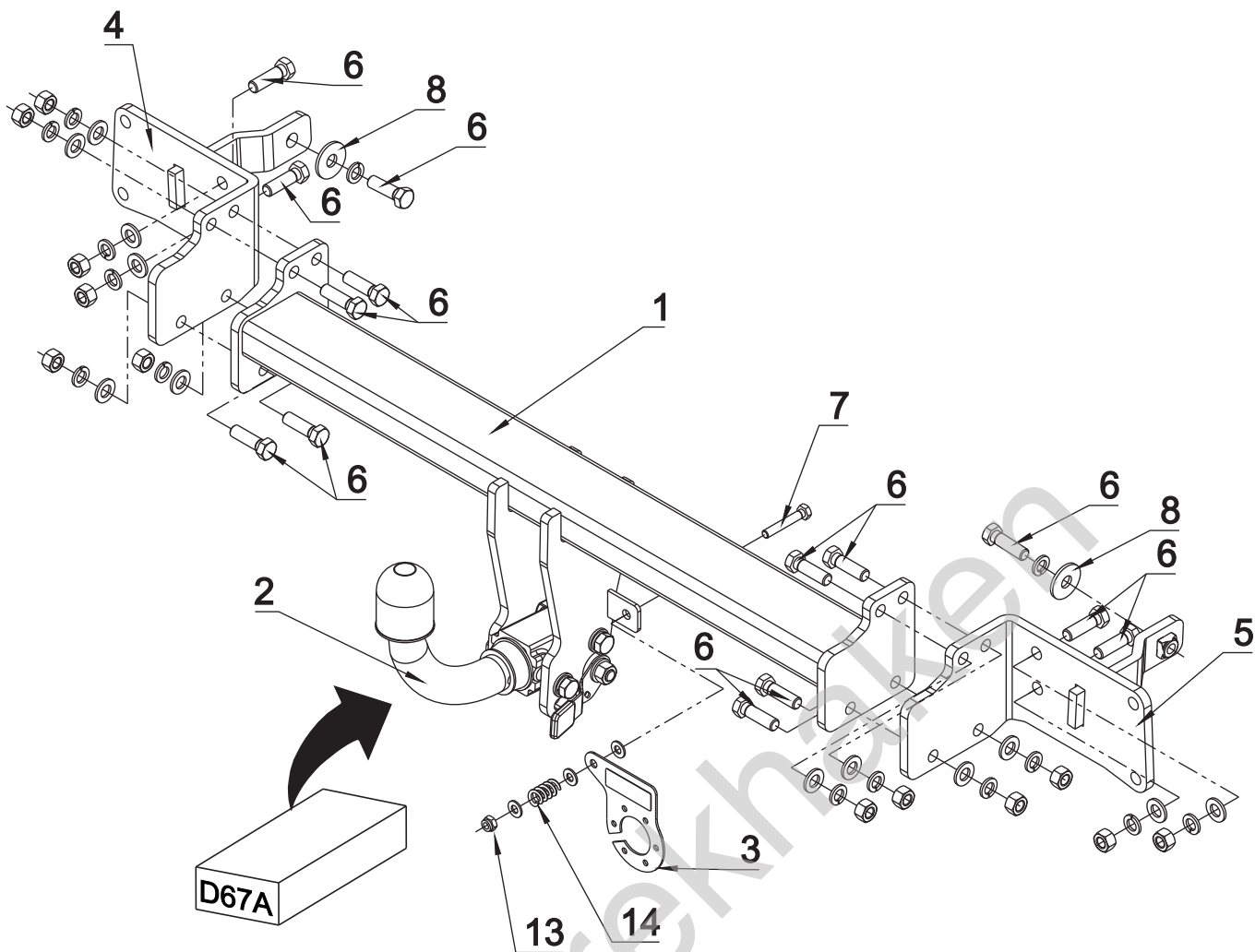


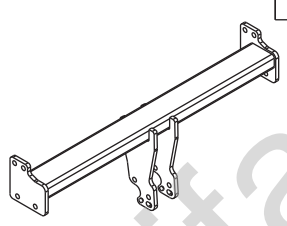

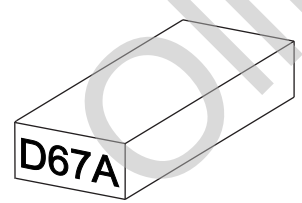
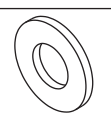

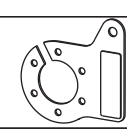
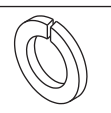
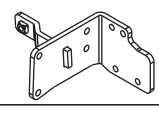
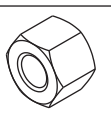
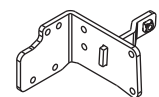
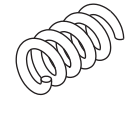
FULL VERSION INSTRUCTION



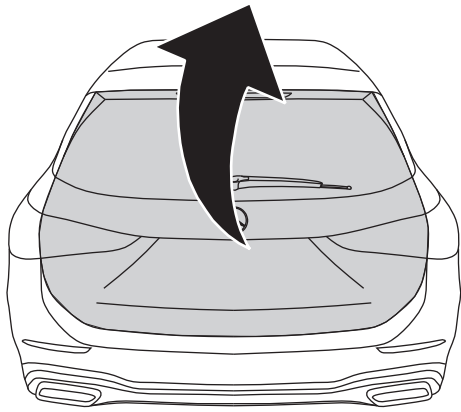
śruba	Nm	M6	M8	M10	M12	M14	M16
klasa 8.8		9,9	24	48	83	132	200
klasa 10.9		14	34	67	117	185	285

 0 km →  1000 km

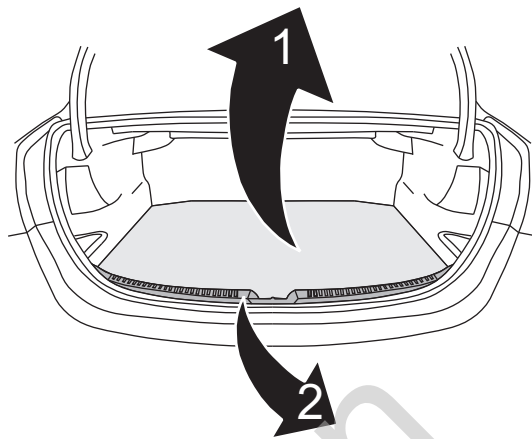


1		x 1		6	M 12x40	x 14
2		x 1		7	M 8x50	x 1
					8	∅ 37x∅13x3 13 DIN 9021
3		x 1		9	∅ 13	x 12
				10	∅ 8.4	x 3
				11	∅ 12.2	x 14
4		x 1		12	M 12	x 12
				5		x 1
14		x 1				

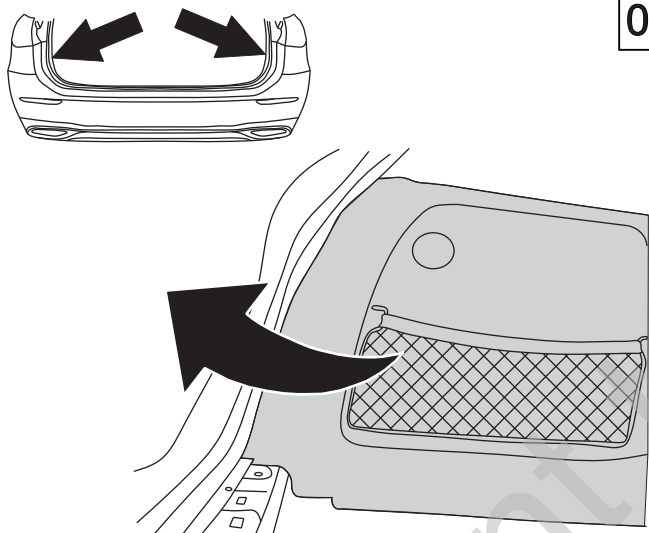
01



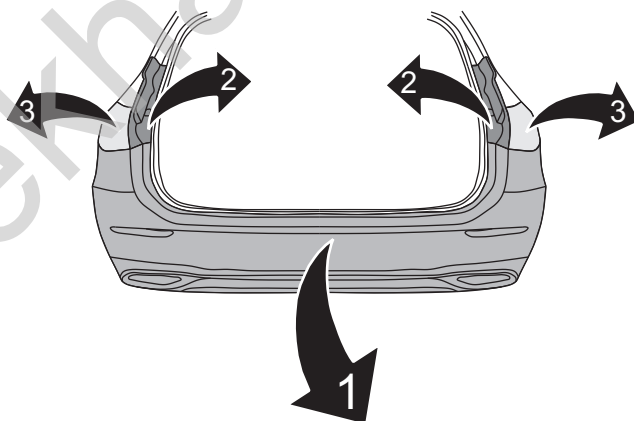
02



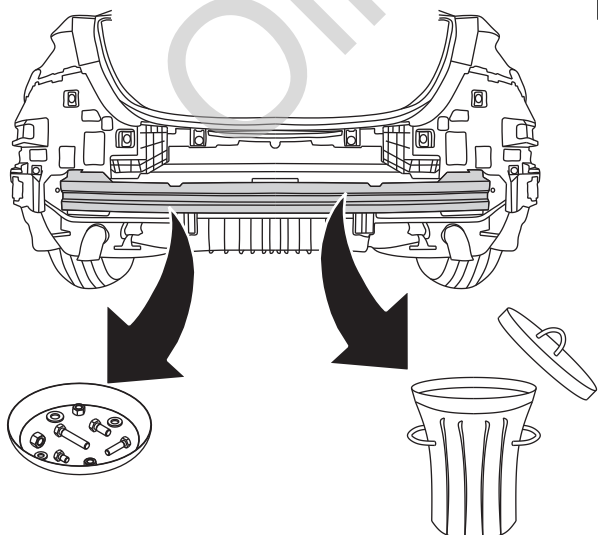
03



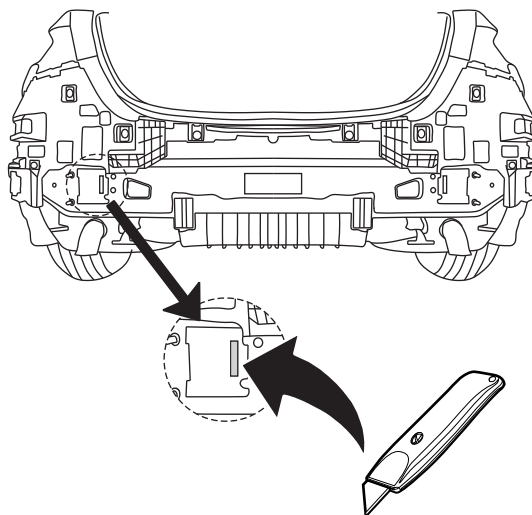
04

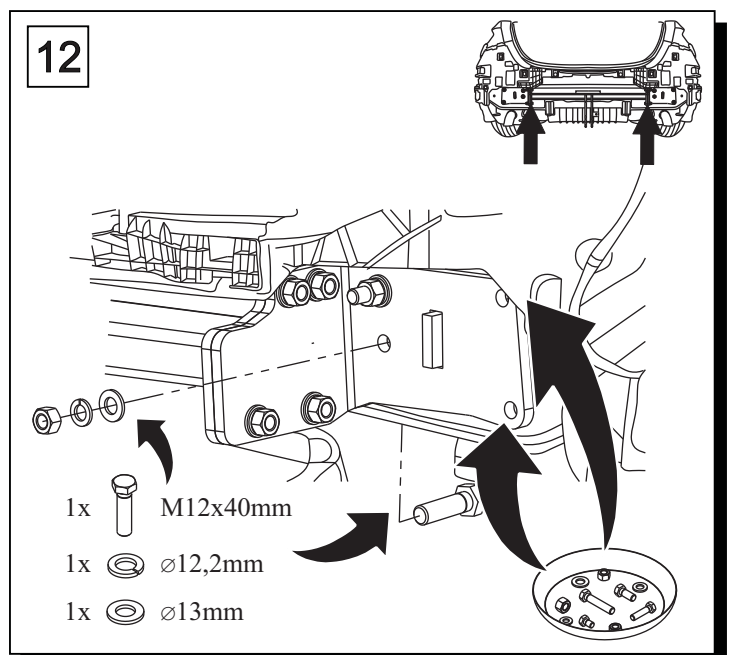
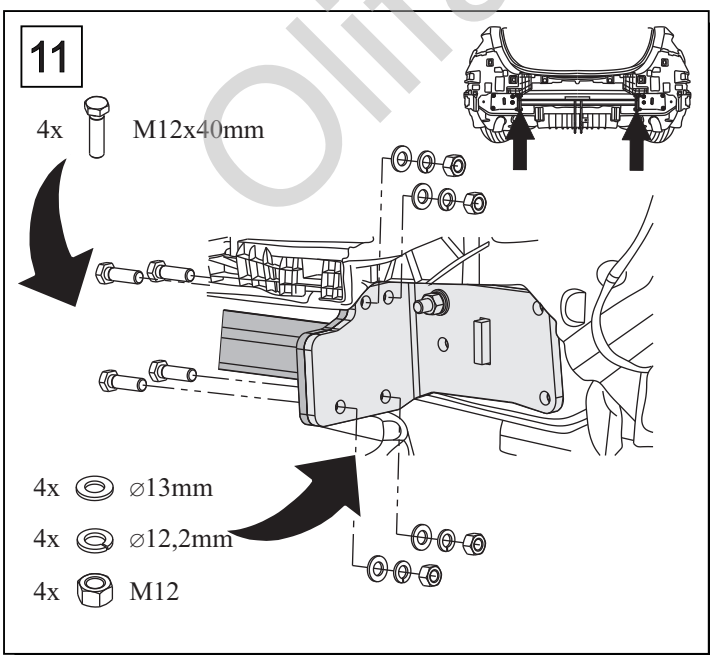
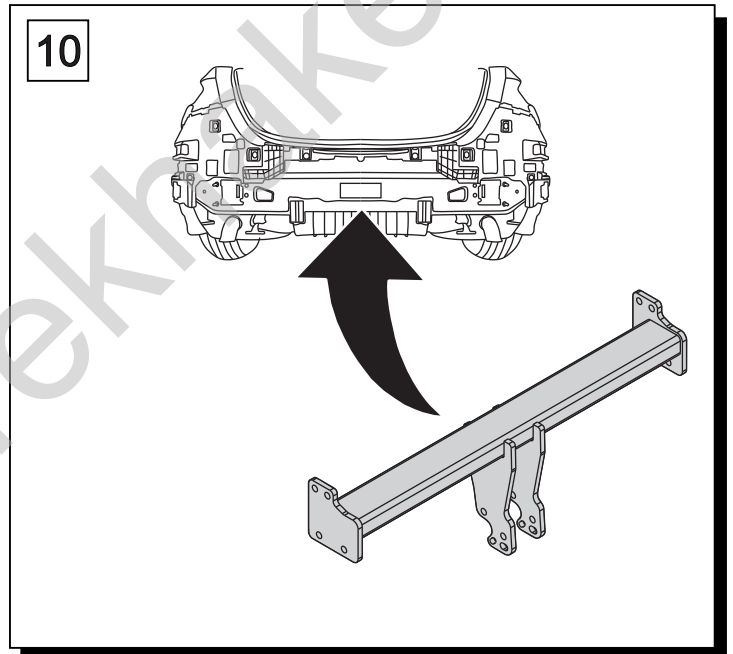
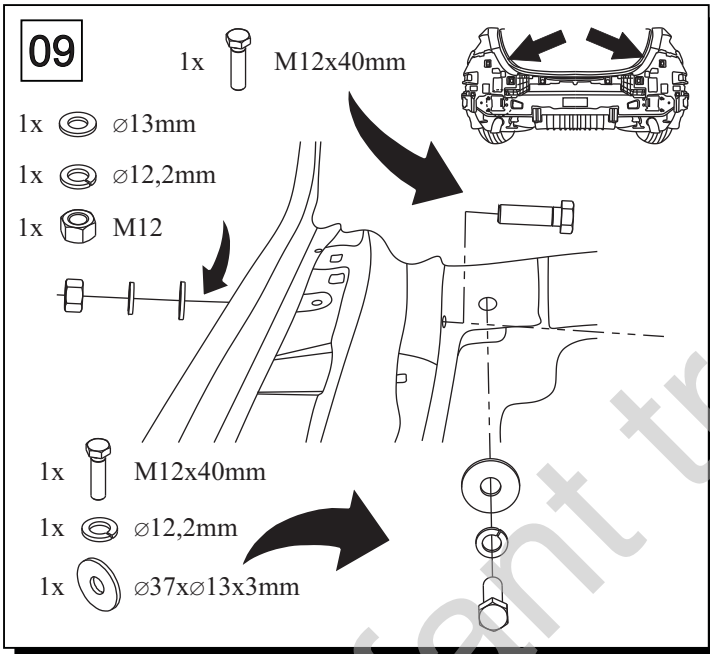
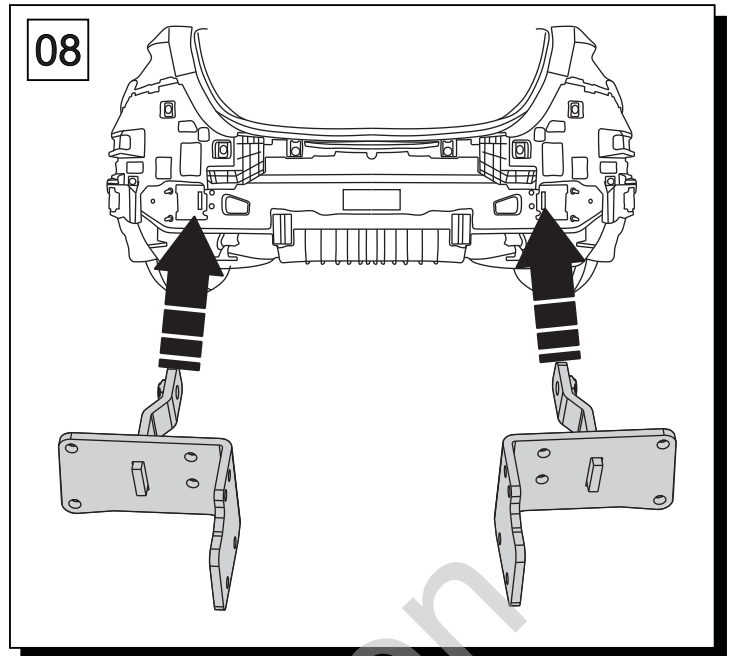
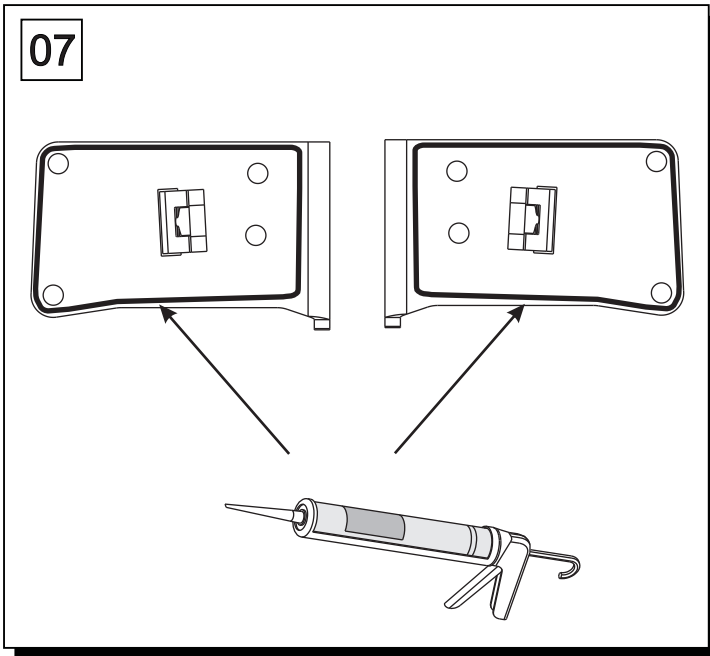


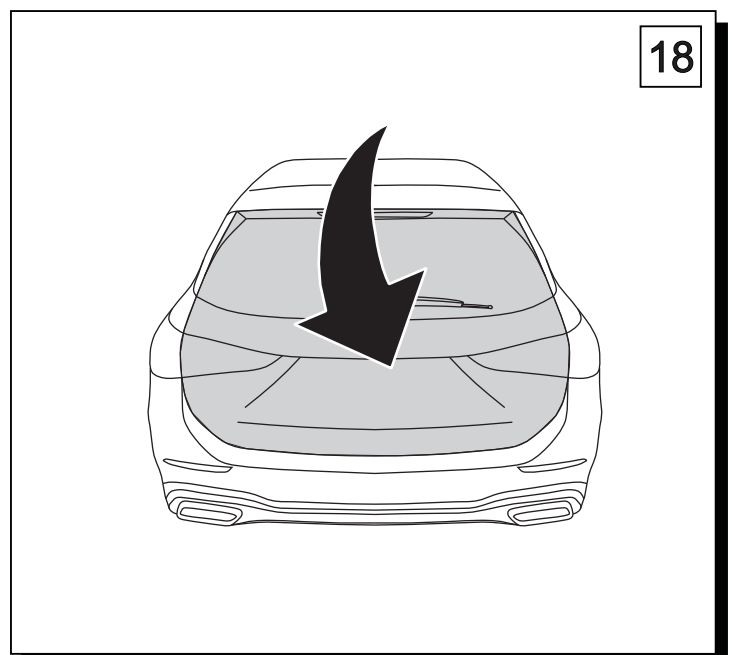
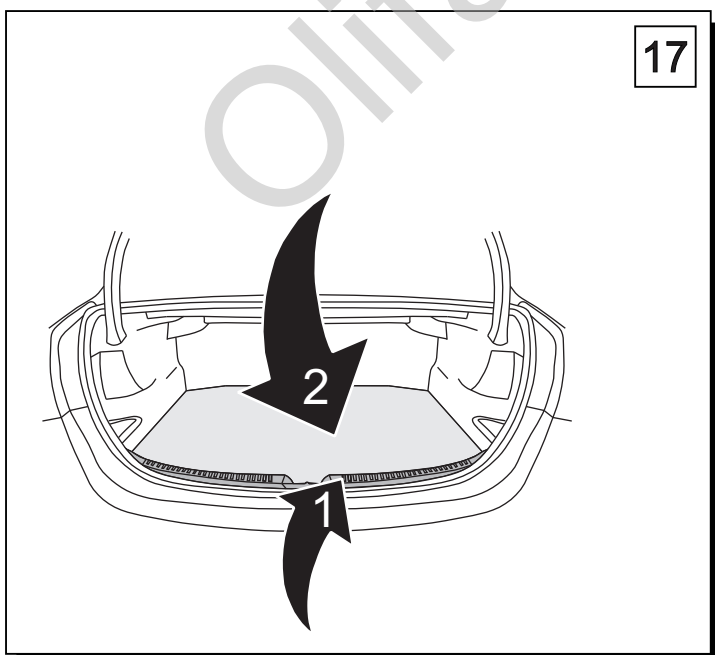
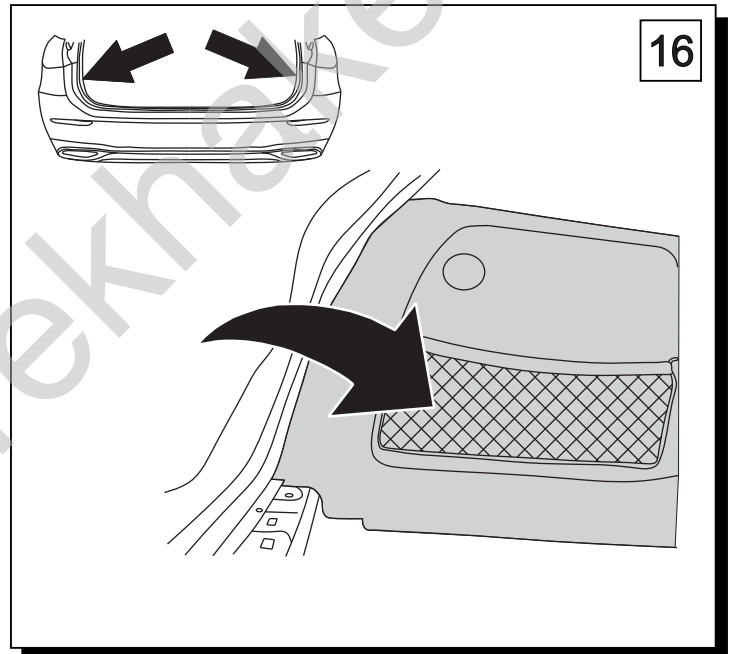
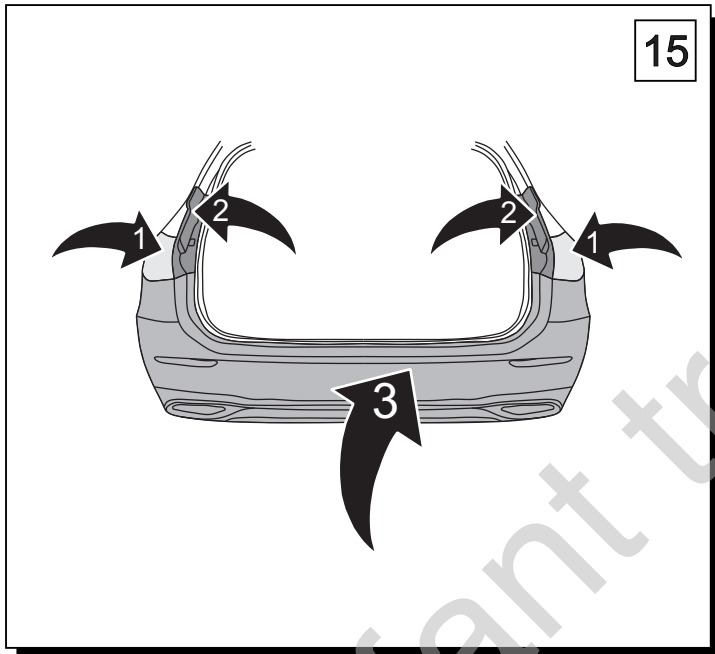
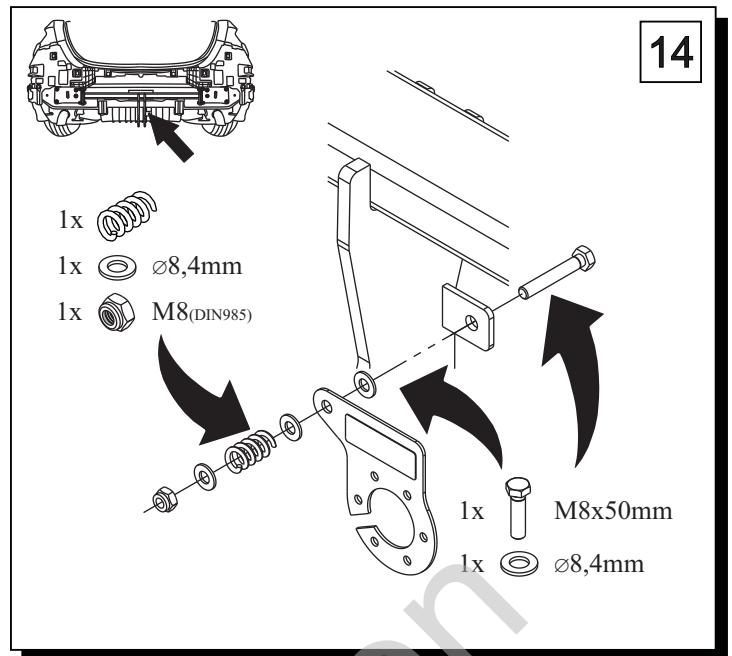
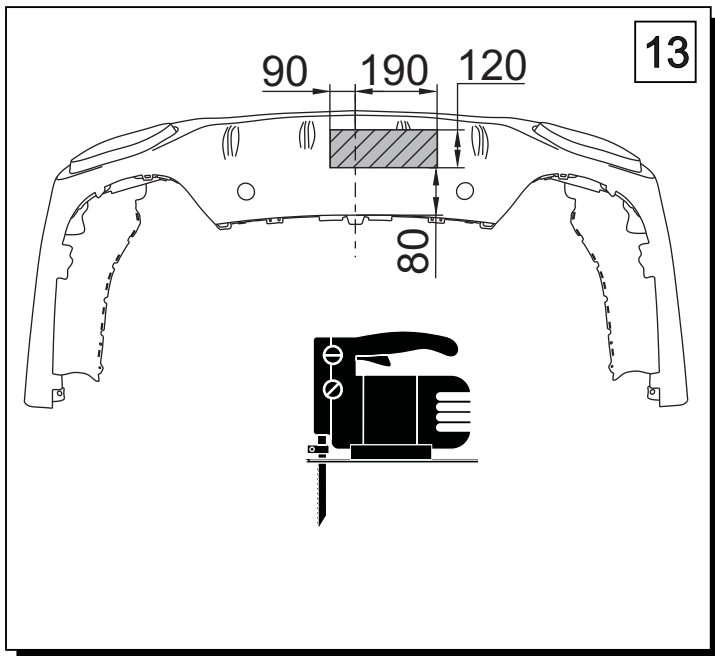
05

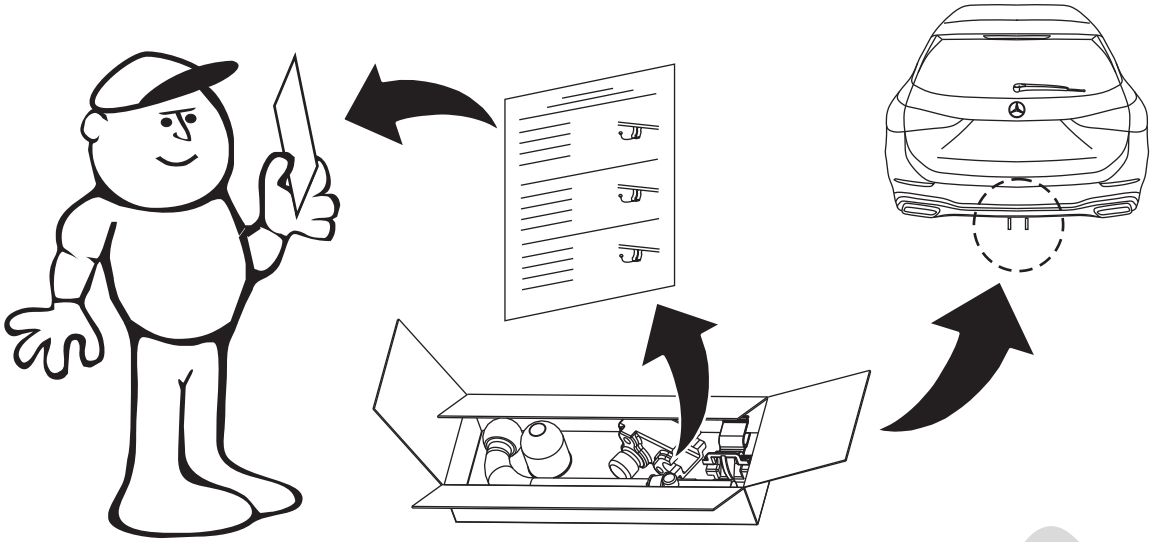


06









Olifant trekhaken

