

# AUTO-HAK Sp. z o.o.

ul. Słoneczna 16K 76-200 SŁUPSK  
POLAND

tel/fax +48 59 8 414 414; +48 59 8 414 413

e-mail: [office@autohak.com.pl](mailto:office@autohak.com.pl)

[www.autohak.com.pl](http://www.autohak.com.pl)



# AUTO-HAK

**MERCEDES-BENZ** klasa A HATCHBACK (W177)  
STANDARD, AMG-LINE, ~~AMG~~, EQ POWER STANDARD,  
4-MATIC

 03.2018 →

Nr kat.

**D63A**

**MERCEDES-BENZ** klasa A SEDAN (V177)  
STANDARD, AMG-LINE, ~~AMG~~, EQ POWER STANDARD

 09.2018 →

**MERCEDES-BENZ** klasa B (W247)

+AdBlue

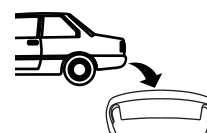
 12.2018 →



2h

**E20**

**E20\*55R02\*6594**



**D**

10,1 kN

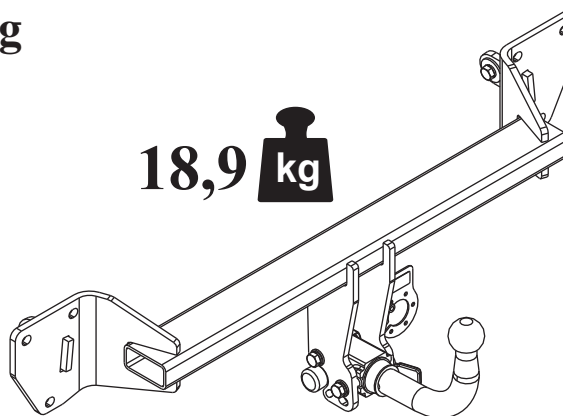


R=2000 kg



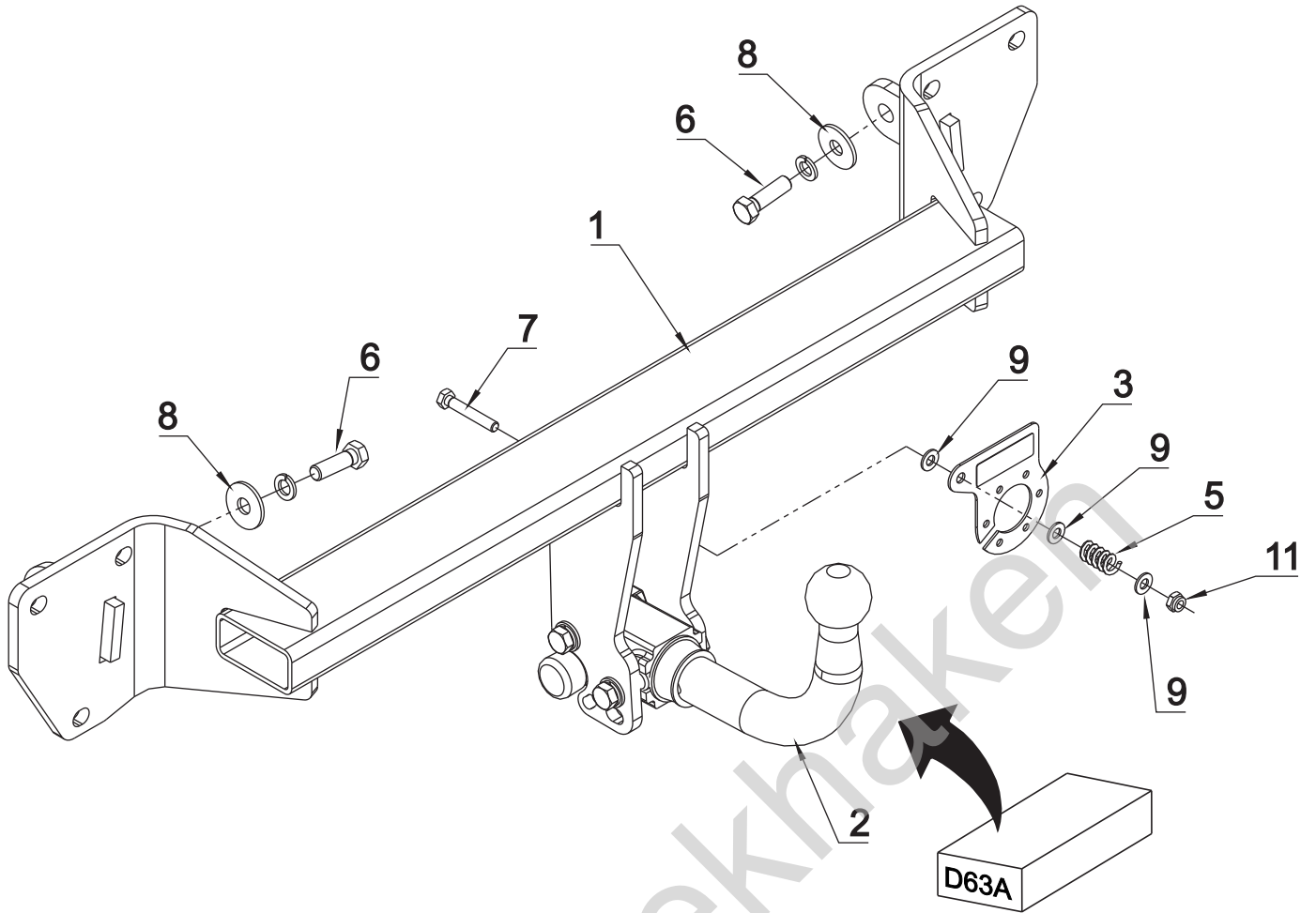
S=100 kg

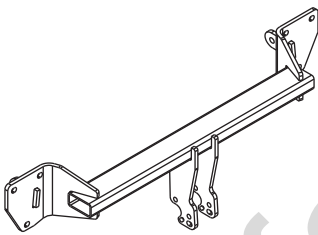





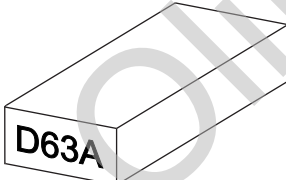



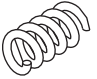
18,9  kg



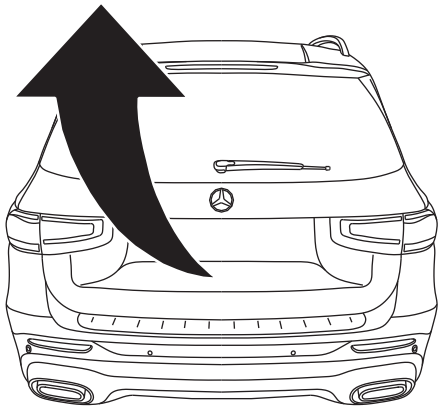
śruba	Nm	M6	M8	M10	M12	M14	M16
klasa 8.8		9,9	24	48	83	132	200
klasa 10.9		14	34	67	117	185	285

 0 km →  1000 km

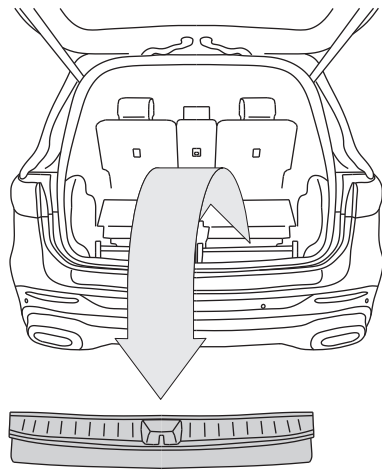


<b>1</b> 	<b>x1</b>		<b>6</b> M12x40	<b>x2</b>
			<b>7</b> M8x50	<b>x1</b>
			<b>8</b> $\varnothing$ 37x $\varnothing$ 13x3 13 (DIN 9021)	<b>x2</b>
			<b>9</b> $\varnothing$ 8.4	<b>x3</b>
			<b>10</b> $\varnothing$ 12.2	<b>x2</b>
<b>2</b> 	<b>x1</b>		<b>11</b> M8 (DIN985)	<b>x1</b>
Art.nr-KL1D63A				
<b>3</b> 	<b>x1</b>	Art.nr-BL12D63A		
<b>4</b> 	<b>x1</b>			
<b>5</b> 	<b>x1</b>			

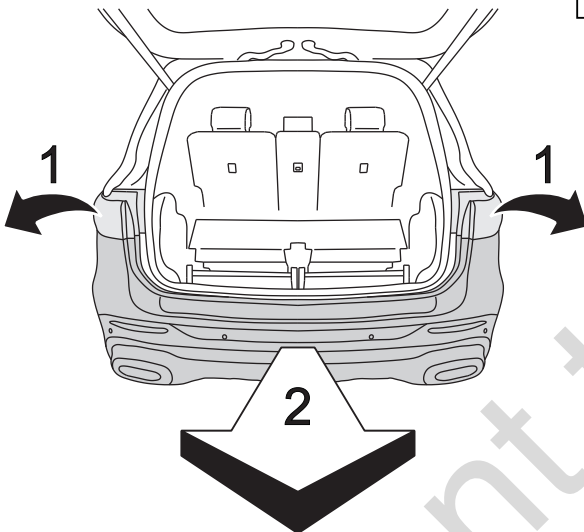
01



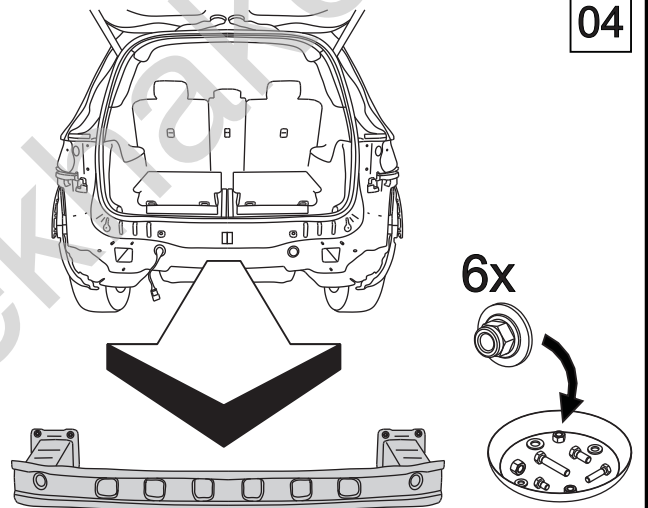
02



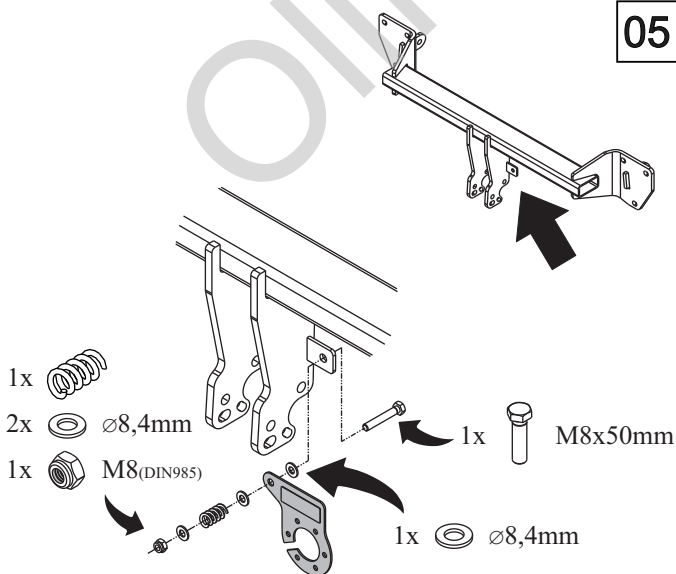
03



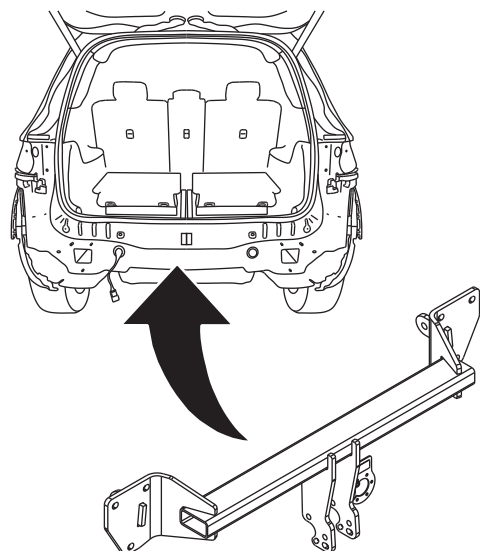
04

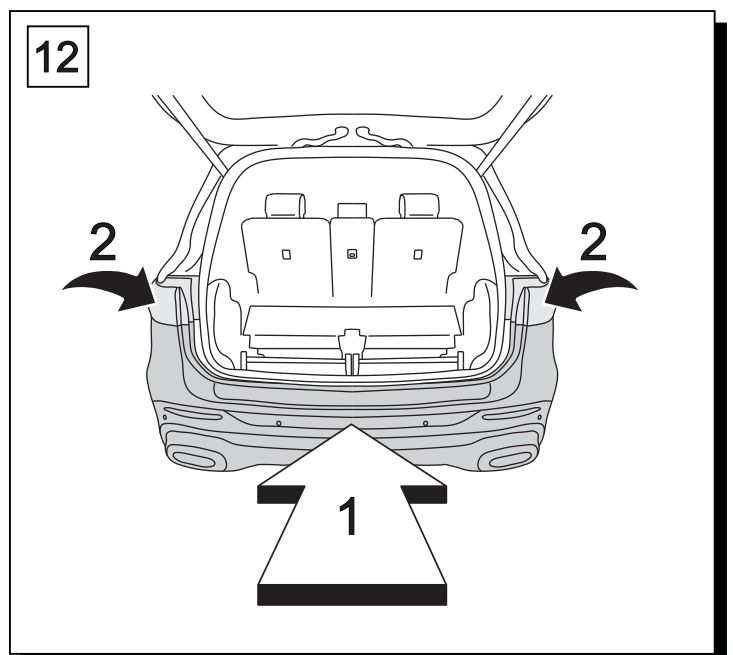
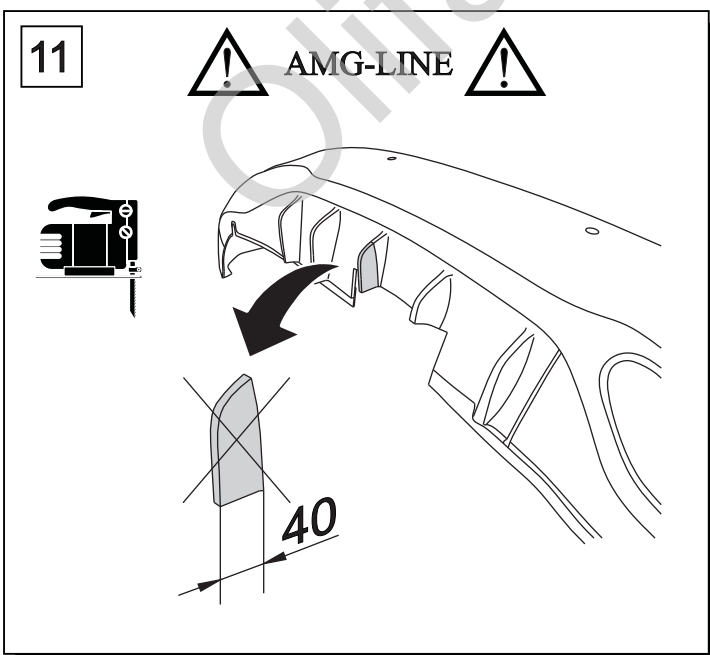
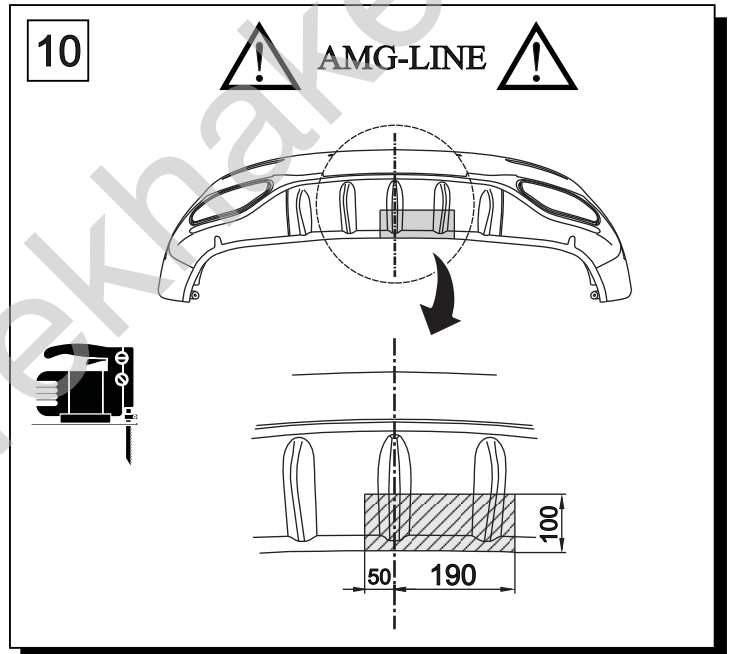
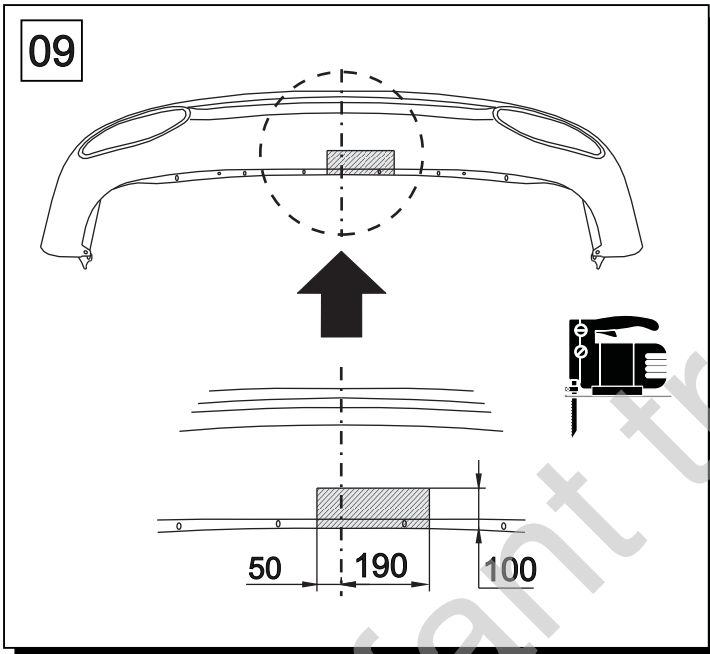
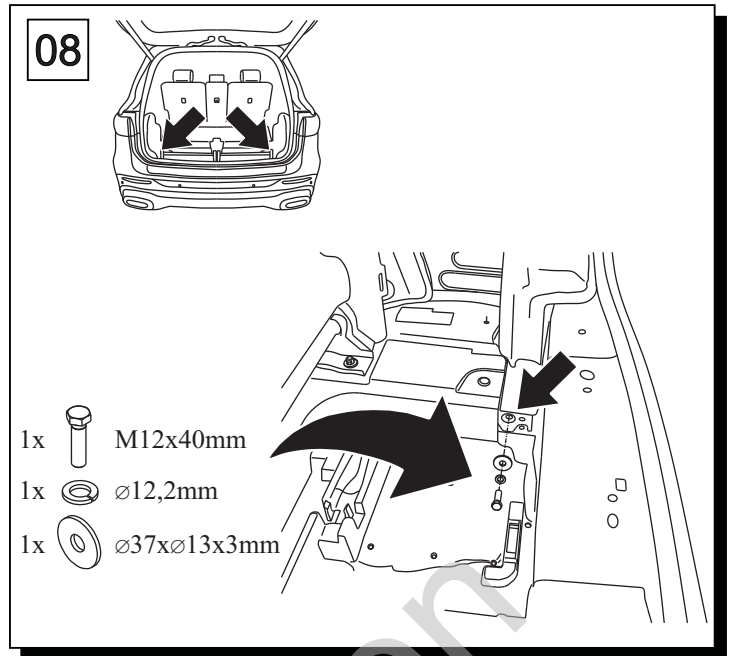
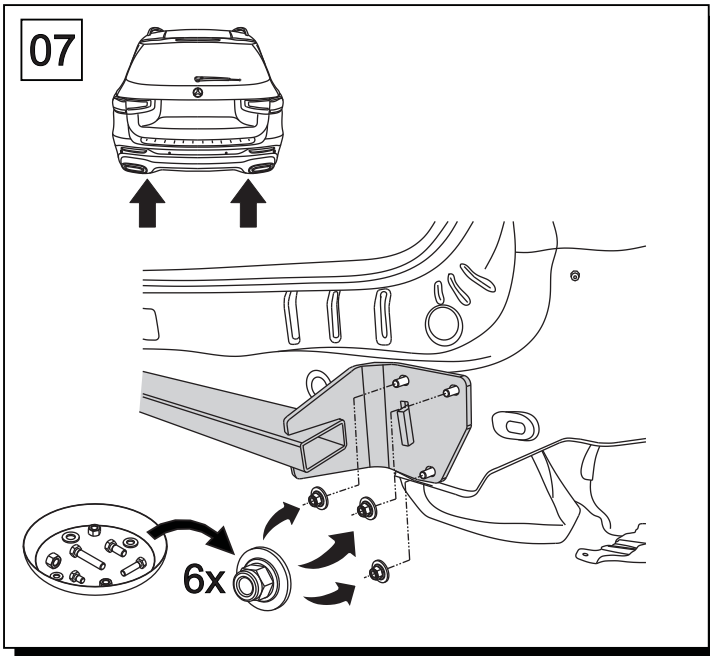


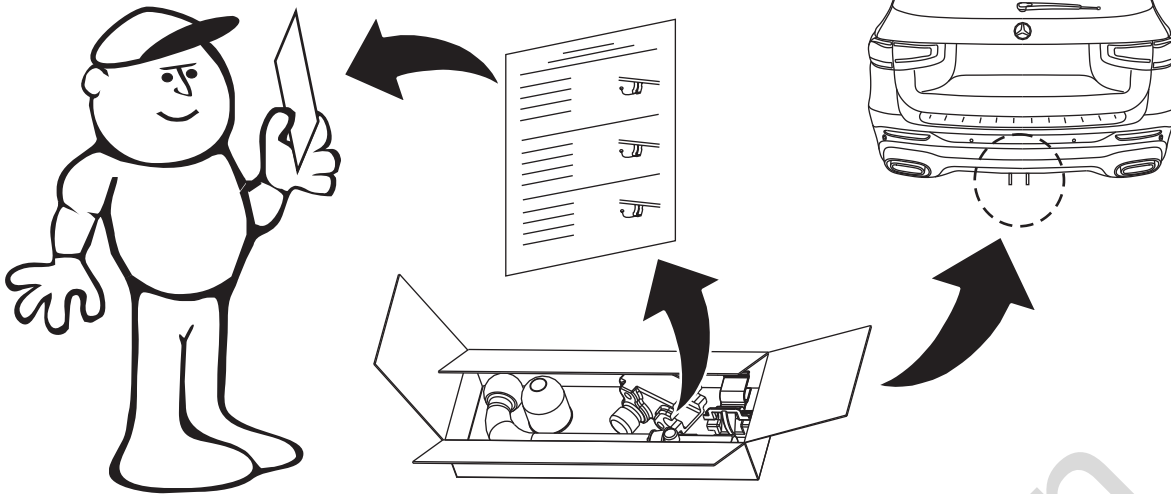
05



06







Olifant trekhaken

