

# AUTO-HAK Sp. z o.o.

ul. Słoneczna 16K 76-200 SŁUPSK  
POLAND

tel/fax +48 59 8 414 414; +48 59 8 414 413

e-mail: [office@autohak.com.pl](mailto:office@autohak.com.pl)

[www.autohak.com.pl](http://www.autohak.com.pl)




# AUTO-HAK

## MERCEDES GLE (W167)


Cat. no:


**D61A**

 10.2018 →

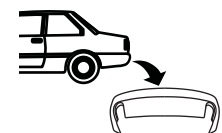
 E20-55R-01 5867

**D** 16,0 kN

 **R=3500 kg**

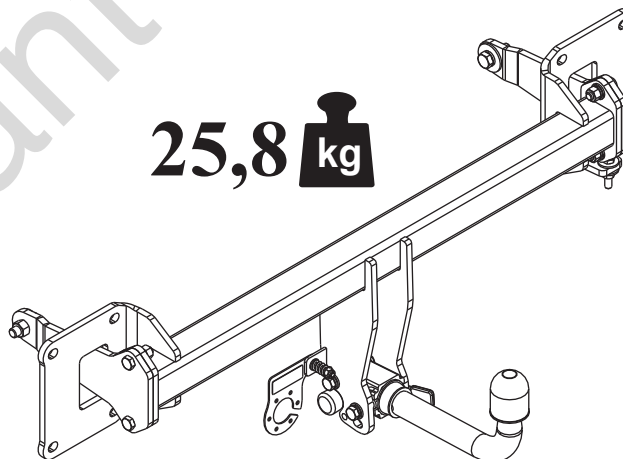
 **S=140 kg**

 **2h**



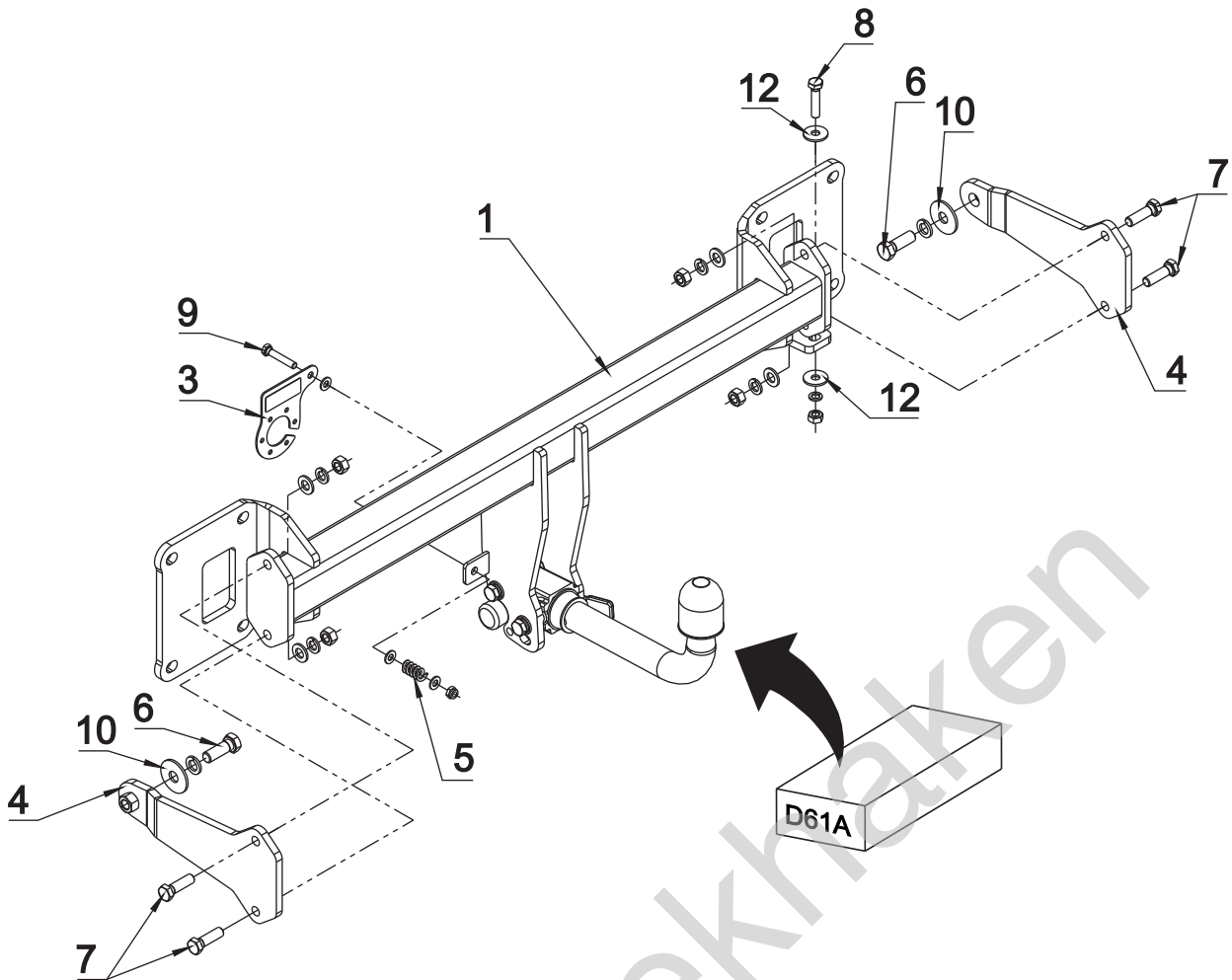


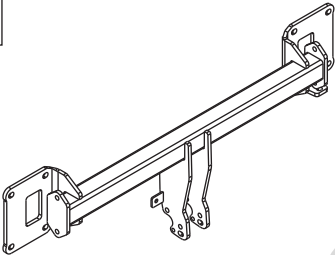

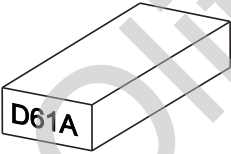



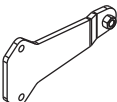

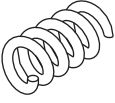
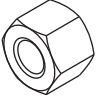
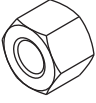
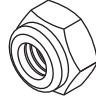
**25,8 kg**

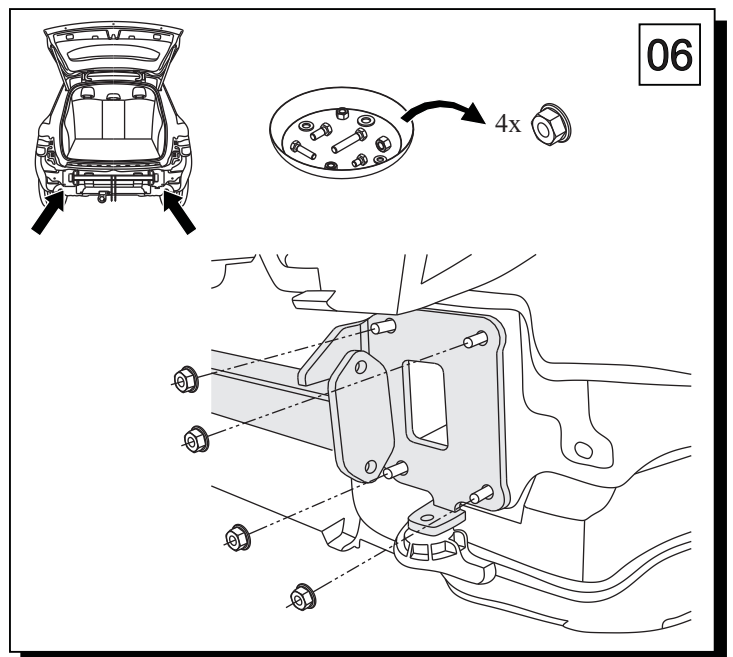
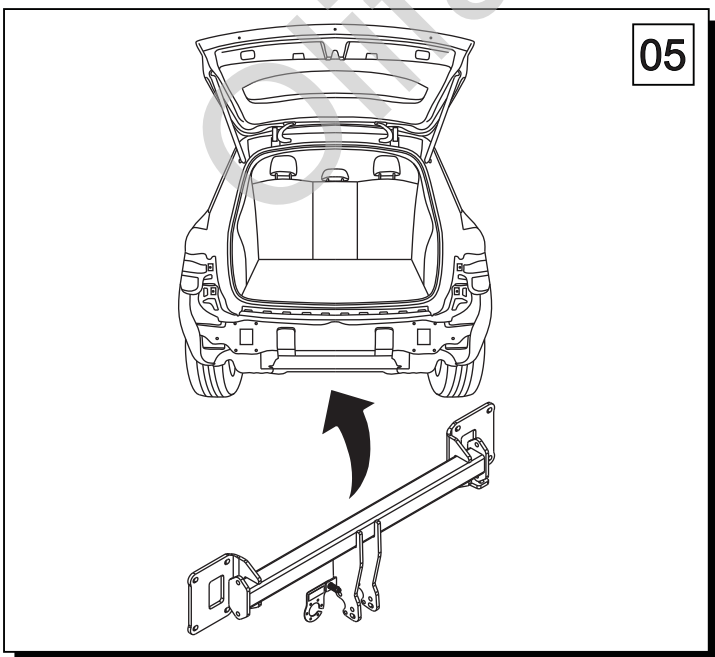
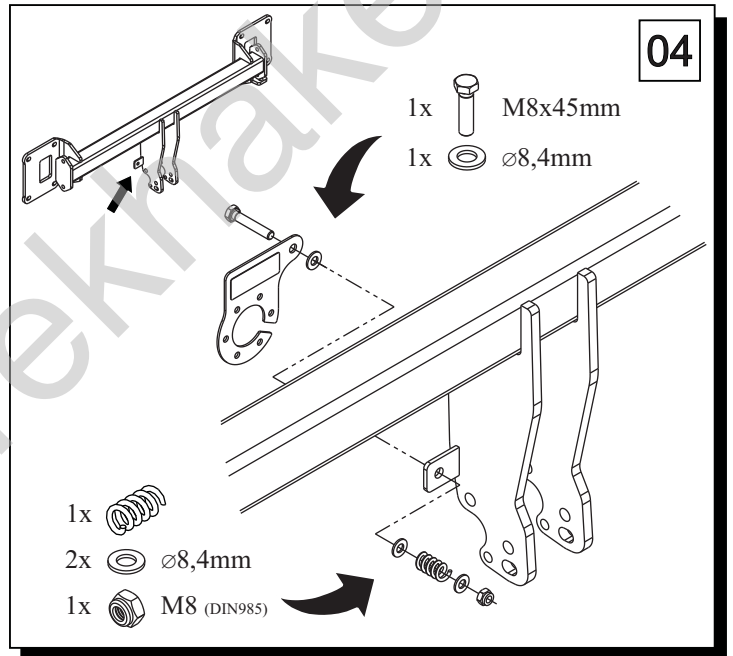
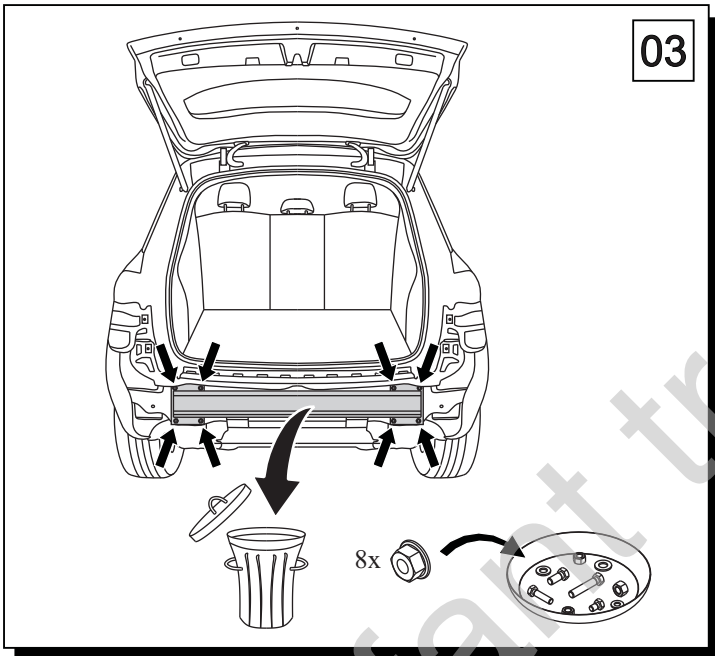
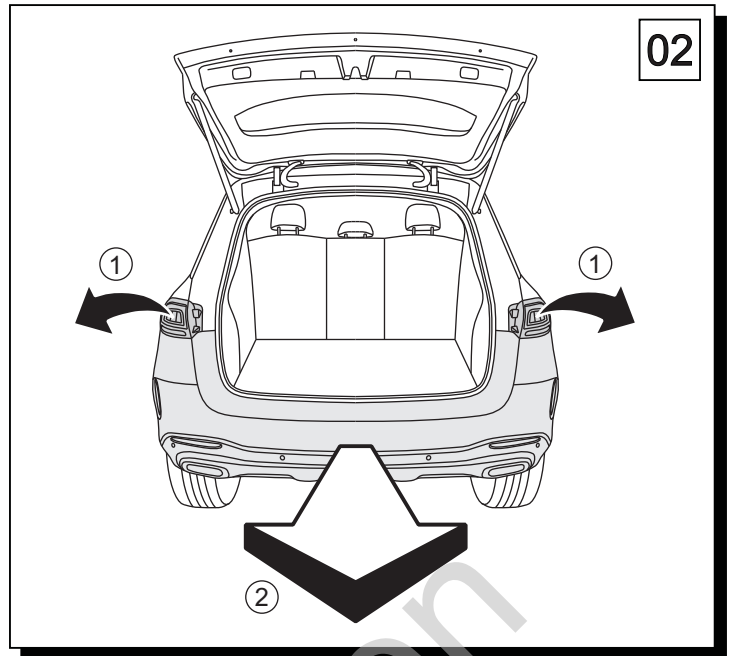
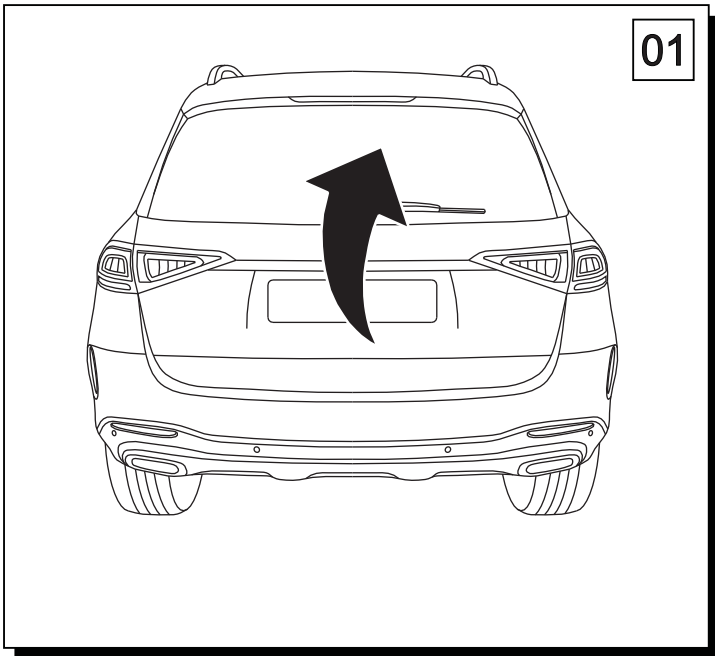


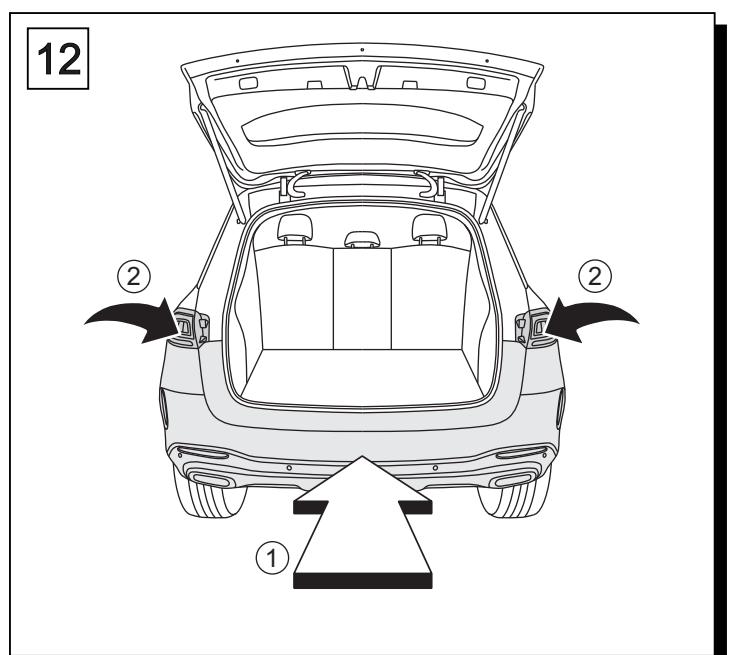
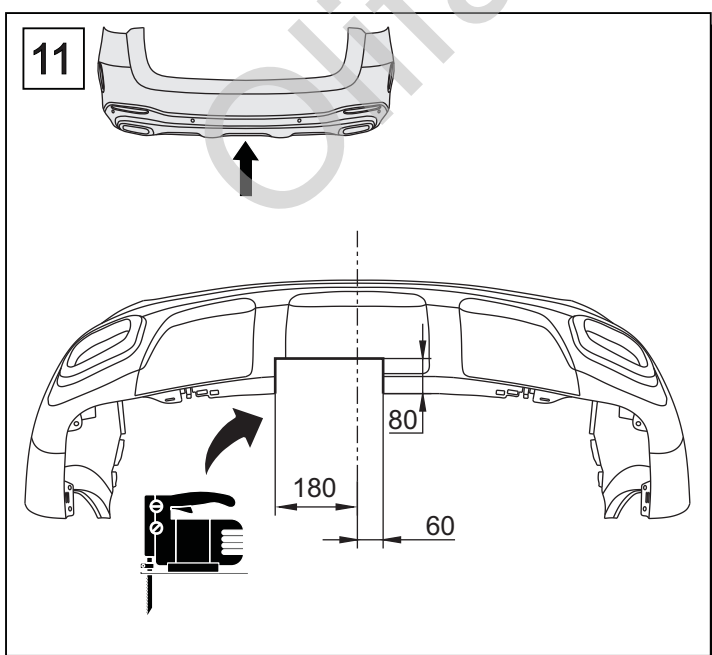
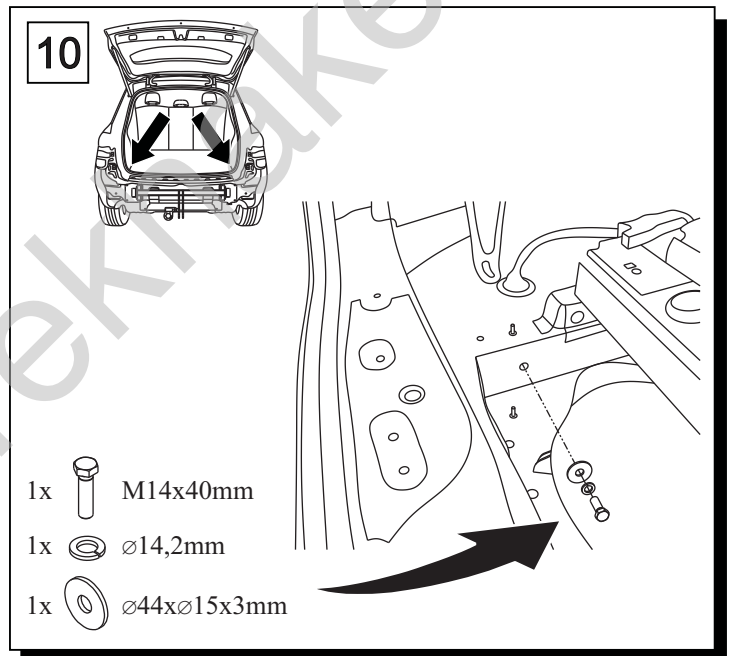
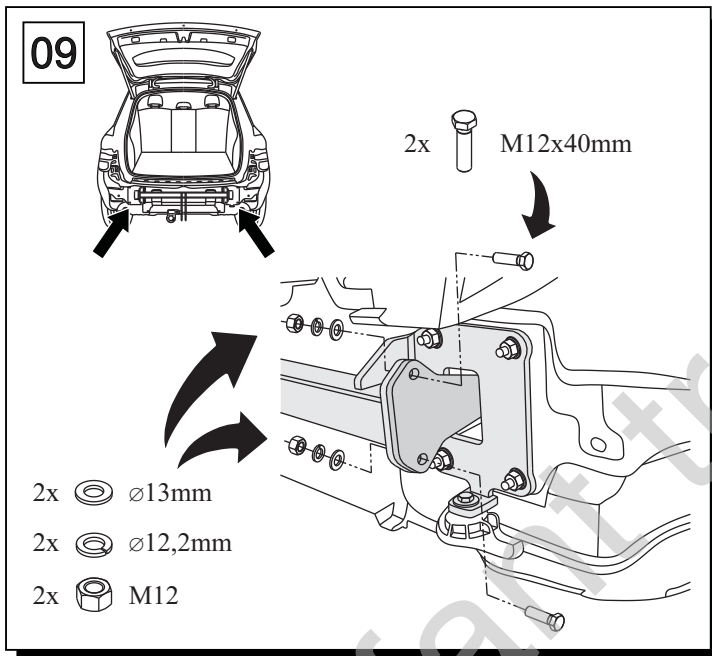
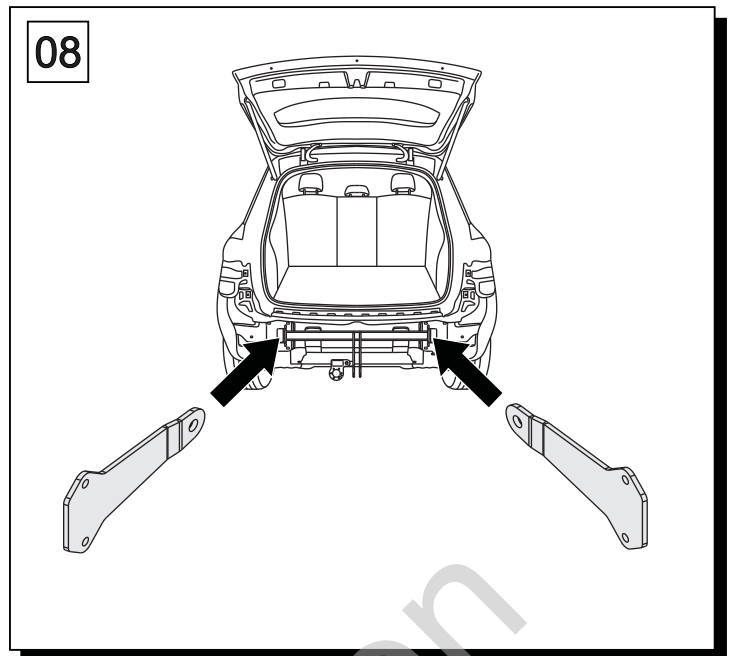
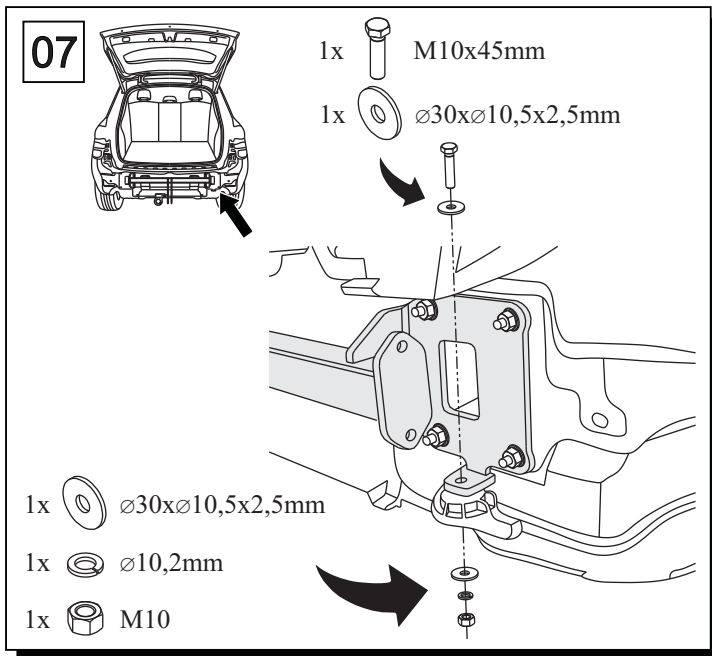
śruba Nm	M6	M8	M10	M12	M14	M16
klasa 8.8	9,9	24	48	83	132	200
klasa 10.9	14	34	67	117	185	285

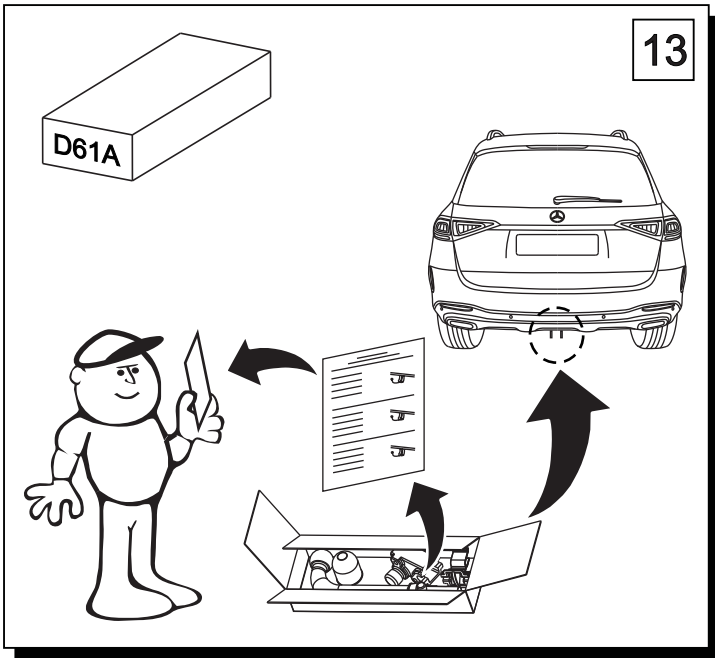
 0 km →  1000 km



1		x1		6	M 14x40	x2
				7	M 12x40	x4
2		x1		8	M 10x45	x1
				9	M 8x45	x1
				10	∅ 44x∅15x3 14 DIN 9021	2
3		x1		11	∅ 13	x4
				12	∅ 30x∅10.5x2.5 10 DIN 9021	2
4		x2		13	∅ 8.3	x3
				14	∅ 14.2	x2
5		x1		15	∅ 12.2	x4
				16	∅ 10.2	x1
				17	M 12	x4
				18	M 10	x1
				19	M 8 (DIN985)	x1







Olifant trekhaken