

AUTO-HAK Sp. z o.o.
 ul. Słoneczna 16K 76-200 SŁUPSK
 POLAND
 tel/fax +48 59 8 414 414; +48 59 8 414 413
 e-mail: office@autohak.com.pl
www.autohak.com.pl





AUTO-HAK

**MERCEDES C-KLASA KOMBI
 (S205), ~~AMG~~, AdBlue**

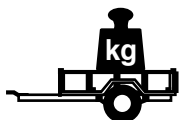
Cat. no:

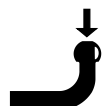
D58A

 **06.2014 → 06.2018**
07.2018 →

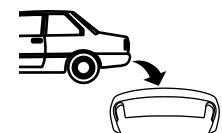
 **E20-55R-01 5646**

D 10,50 kN


 **R=2150 kg**

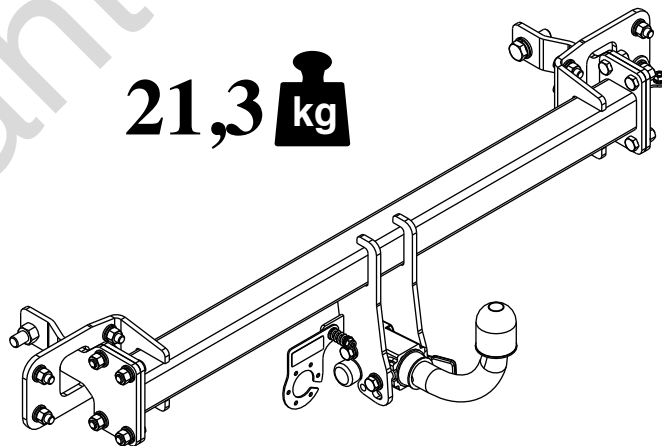
 **S=75 kg**

 **2h**





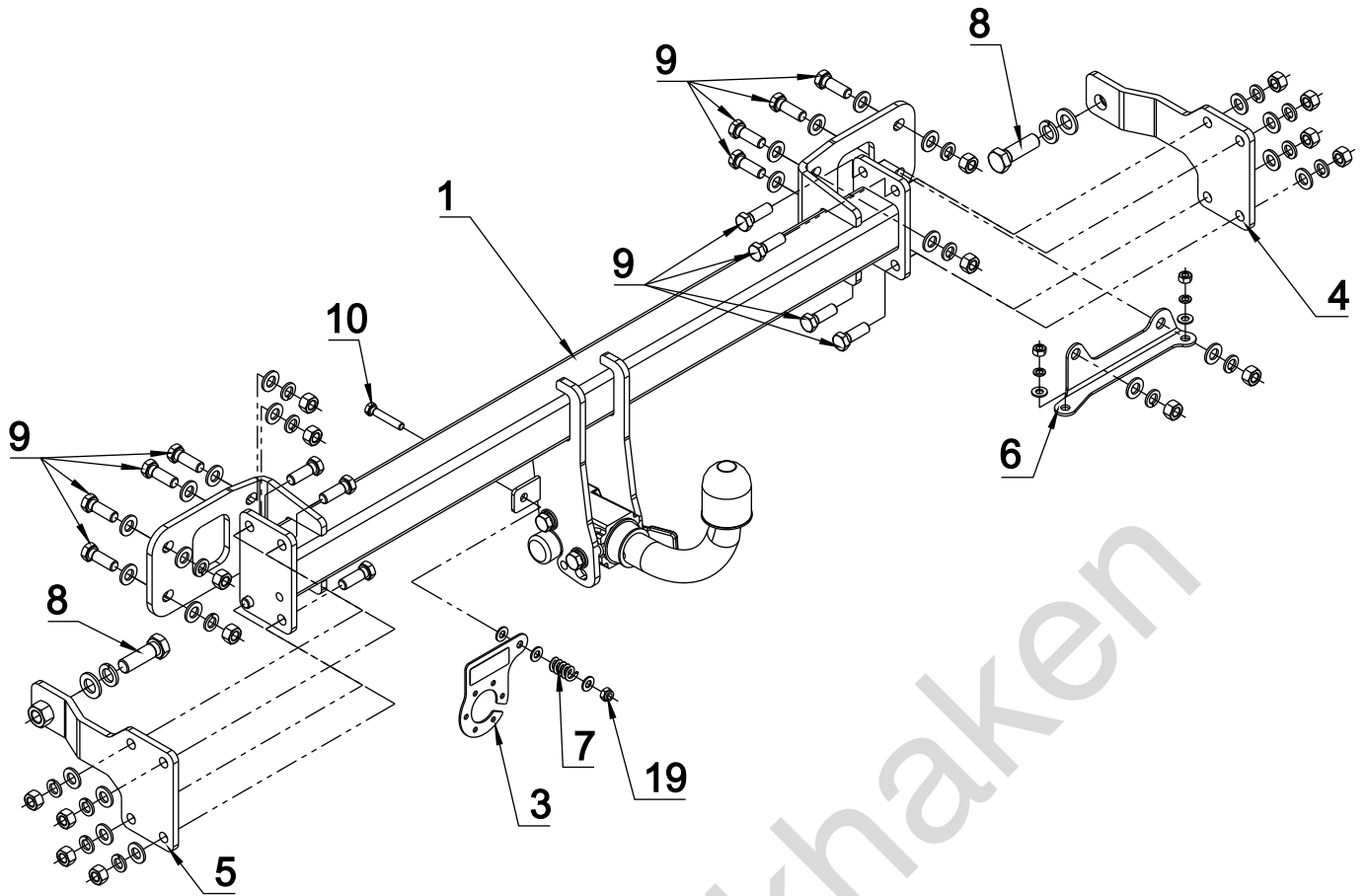


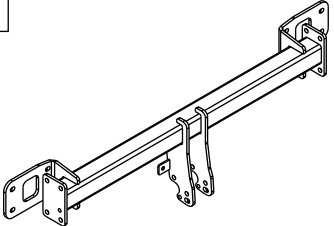

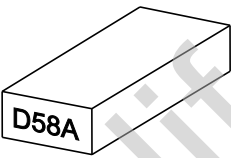



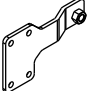
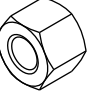
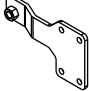

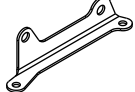
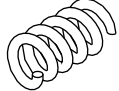
21,3 kg 



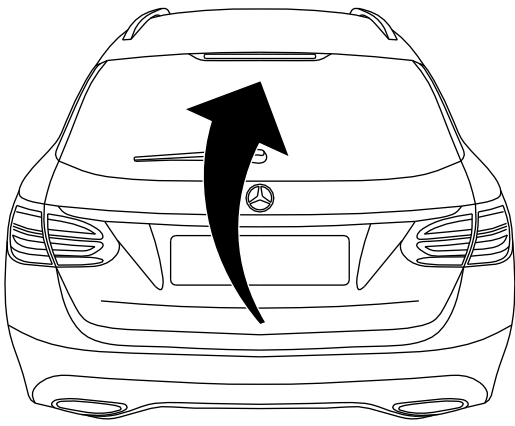
śruba	Nm	M6	M8	M10	M12	M14	M16
klasa 8.8		9,9	24	48	83	132	200
klasa 10.9		14	34	67	117	185	285

 **0 km** →  **1000 km**

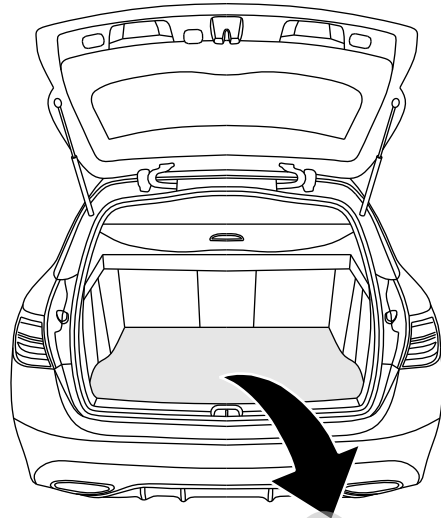


	x1		8	M16x50	x2
			9	M12x35	x16
			10	M8x45	x1
			11	∅ 17	x2
 Art.nr-KL1D58A	x1		12	∅ 13	x24
			13	∅ 8.5	x5
			14	∅ 16.3	x2
 Art.nr-BL12D58A	x1		15	∅ 12.2	x16
			16	∅ 8.2	x2
	x1		17	M12	x16
			18	M8	x2
	x1		19	M8 (DIN985)	x1
				x1	
	x1				

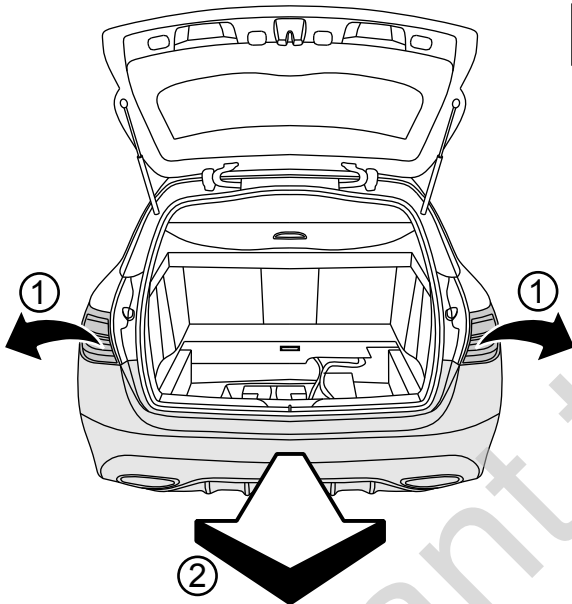
01



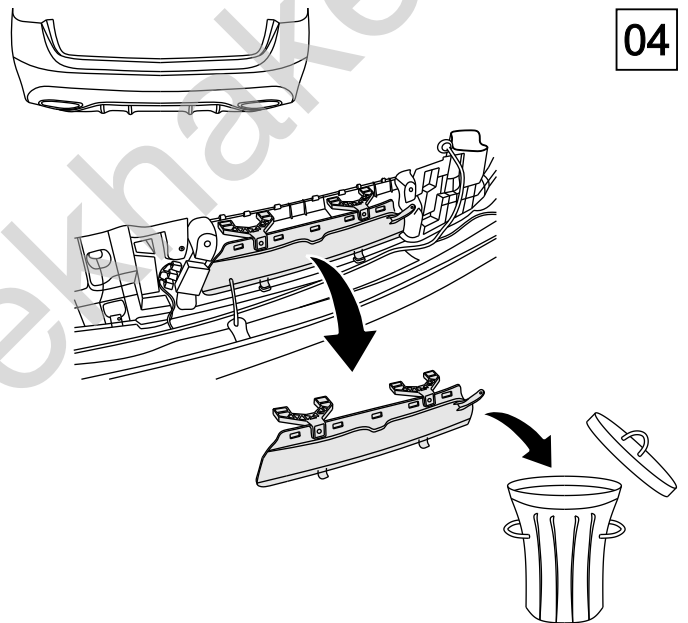
02



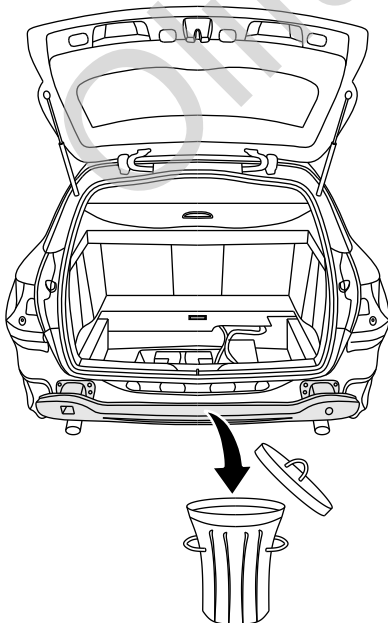
03



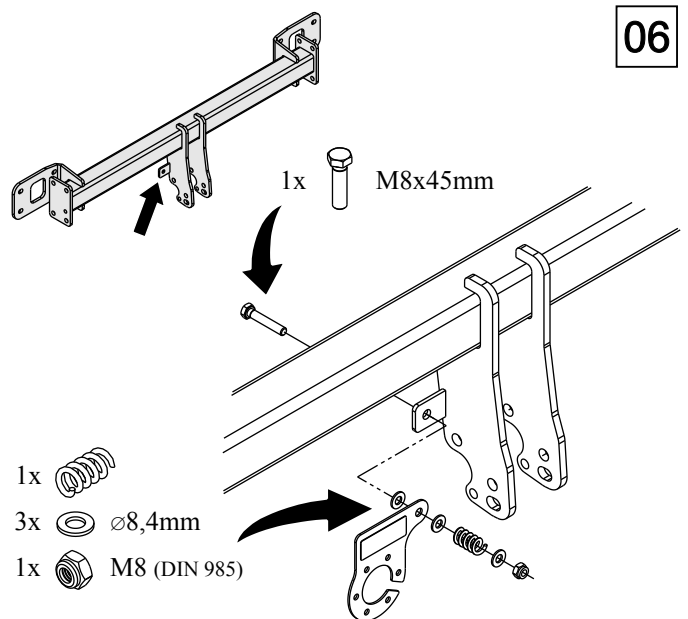
04

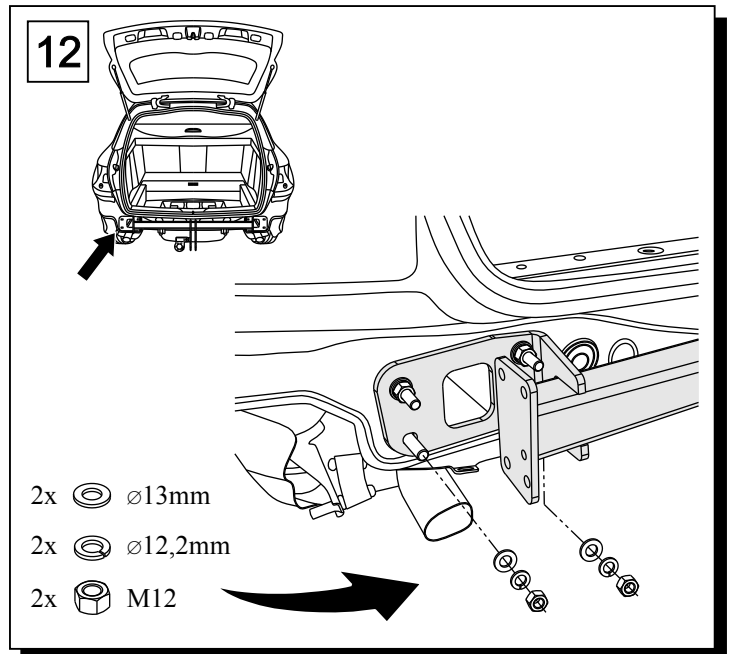
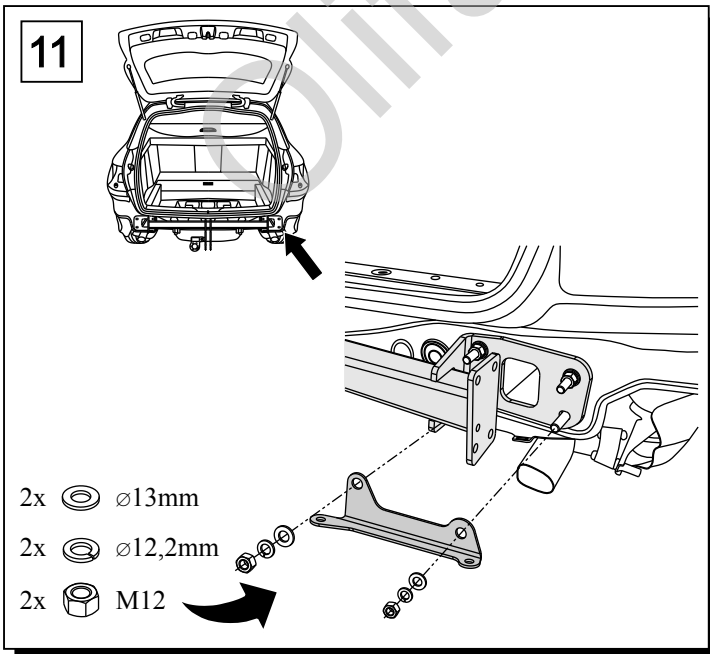
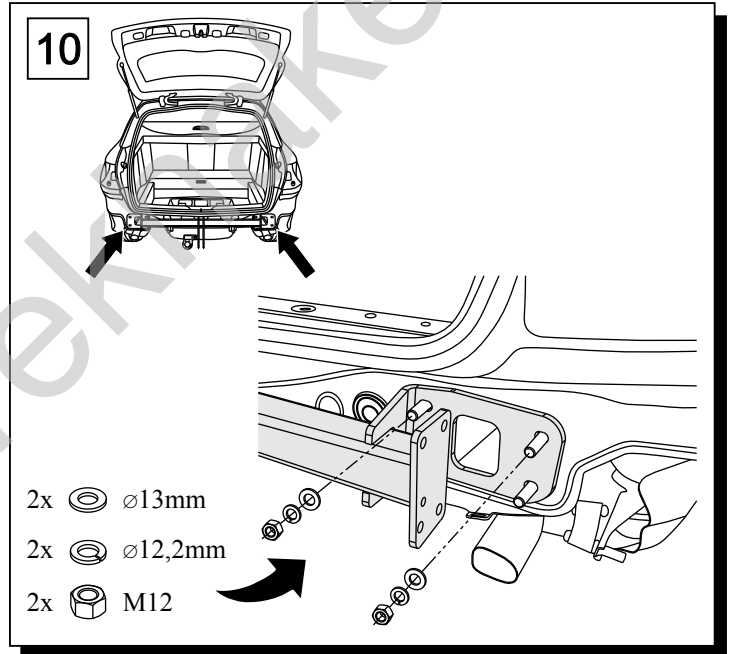
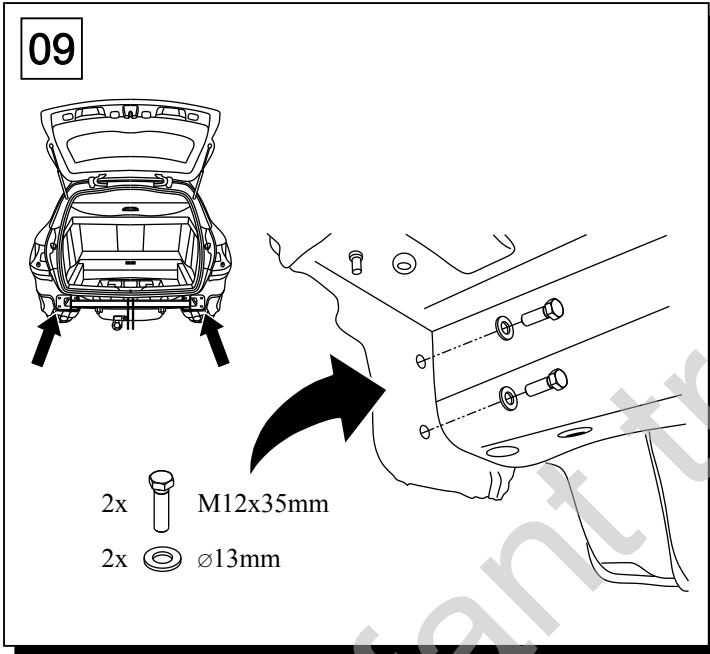
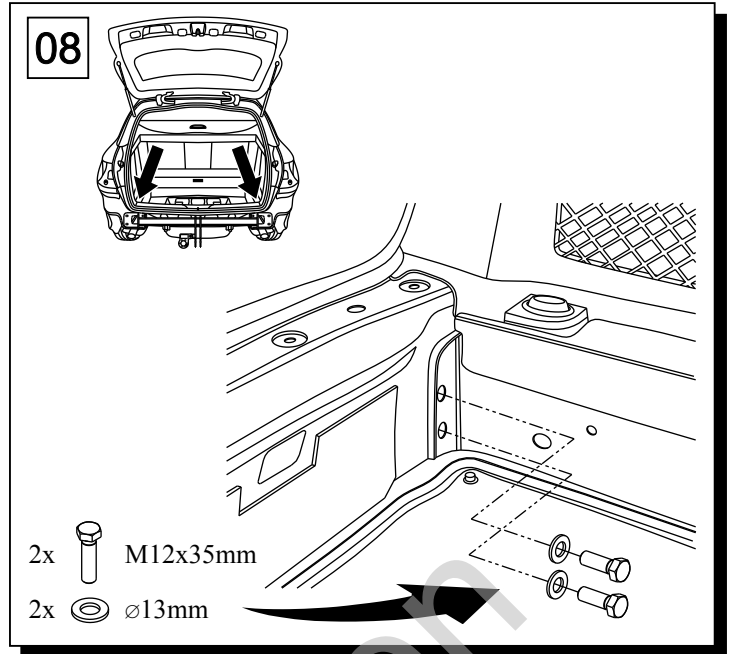
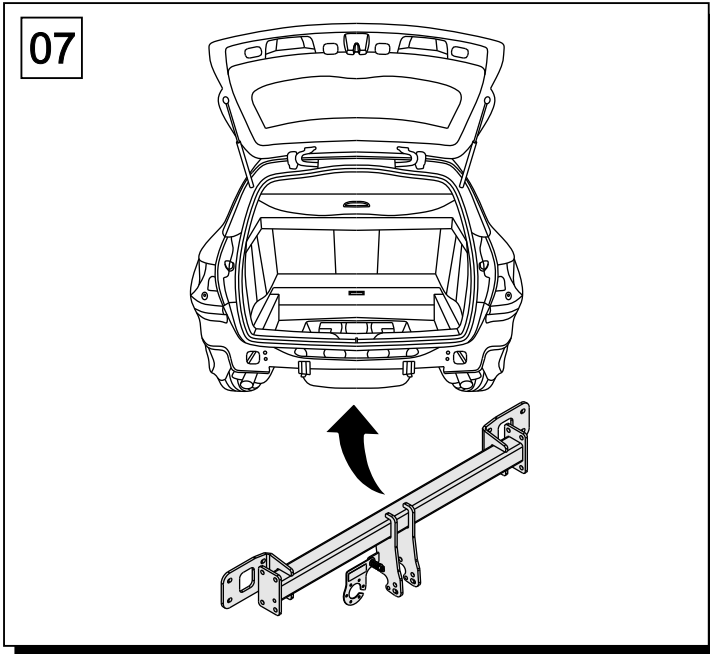


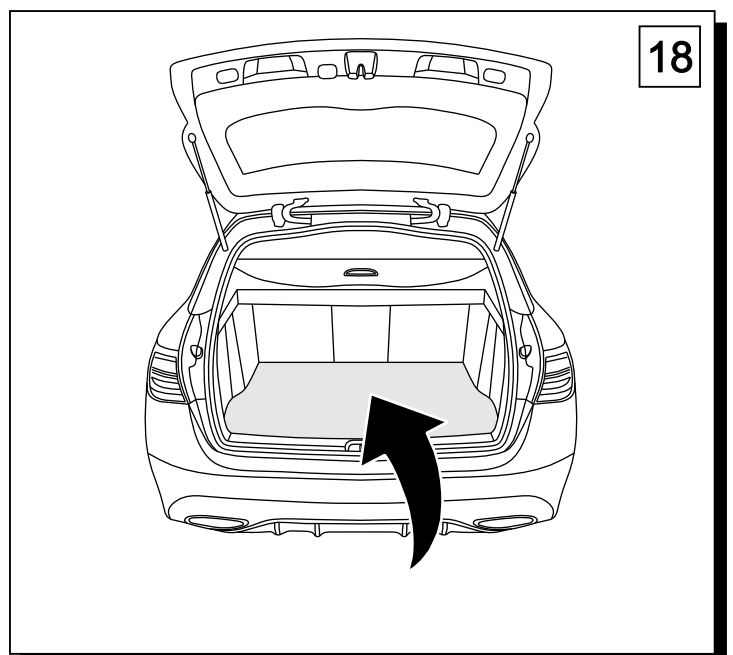
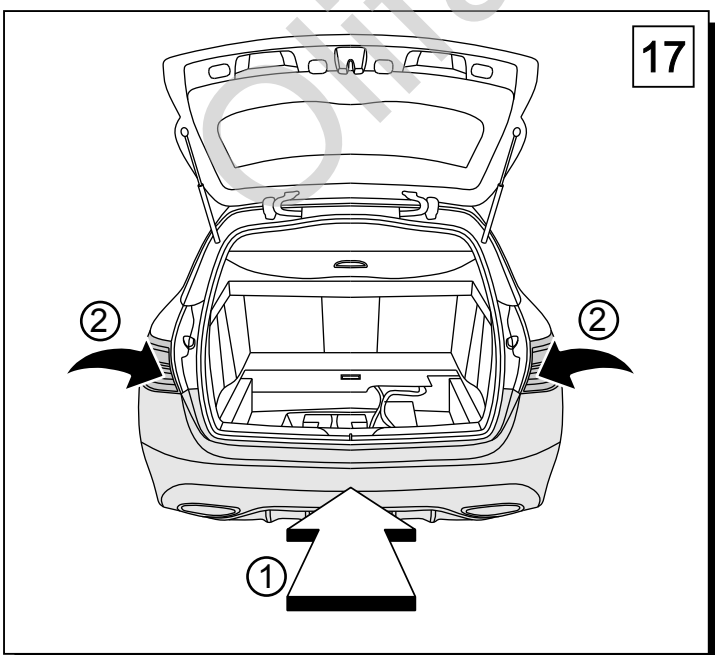
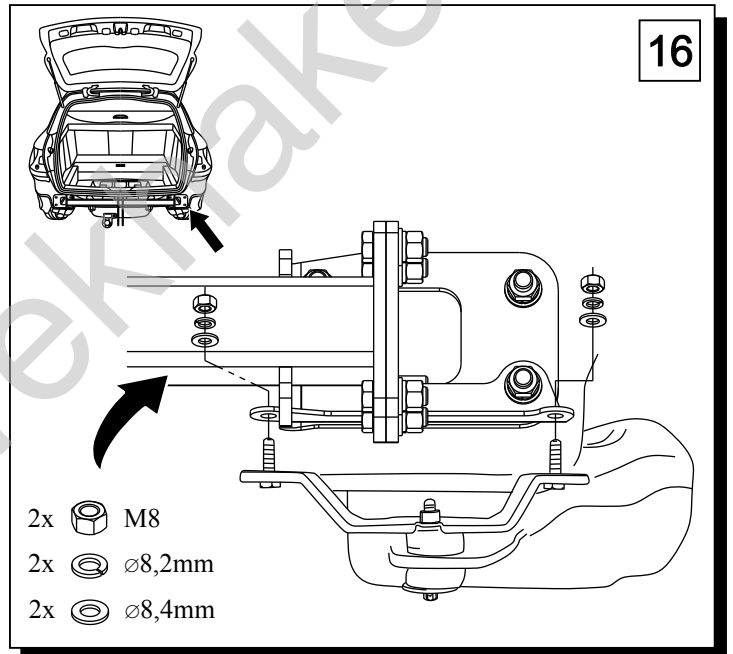
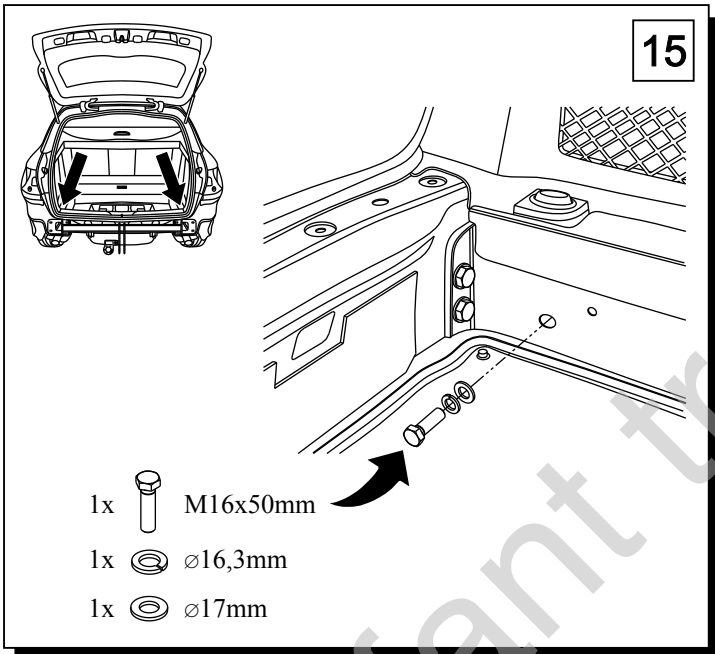
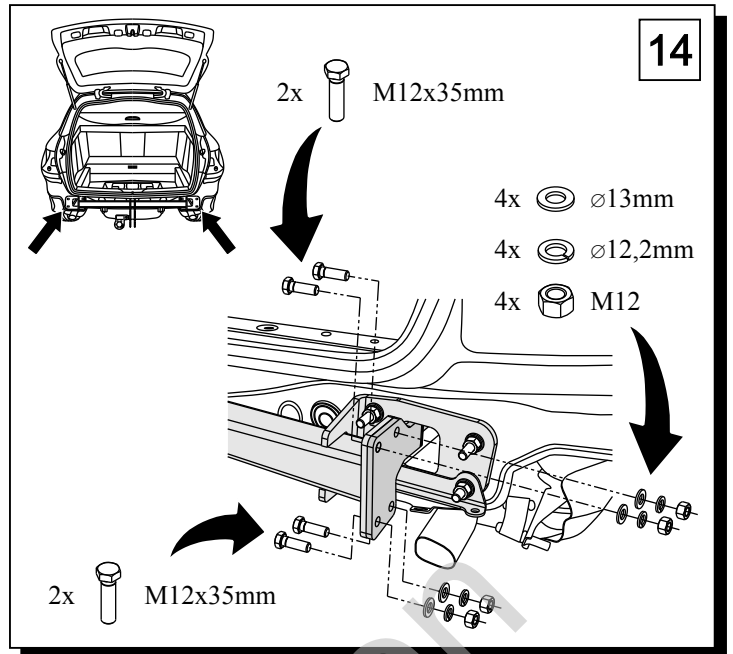
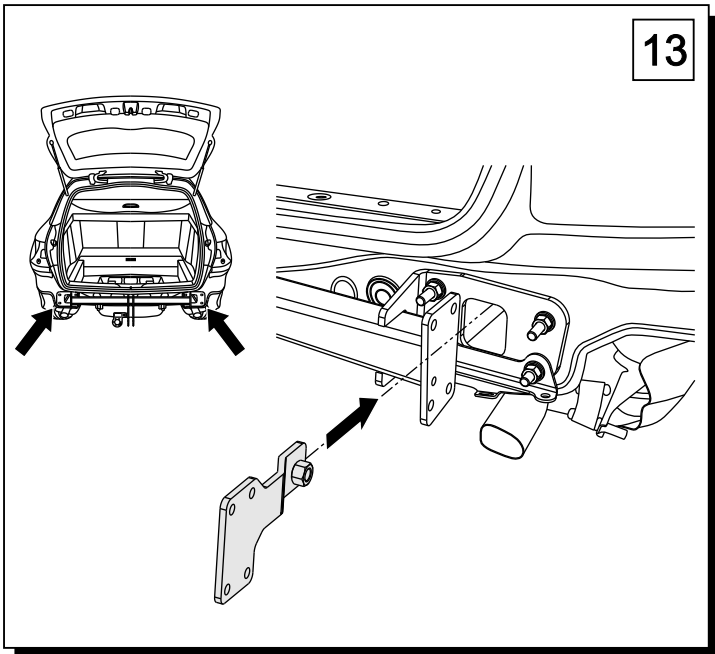
05



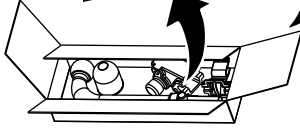
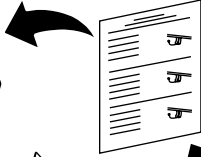
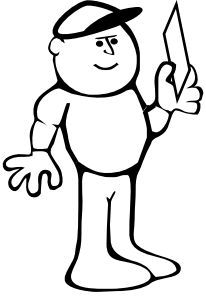
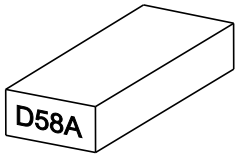
06







19



Olifant trekhaken