

PPUH AUTO-HAK Sp.J.

Henryk i Zbigniew Nejman
ul. Słoneczna 16K 76-200 SŁUPSK
POLAND

tel/fax +48 59 8 414 414; +48 59 8 414 413

e-mail: office@autohak.com.pl

www.autohak.com.pl



AUTO-HAK

MERCEDES

- E-klasa SEDAN (W213) ~~AMG~~

 04.2016 →

- E-klasa KOMBI (S213) ~~AMG~~

 04.2016 →

- E-klasa KOMBI (S213)


T-model, All Terrain

 04.2016 →

 E20-55R-01 5431

D 11,45 kN

 R=2100 kg

 S=115 kg

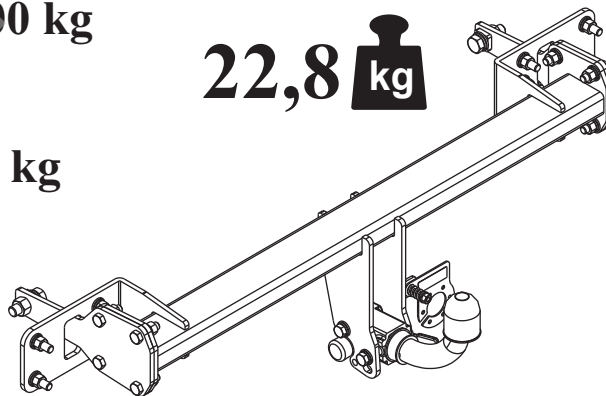
22,8 kg

Cat. no:

D57A

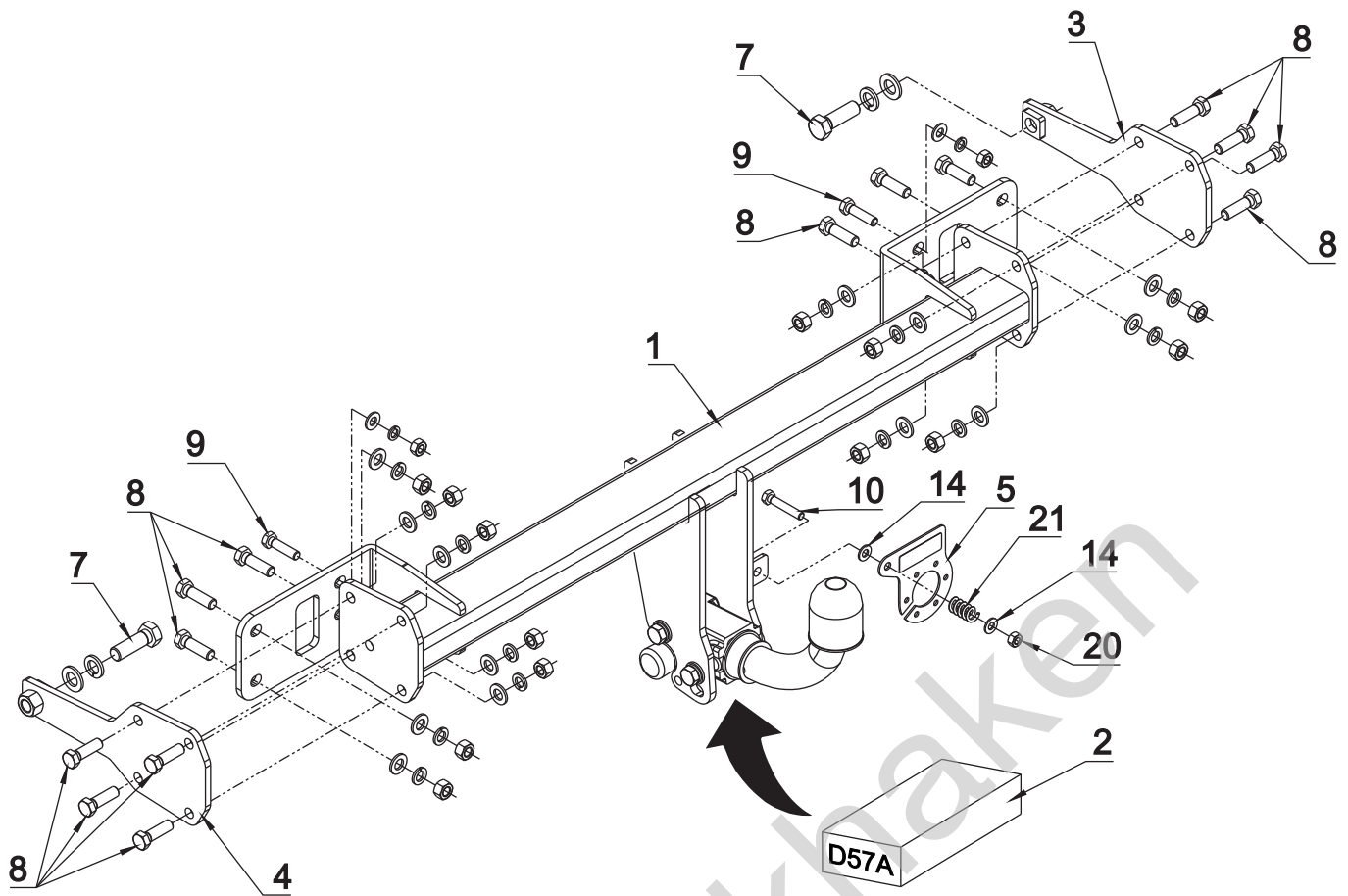


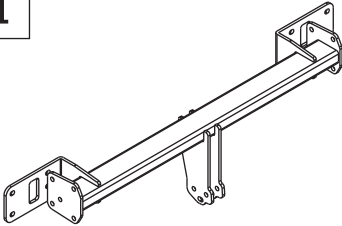

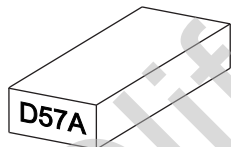

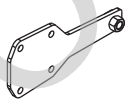

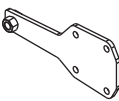
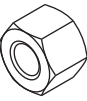
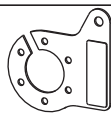

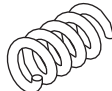

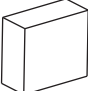
2h



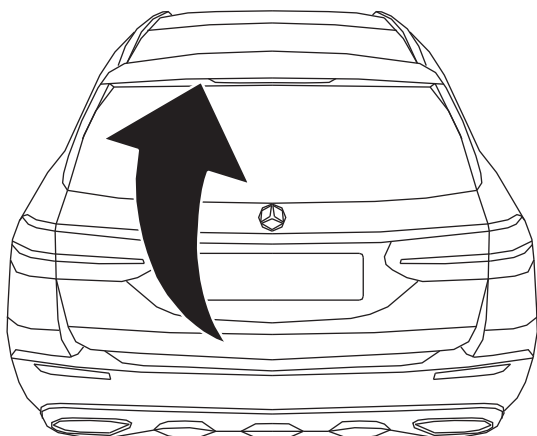
śruba	Nm	M6	M8	M10	M12	M14	M16
klasa 8.8		9,9	24	48	83	132	200
klasa 10.9		14	34	67	117	185	285

 0 km →  1000 km

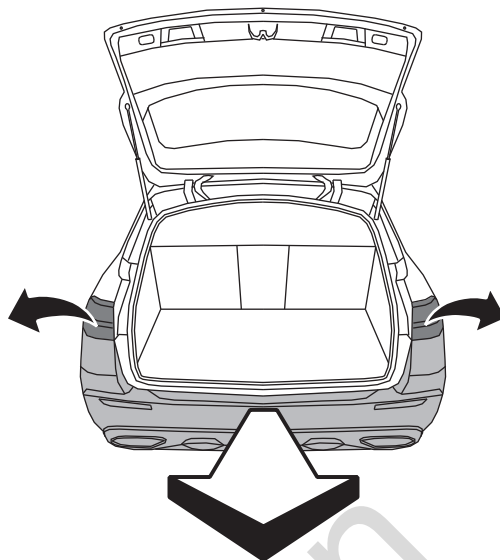


	x 1		7	M16x40	x 2
			8	M12x40	x14
			9	M10x40	x 2
			10	M8x45	x 1
 Art.nr-KL1D57A	x 1		11	∅ 17	x 2
			12	∅ 13	x14
			13	∅ 10.5	x 2
			14	∅ 8.4	x 2
	x 1		15	∅ 16.3	x 2
			16	∅ 12.2	x14
			17	∅ 10.2	x 2
	x 1		18	M12	x 14
			19	M10	x 2
 Art.nr-BL13D57A	x 1		20	M8	x 1
			21		x 1
	x 1			80x08x30	x 1
			22		x 2

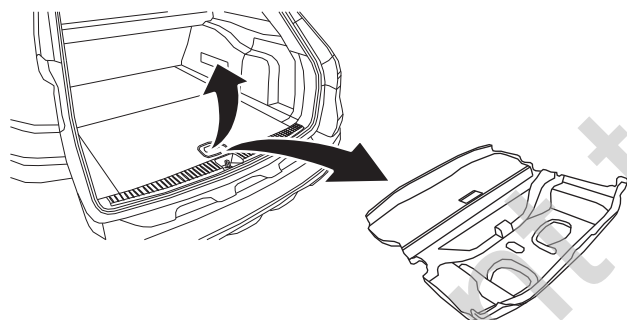
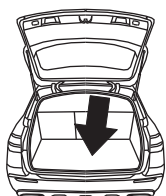
01



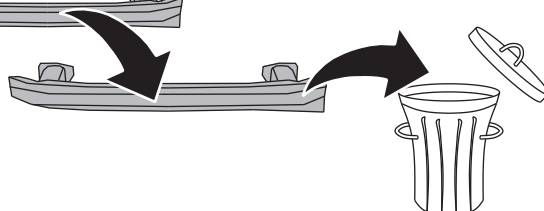
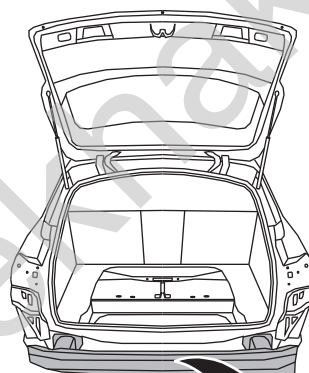
02



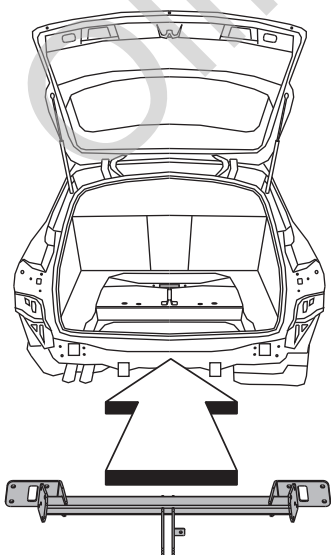
03



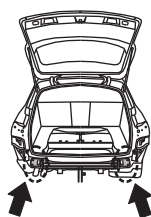
04






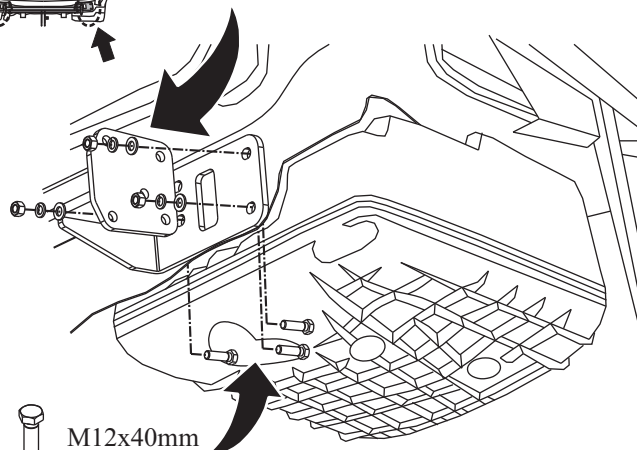
05



06



- 3x  $\varnothing 13\text{mm}$
- 3x  $\varnothing 12,2\text{mm}$
- 3x  M12



- 3x  M12x40mm

