

AUTO-HAK Sp. z o.o.

ul. Słoneczna 16K 76-200 SŁUPSK
POLAND

tel/fax +48 59 8 414 414; +48 59 8 414 413

e-mail: office@autohak.com.pl

www.autohak.com.pl



AUTO-HAK

MERCEDES CLA (C117)

Shooting Brake (X117)

~~AMG/AMG-Paket~~

Cat. no:

D54A



03.2015 → 05.2019



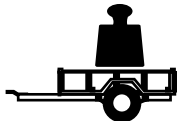
E20-55R-01 5279



2h

D

9,2 kN

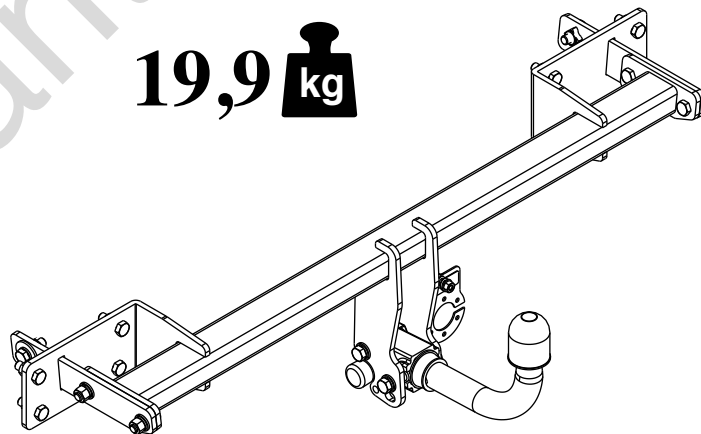


R=1500 kg



S=80 kg

19,9  kg



M6 - 11 Nm
M10 - 50 Nm
M14 - 138 Nm

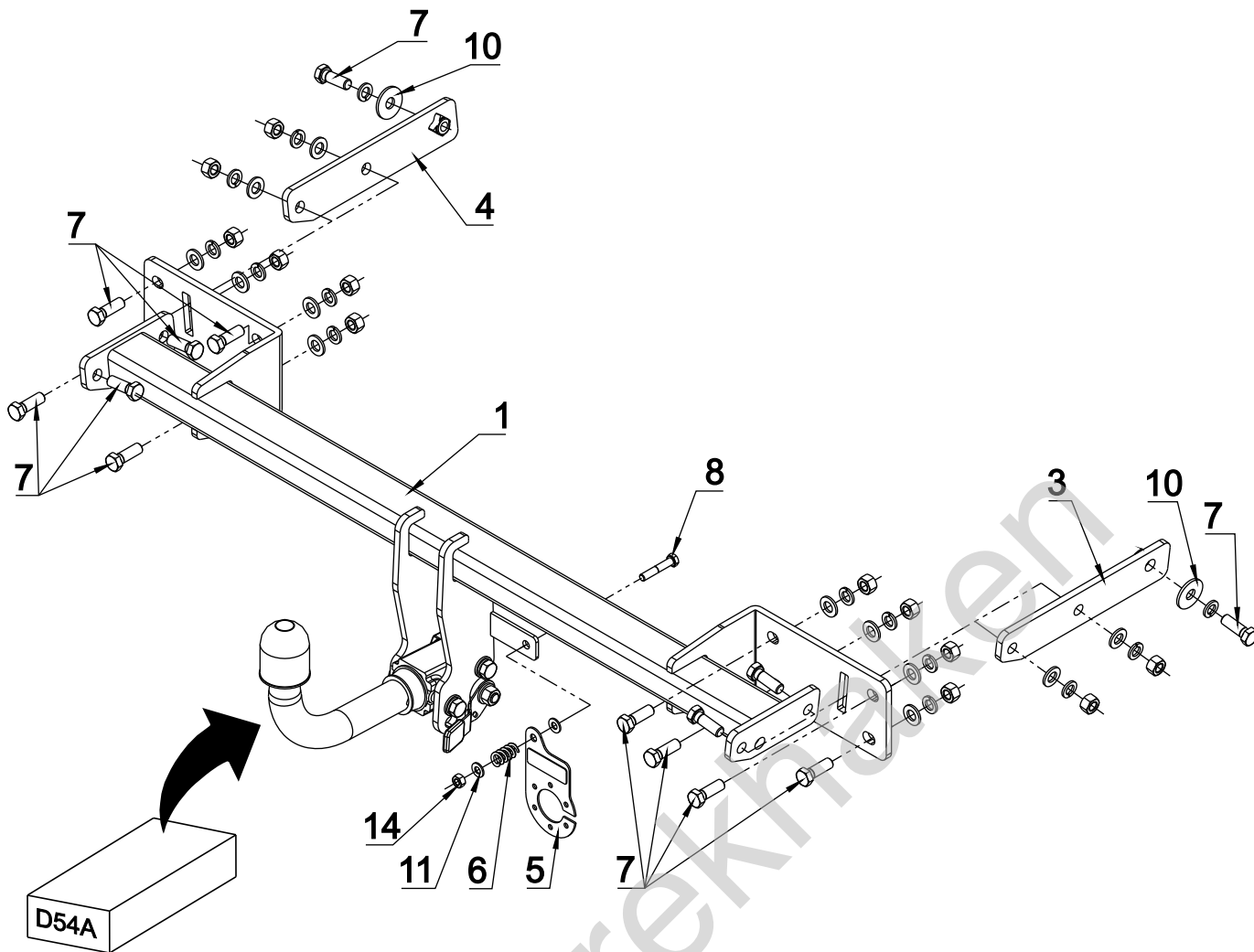
M8 - 25 Nm
M12 - 87 Nm
M16 - 210 Nm

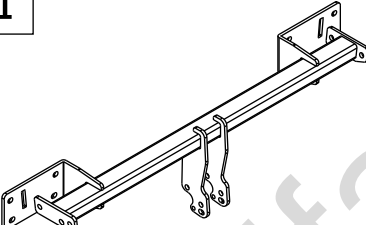



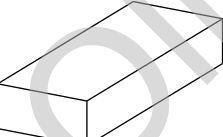

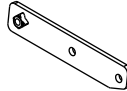
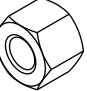
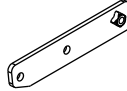

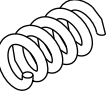


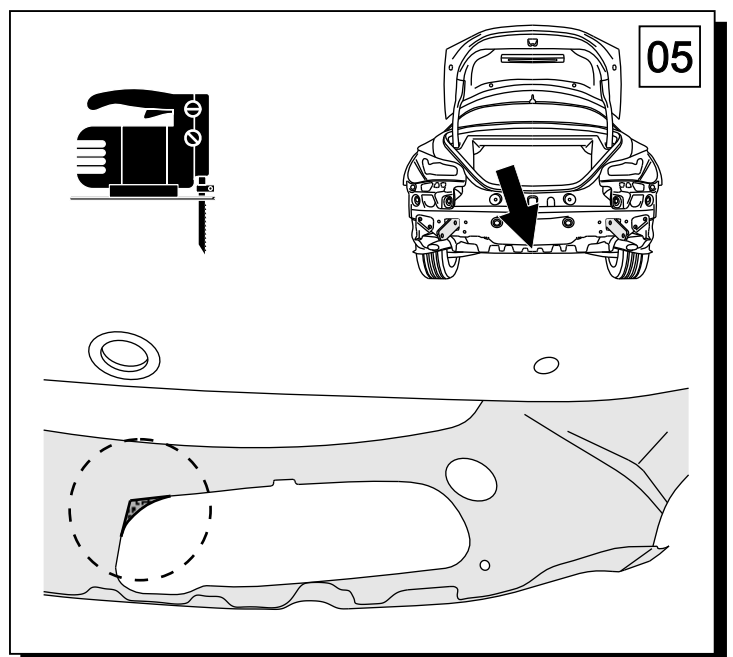
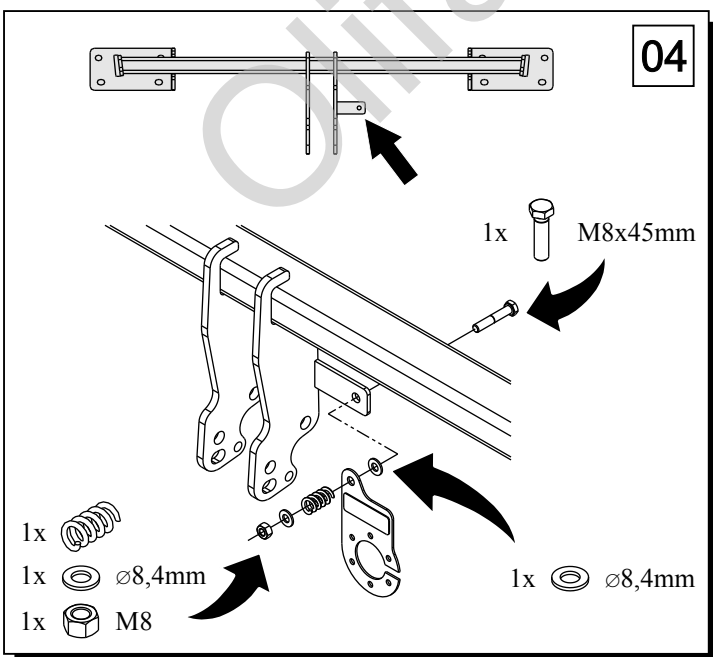
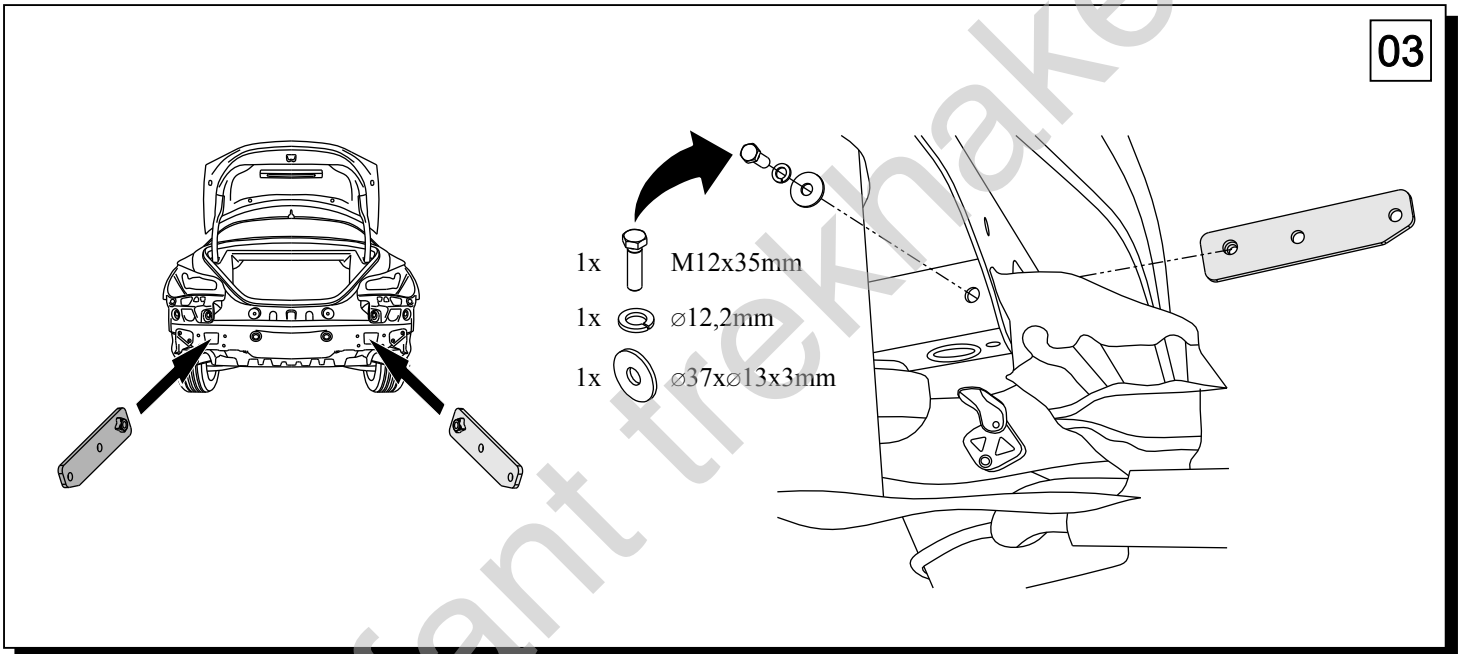
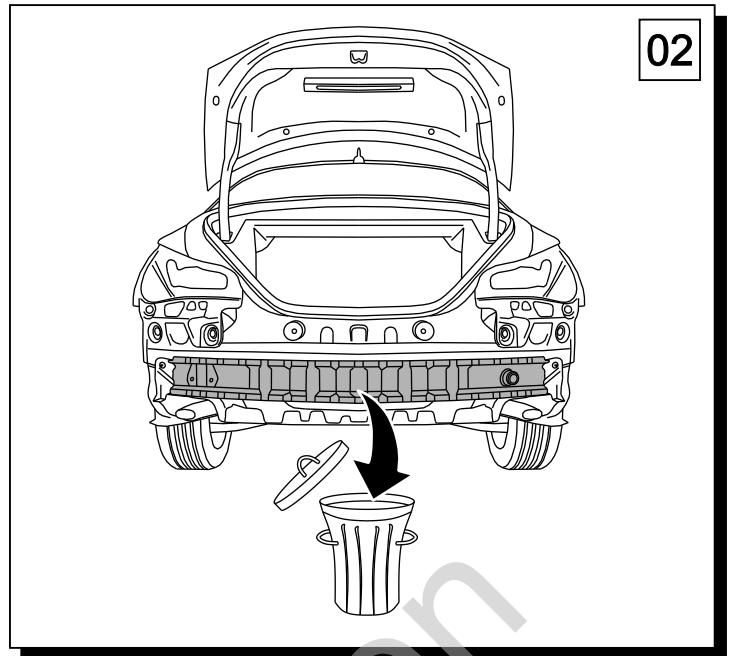
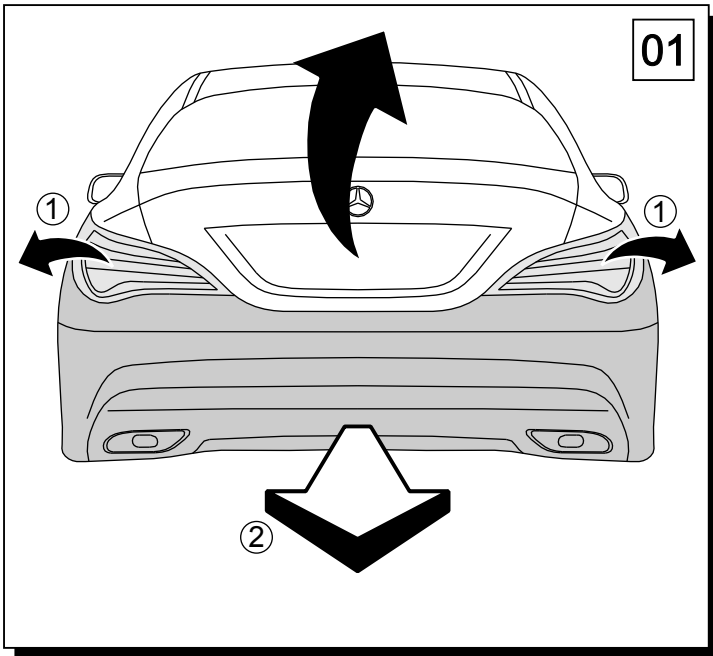
0 km →

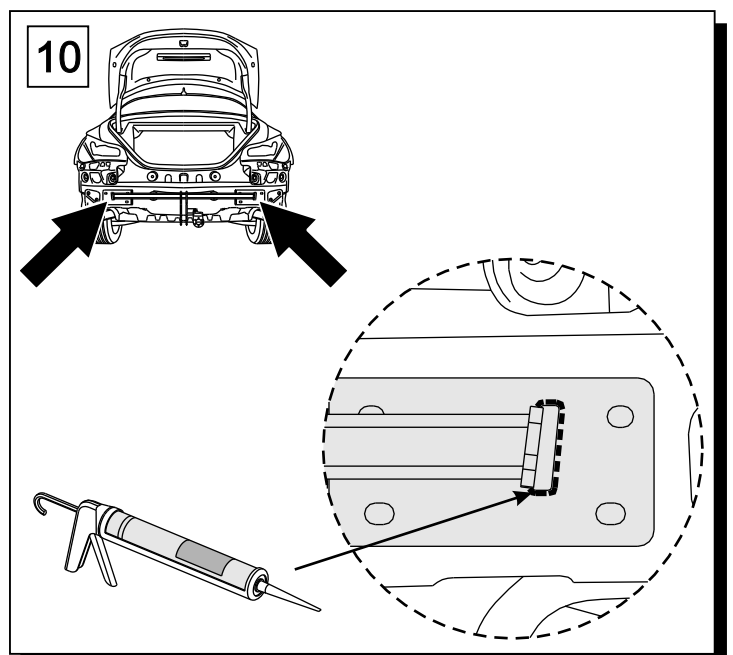
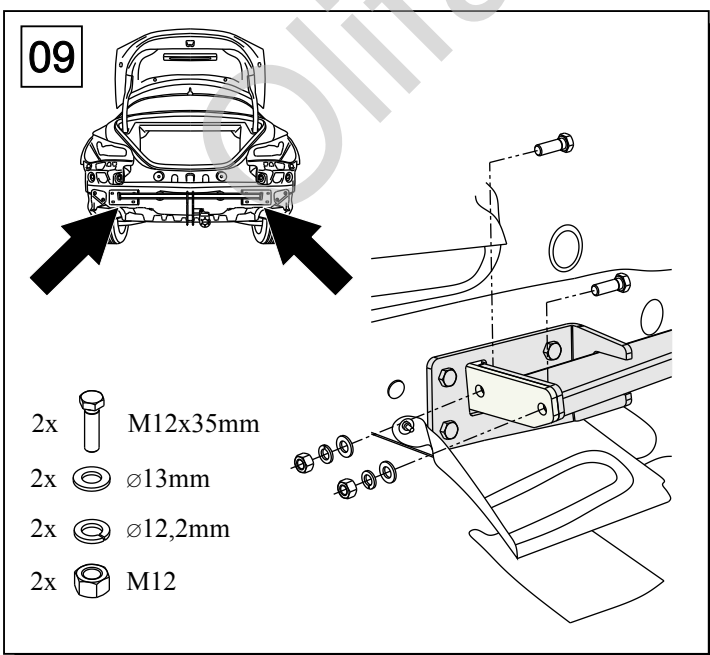
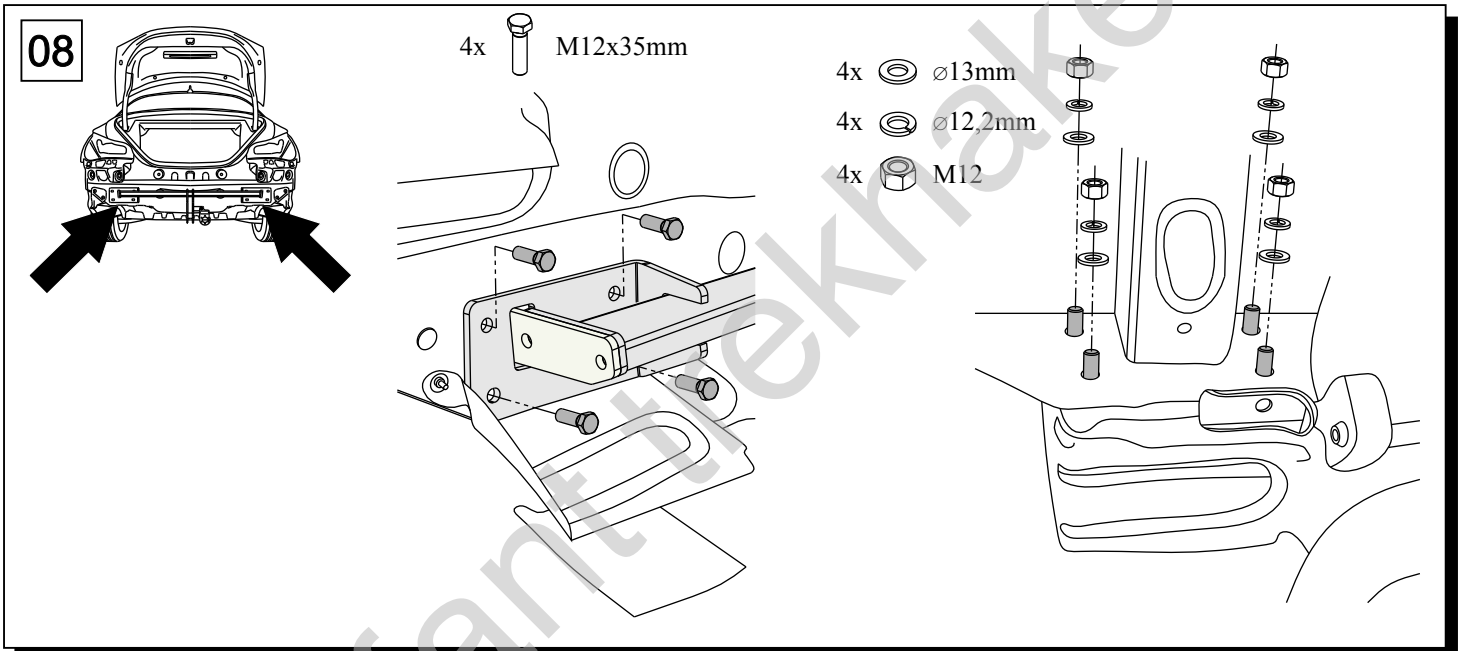
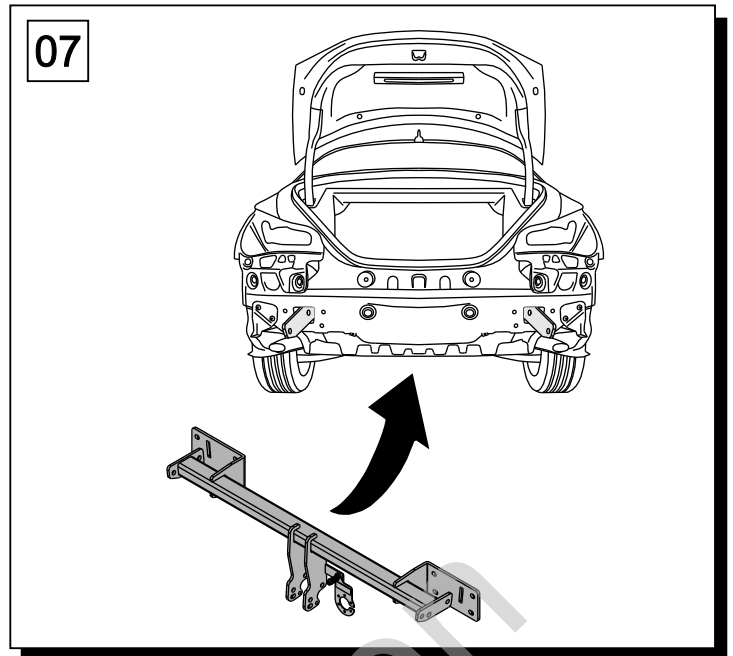
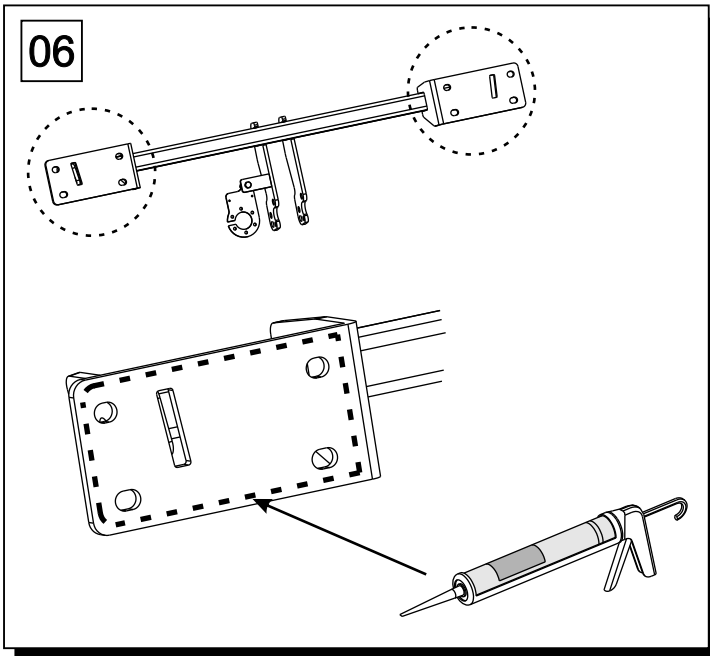


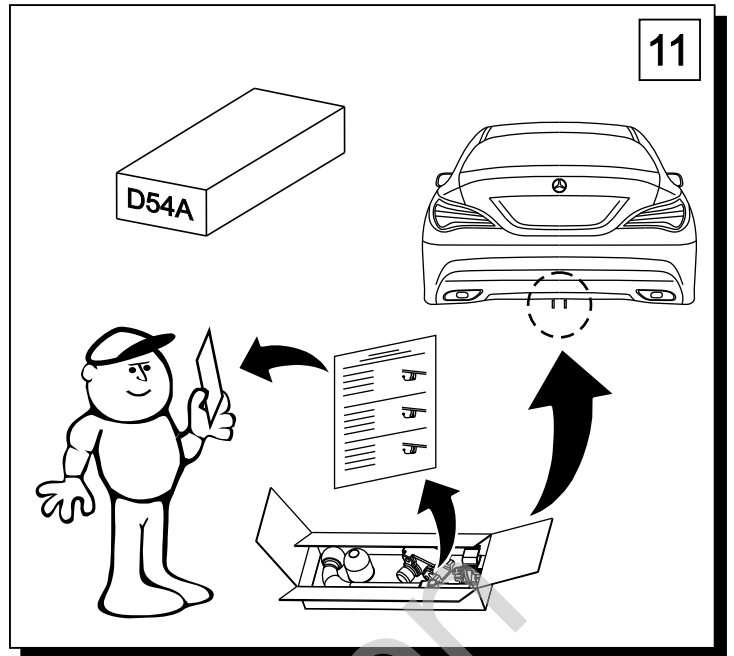
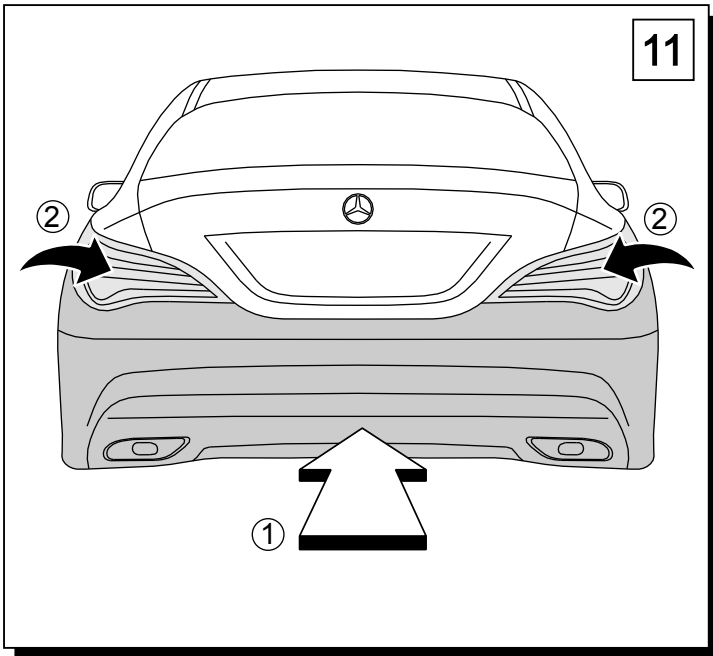
1000 km



1		x1		7	M12x35	x14
				8	M8x45	x1
				9	∅ 13	x12
				10	∅ 37x∅13x3 13 DIN 9021	x2
2		x1		11	∅ 8.4	x2
	Art.nr-KL1D54A			12	∅ 12.2	x14
3		x1		13	M12	x12
				14	M8	x1
4		x1				
5		x1				
	Art.nr-BL1D54A					
6		x1				







M6	-	11 Nm	M8	-	25 Nm
M10	-	50 Nm	M12	-	87 Nm
M14	-	138 Nm	M16	-	210 Nm

0 km → 1000 km