

# PPUH AUTO-HAK Sp.J.

Henryk & Zbigniew Nejman  
ul. Słoneczna 16K 76-200 SŁUPSK  
POLAND

tel/fax +48 059 8-414-414; 8-414-413

e-mail: [office@autohak.com.pl](mailto:office@autohak.com.pl)

[www.autohak.com.pl](http://www.autohak.com.pl)



# AUTO-HAK



**MERCEDES klasa R 5D**

Cat. no:

**D51A**



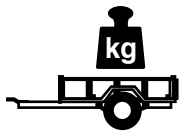
**02.2006 →**



**E20-55R-01 4678**



**12,5 kN**



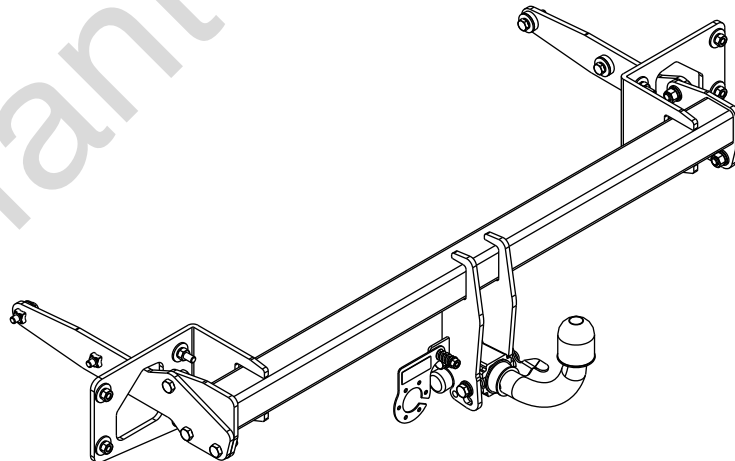
**R=2100 kg**



**S=85 kg**



**2h**



**M6 - 8,5 Nm**  
**M10 - 41 Nm**  
**M14 - 112 Nm**

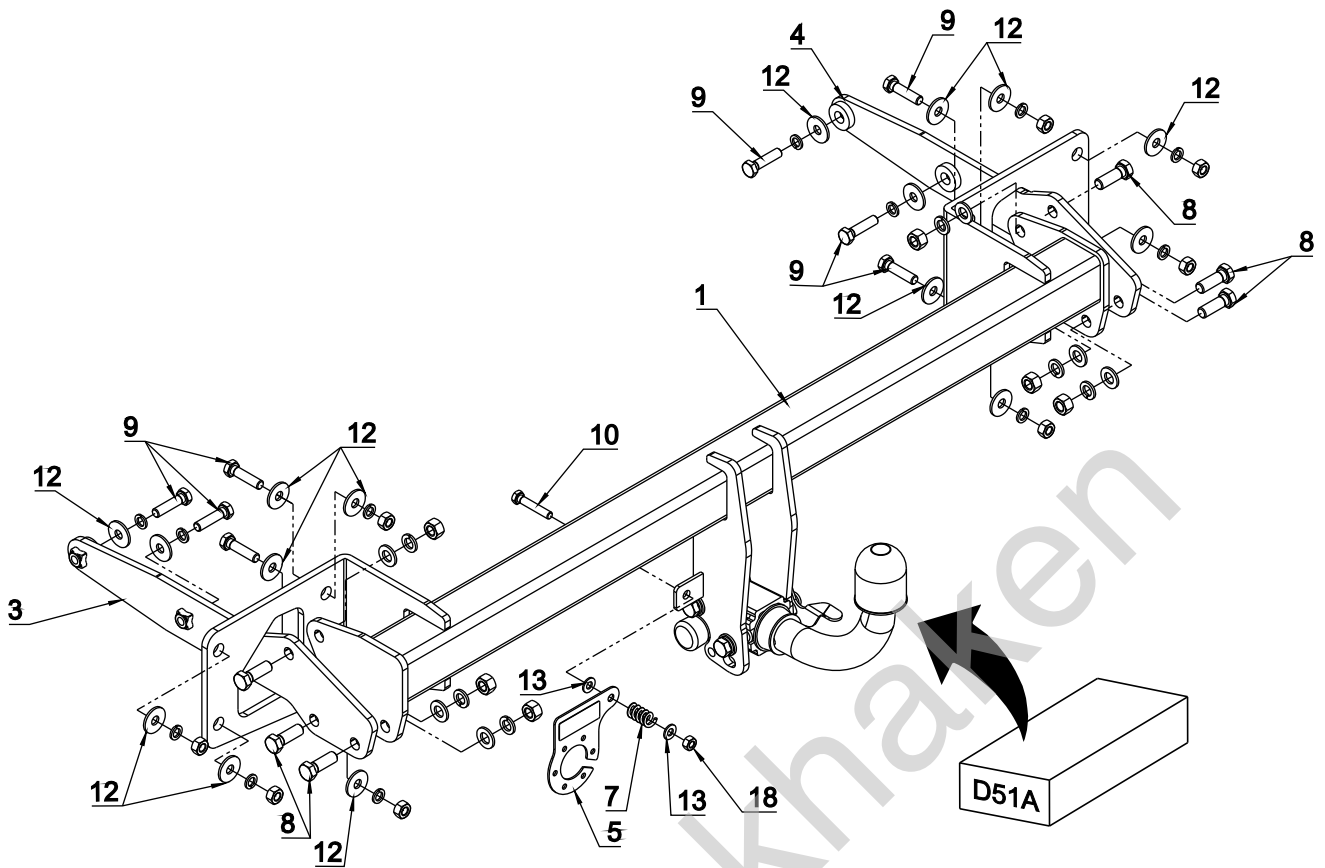
**M8 - 20 Nm**  
**M12 - 70 Nm**  
**M16 - 170 Nm**

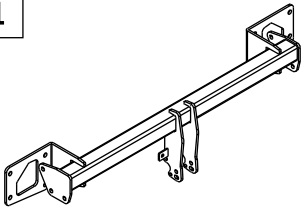

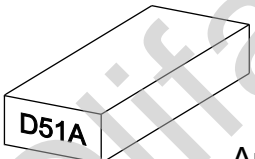

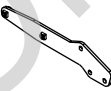

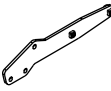

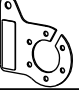
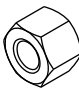


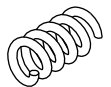


**0 km →**

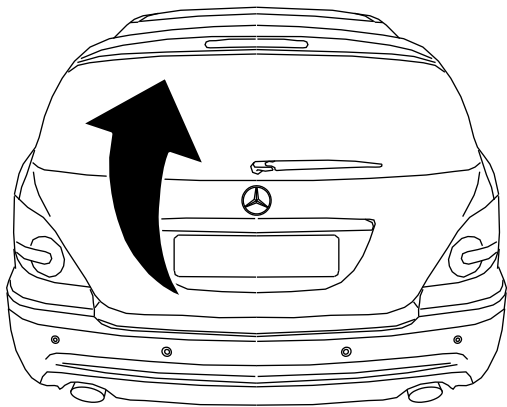


**1000 km**

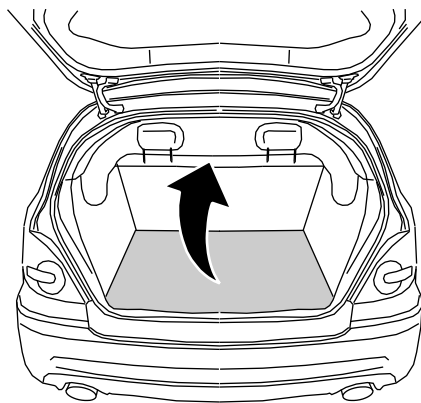


	x1		8	M12x35	x6
			9	M10x40	x8
	x1		10	M8x45	x1
			11	∅ 13	x6
	x1		12	∅ 30x∅10.5x2.5 10 (DIN 9021)	6
			13	∅ 8.3	x2
	x1		14	∅ 12.2	x6
			15	∅ 10.2	x12
	x1		16	M12	x6
			17	M10	x8
	x1		18	M8	x1
			7		
	x1				

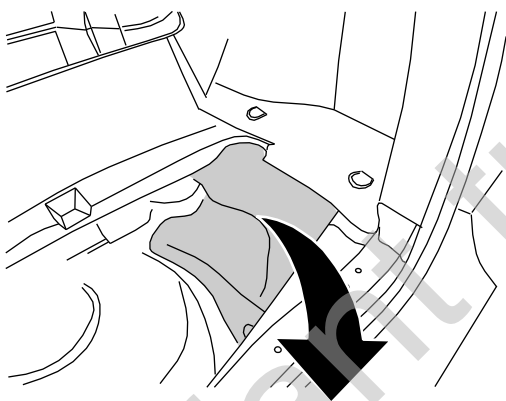
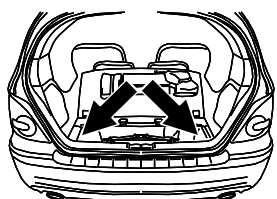
01



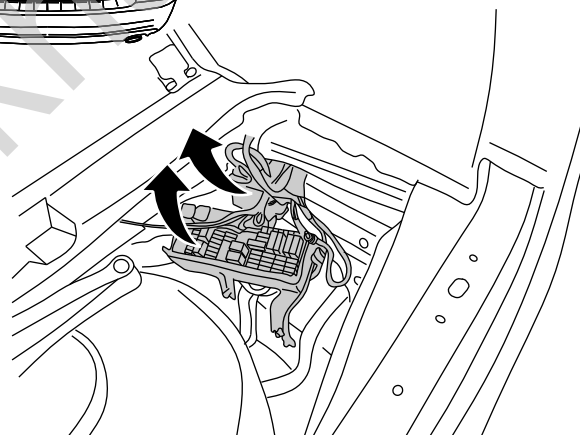
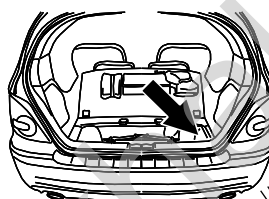
02



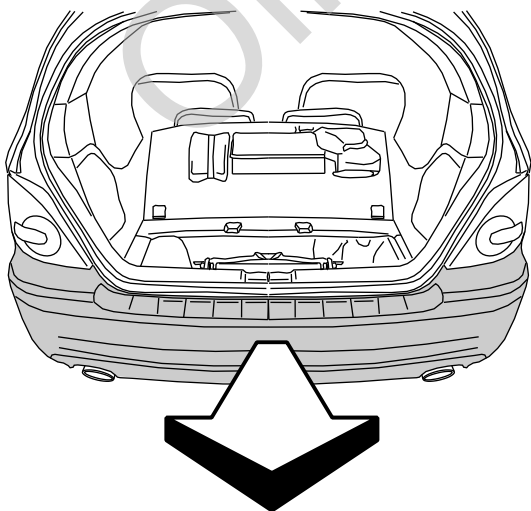
03



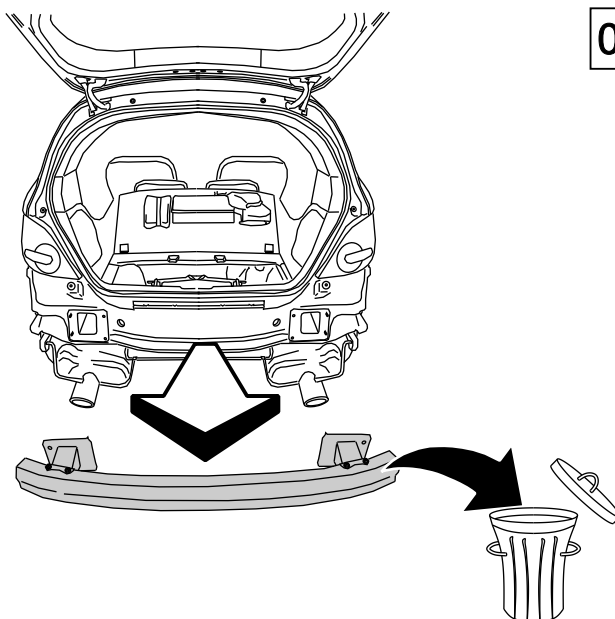
04

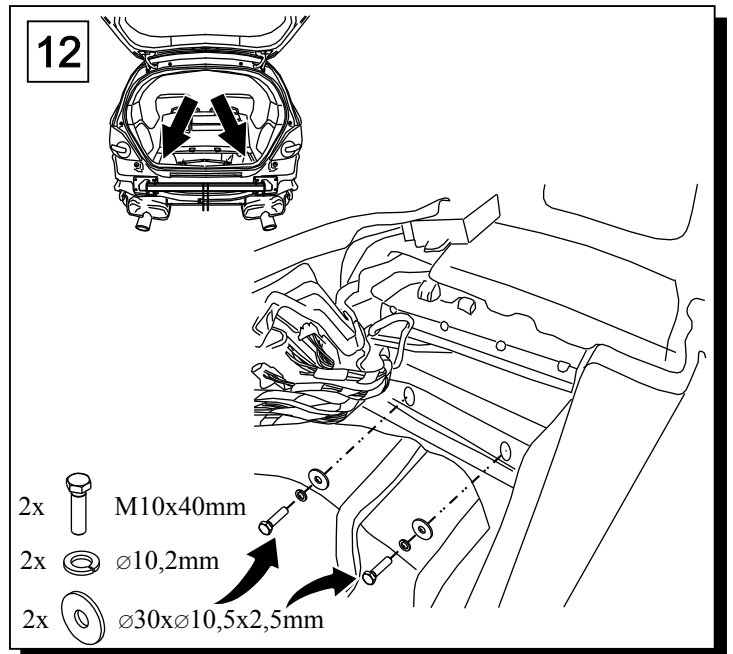
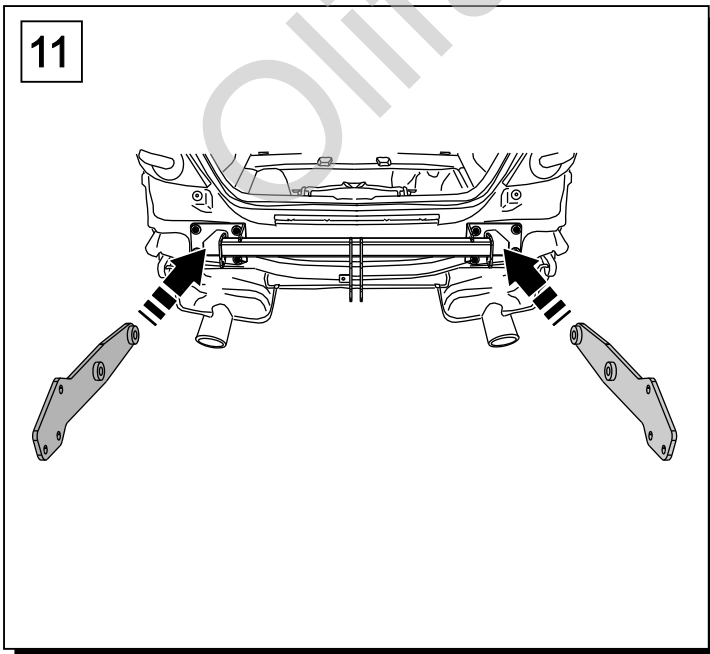
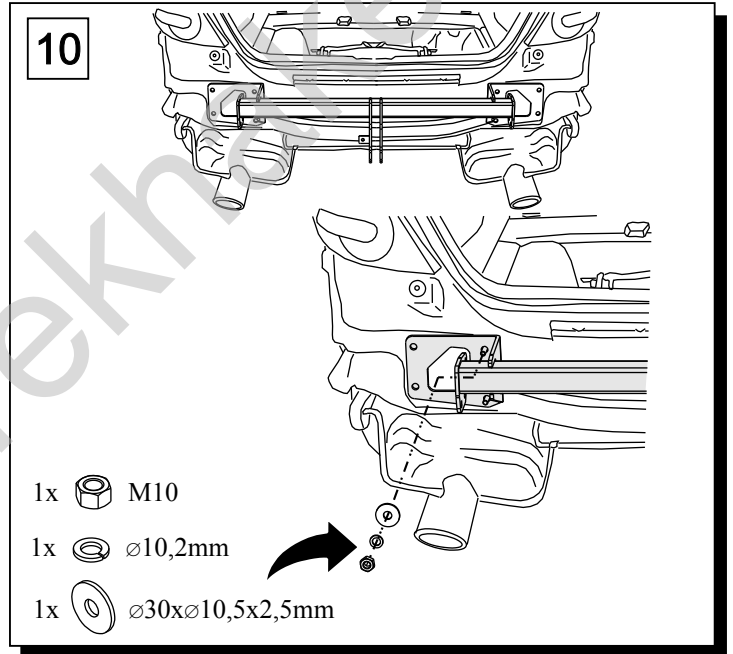
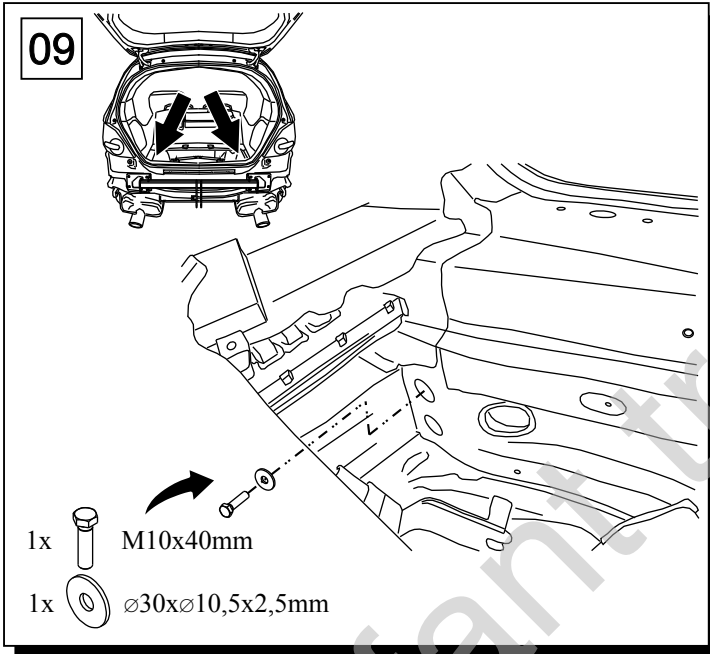
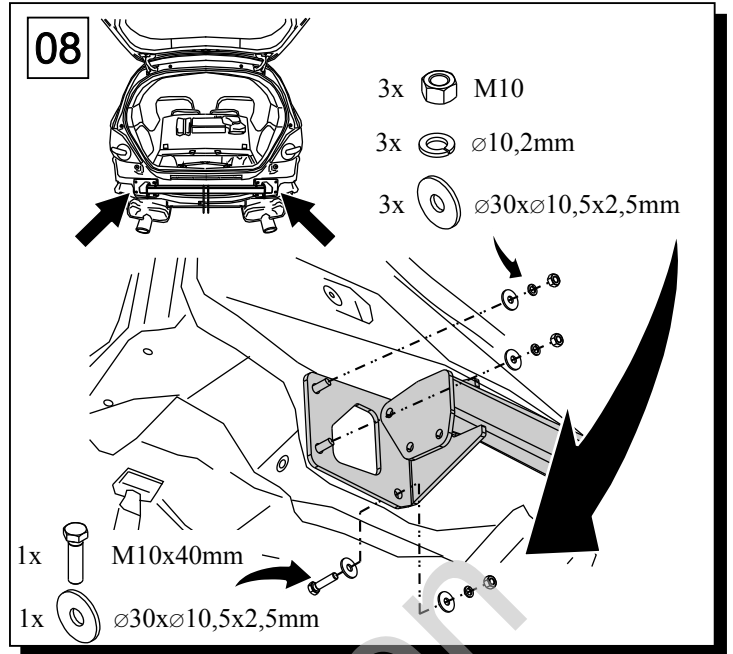
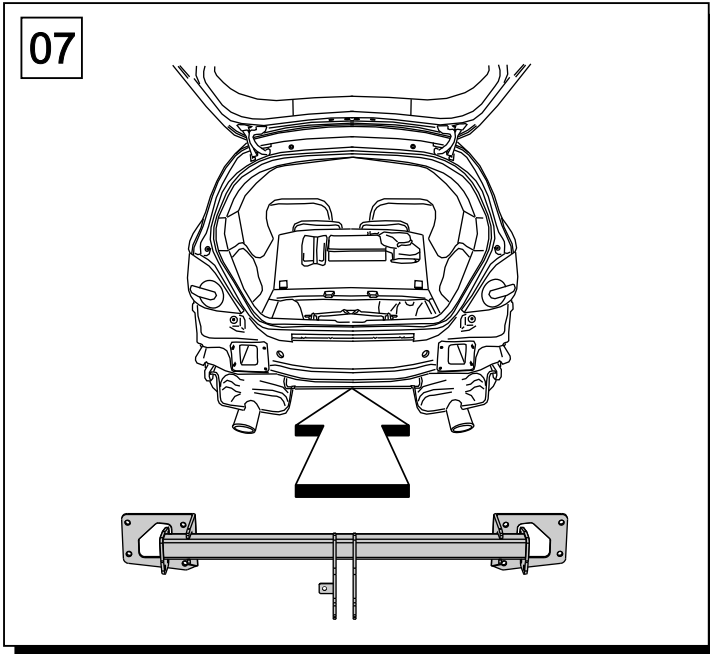


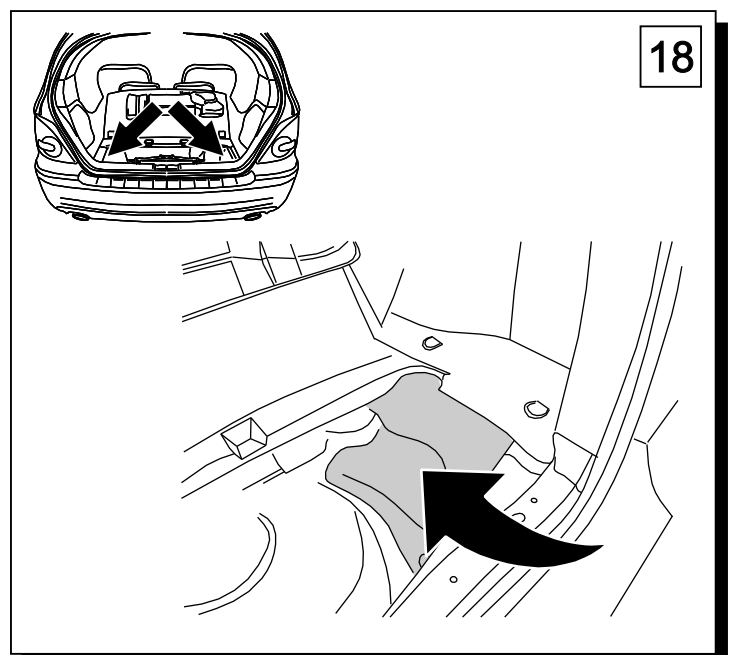
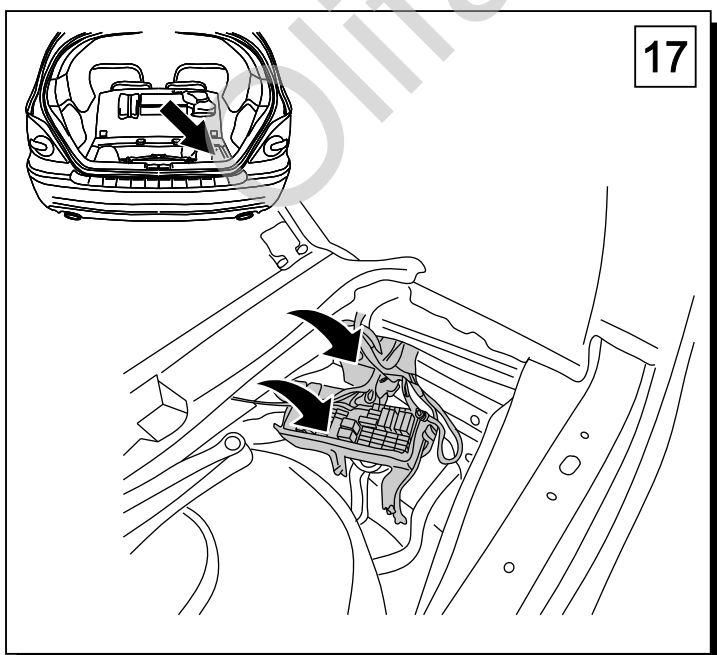
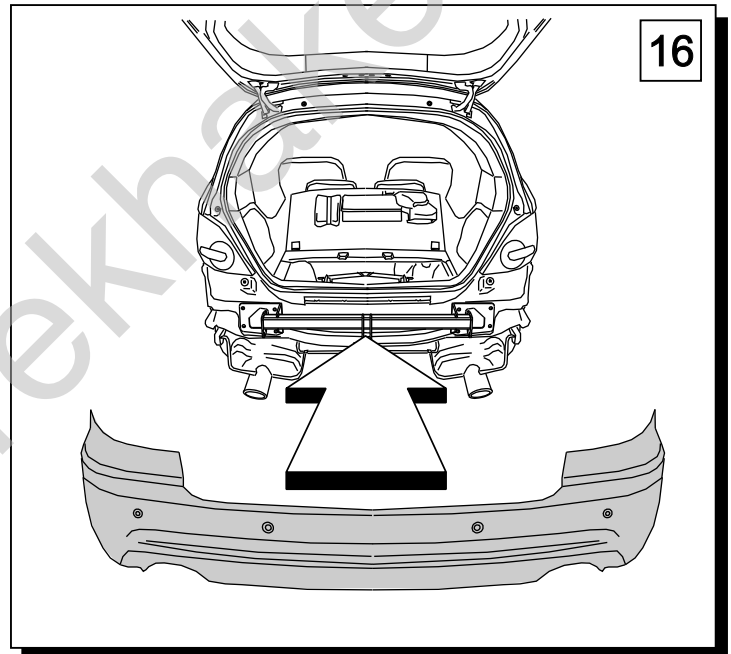
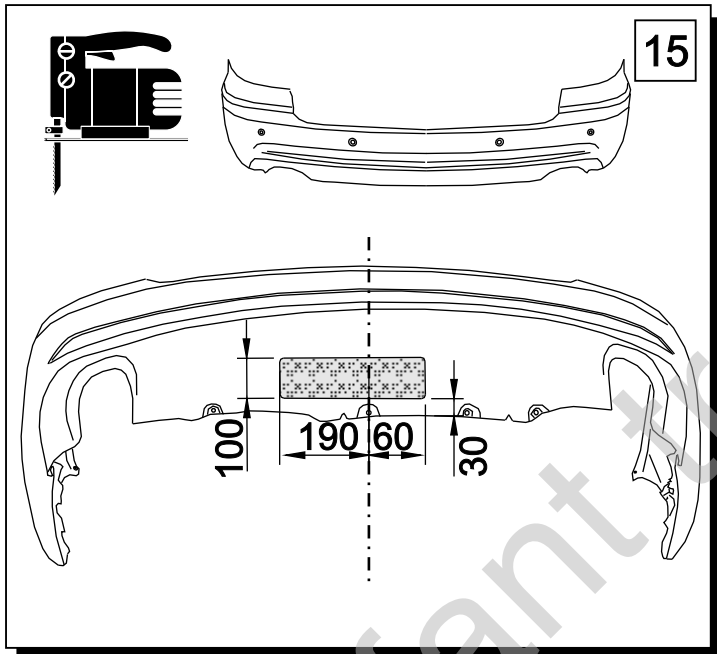
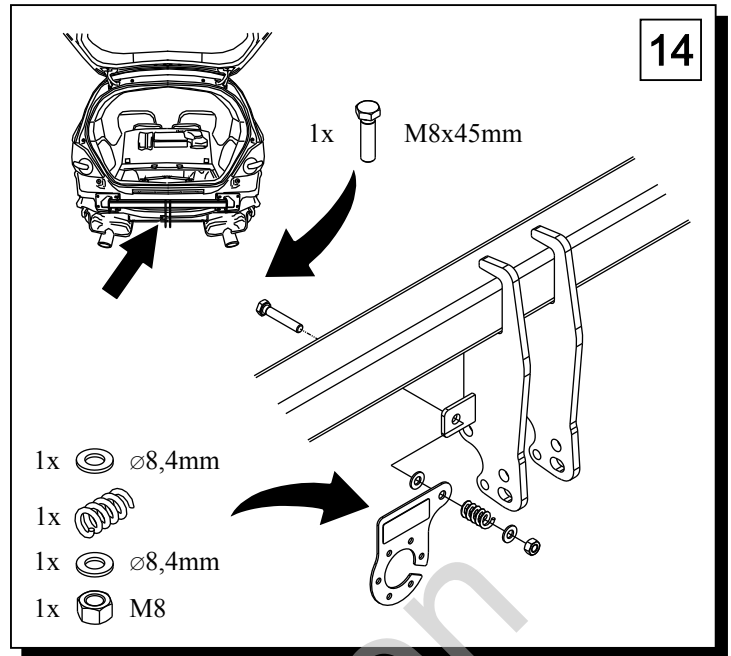
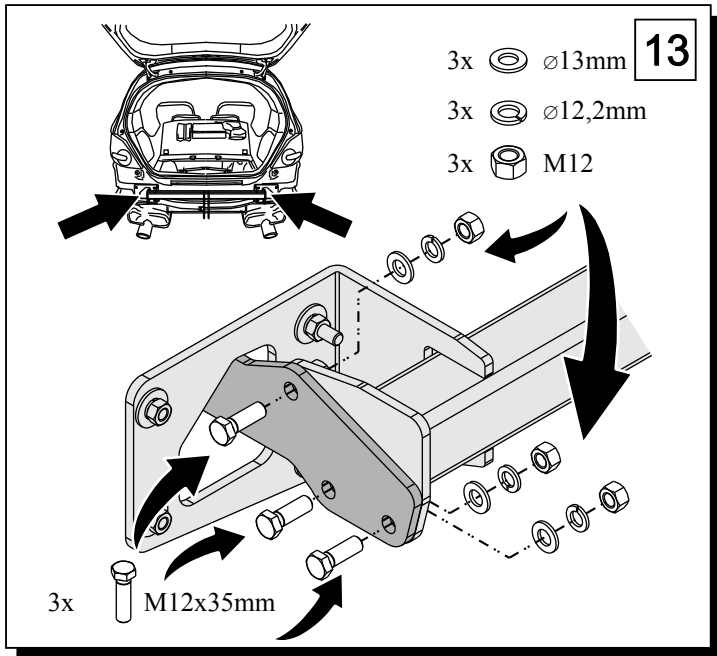
05



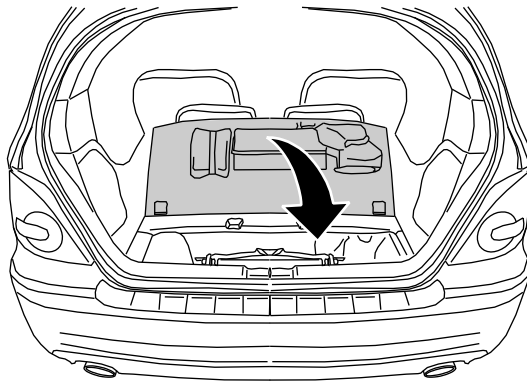
06



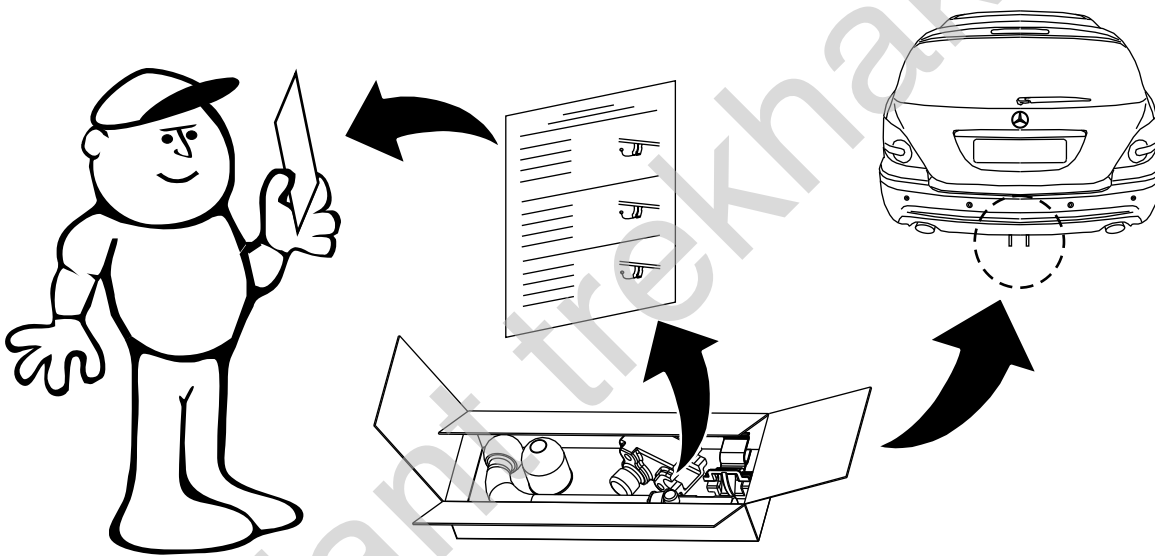




19



20



- |            |   |        |            |   |        |
|------------|---|--------|------------|---|--------|
| <b>M6</b>  | - | 11 Nm  | <b>M8</b>  | - | 25 Nm  |
| <b>M10</b> | - | 50 Nm  | <b>M12</b> | - | 87 Nm  |
| <b>M14</b> | - | 138 Nm | <b>M16</b> | - | 210 Nm |

0 km → 1000 km