

# AUTO-HAK Sp. z o.o.

ul. Słoneczna 16K 76-200 SŁUPSK  
POLAND

tel/fax +48 59 8 414 414; +48 59 8 414 413

e-mail: [office@autohak.com.pl](mailto:office@autohak.com.pl)

[www.autohak.com.pl](http://www.autohak.com.pl)



# AUTO-HAK



**MERCEDES ML (W166)**

~~6.3 AMG~~



11.2011 → 06.2015

**MERCEDES GLE (W166)**

Pakiet AMG

~~6.3 AMG~~



07.2015 → 09.2018

Cat. no:

**D50A**



2h



E20-55R-01 4149

**D**

17,16 kN



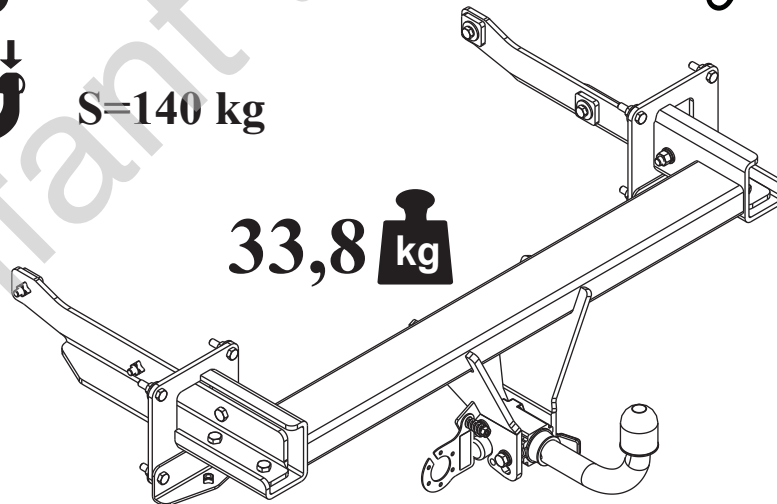
R=3500 kg



S=140 kg



**33,8 kg**



M6 - 11 Nm  
M10 - 50 Nm  
M14 - 138 Nm

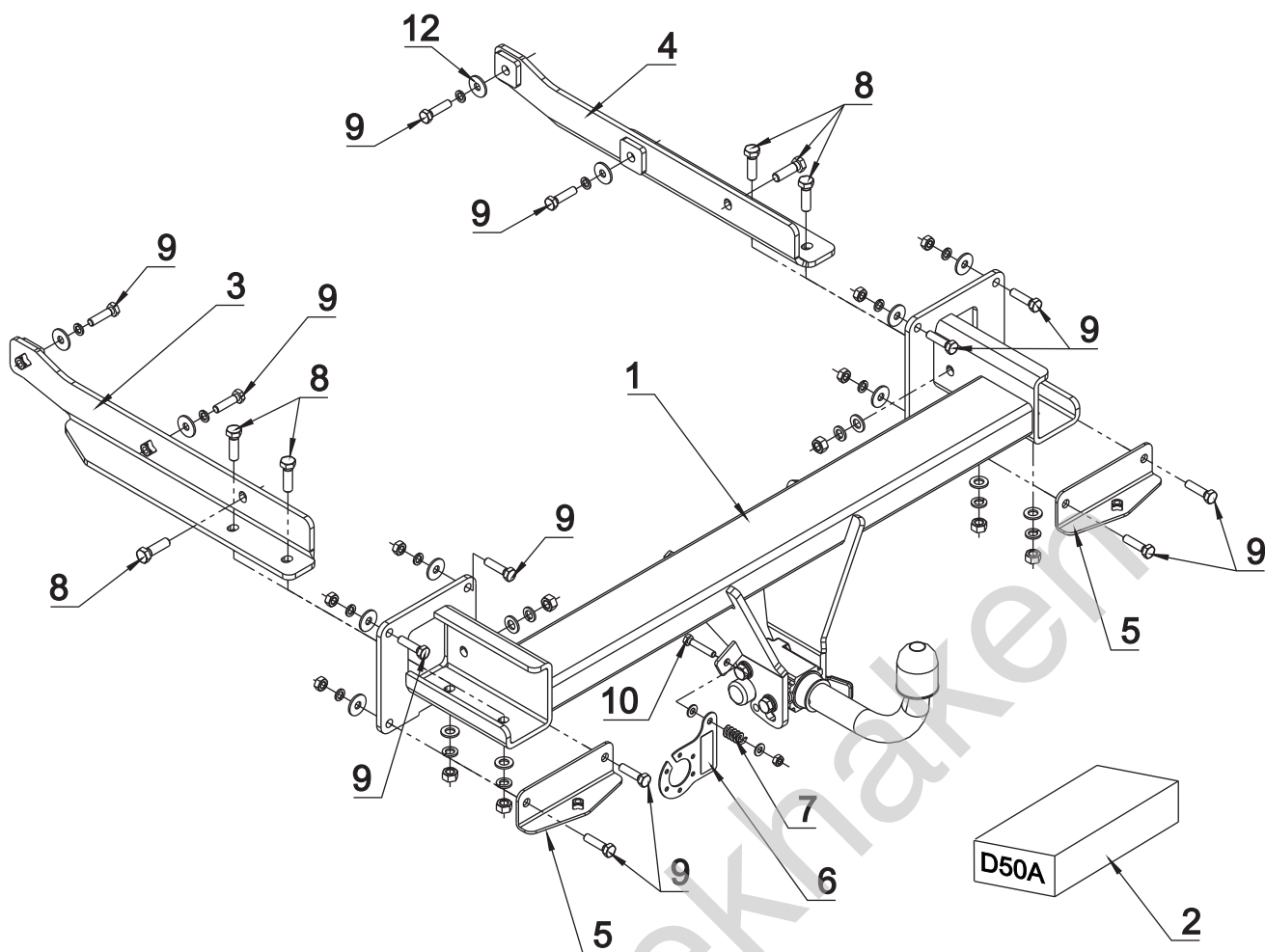
M8 - 25 Nm  
M12 - 87 Nm  
M16 - 210 Nm

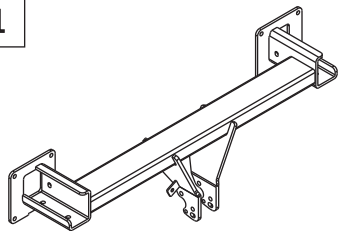

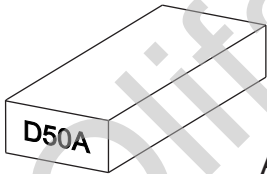

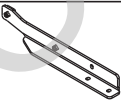

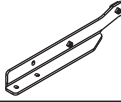

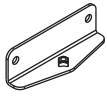
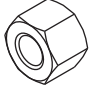

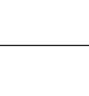
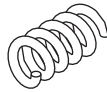


0 km →



1000 km



	x1		8	M12x40	x6
			9	M10x40	x12
	x1		10	M8x45	x1
			11	∅ 13	x6
	x1		12	∅ 30x∅10.5x2.5 10 DIN 9021	12
			13	∅ 8.5	x2
	x1		14	∅ 12.2	x6
			15	∅ 10.2	x12
	x2		16	M12	x6
			17	M10	x8
	x1		18	M8	x1
			7		
	x1				

