

PPUH AUTO-HAK Sp.J.

Henryk & Zbigniew Nejman
ul. Słoneczna 16K 76-200 SŁUPSK
POLAND

tel/fax +48 059 8-414-414; 8-414-413

e-mail: office@autohak.com.pl

www.autohak.com.pl



AUTO-HAK



MERCEDES GL

(X164), ~~AMG~~

09.2006 → 10.2012

(X166), ~~AMG Pakiet/AMG~~

11.2012 →

Cat. no:

D49A



E20-55R-01 4146



17,16 kN



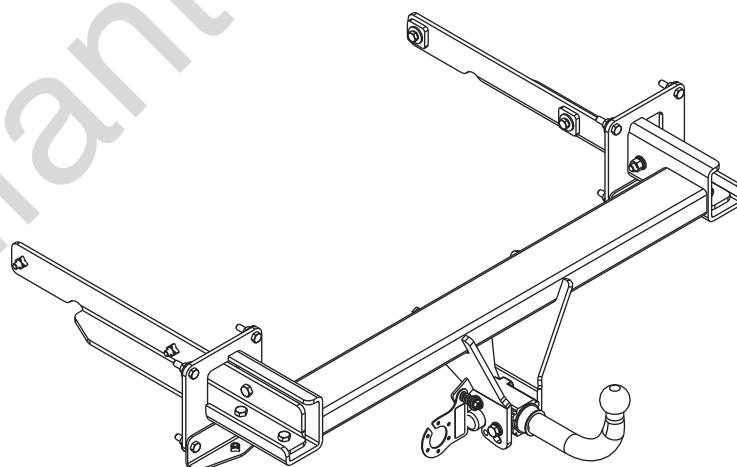
R=3500 kg



S=135 kg



2h



M6 - 11 Nm
M10 - 50 Nm
M14 - 138 Nm

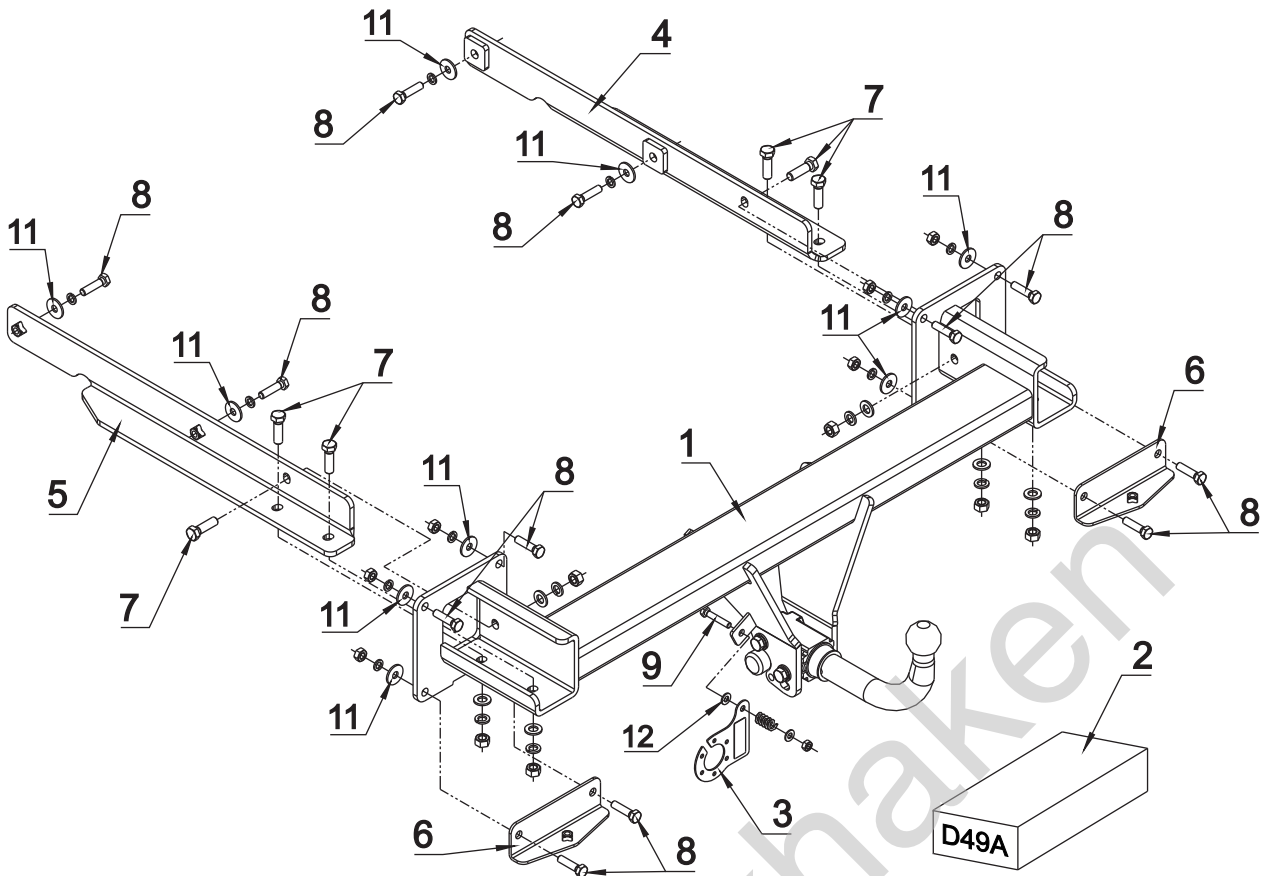
M8 - 25 Nm
M12 - 87 Nm
M16 - 210 Nm

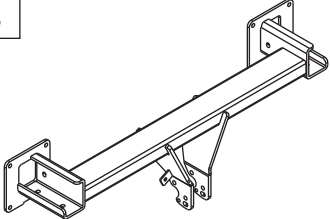

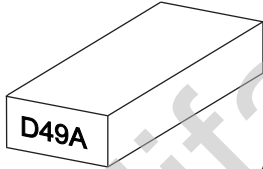



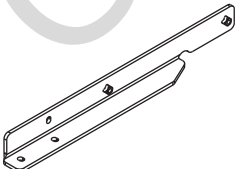

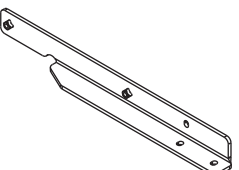






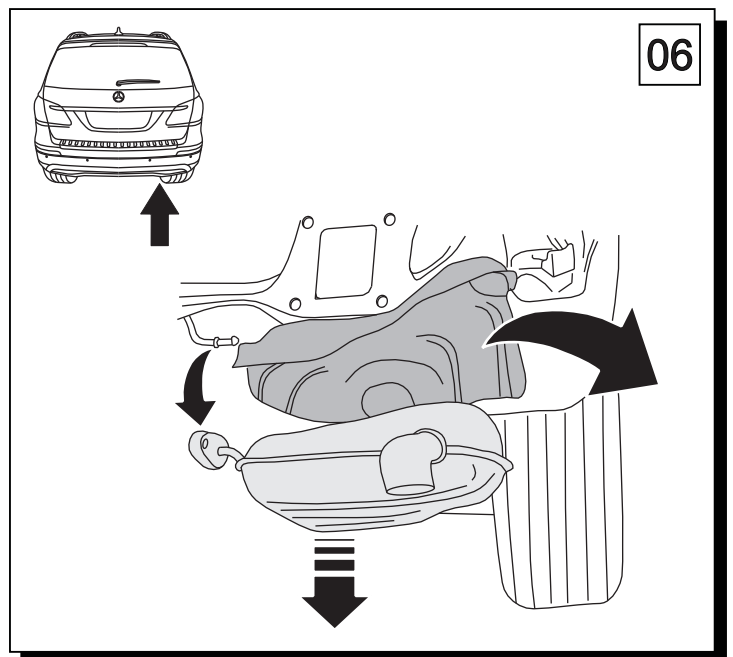
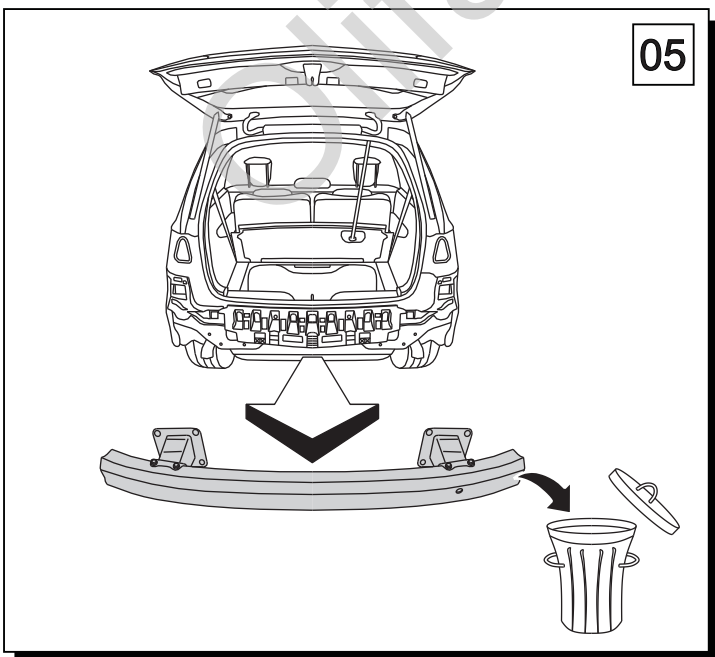
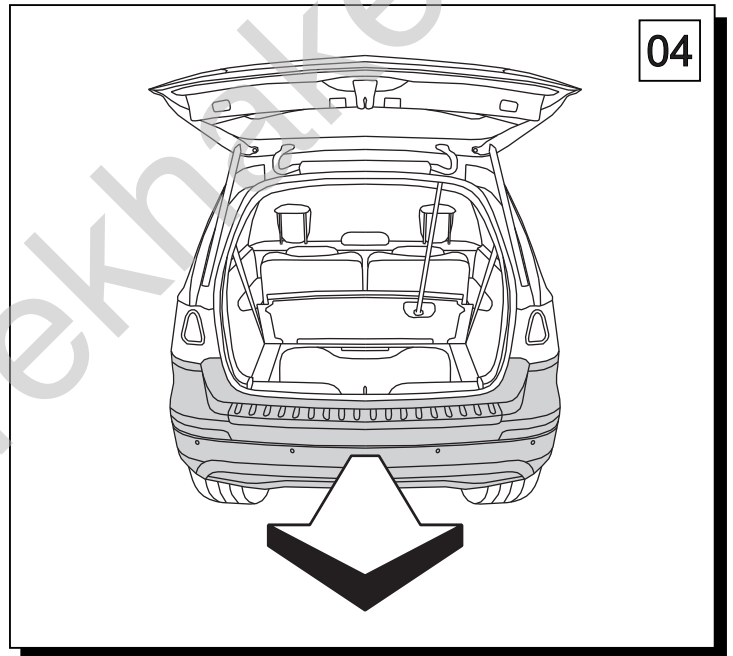
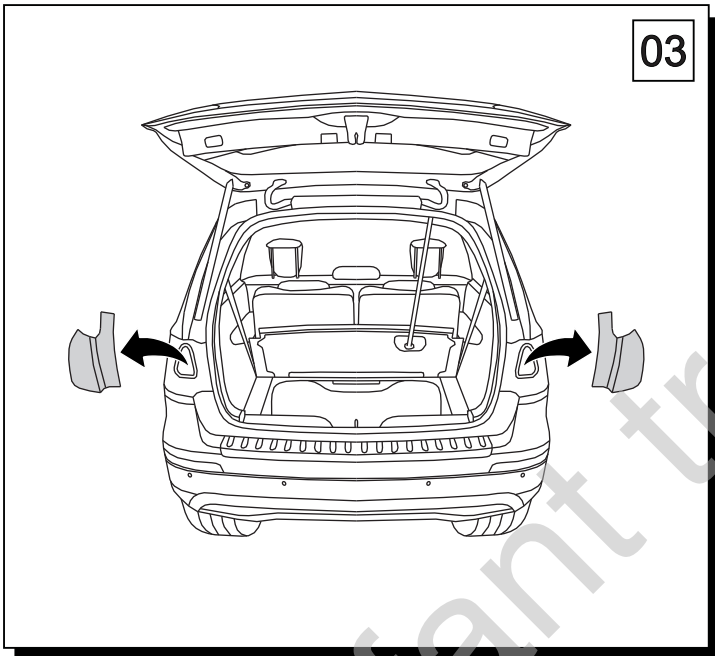
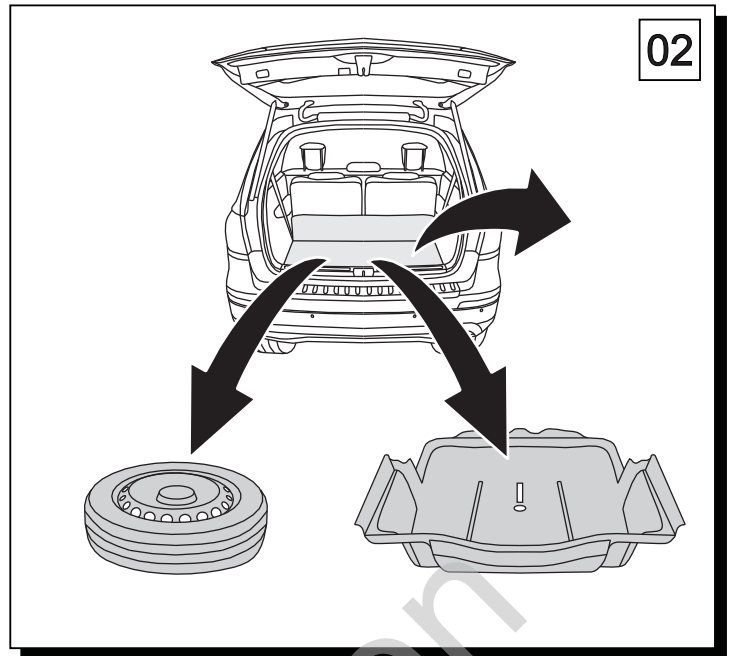
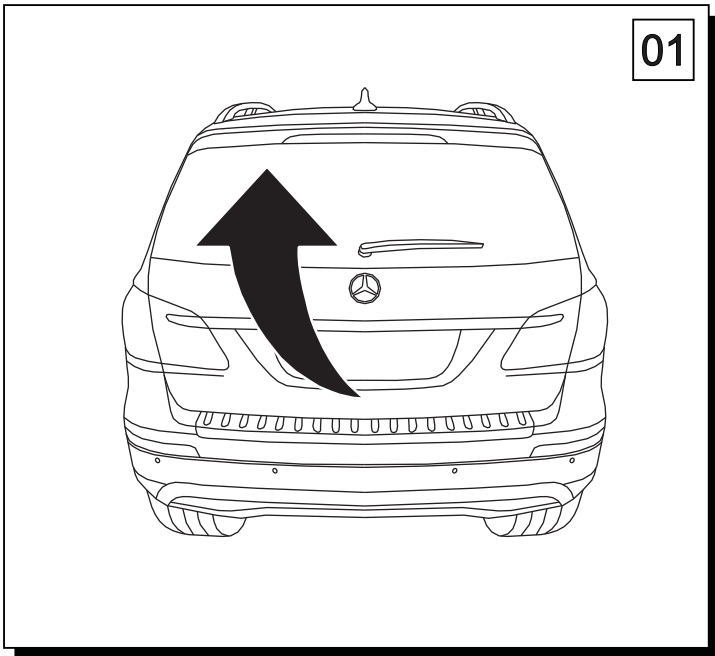
0 km →

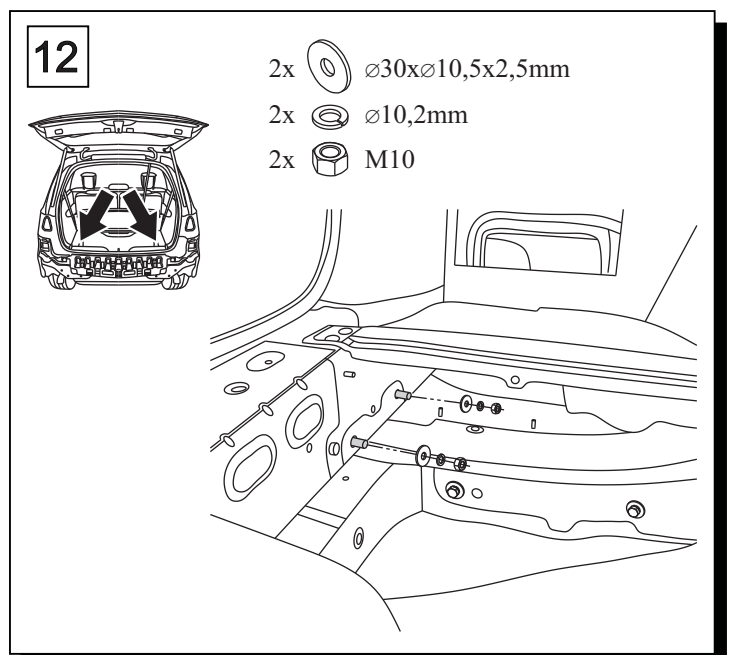
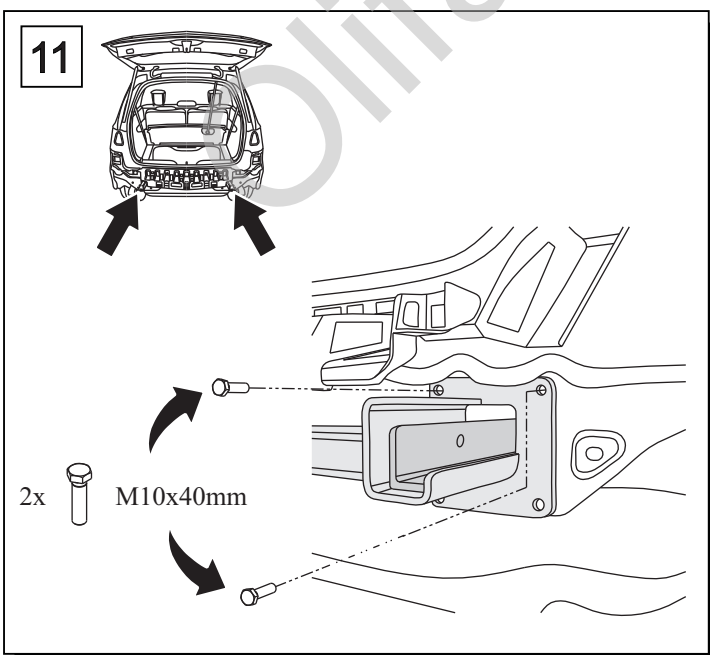
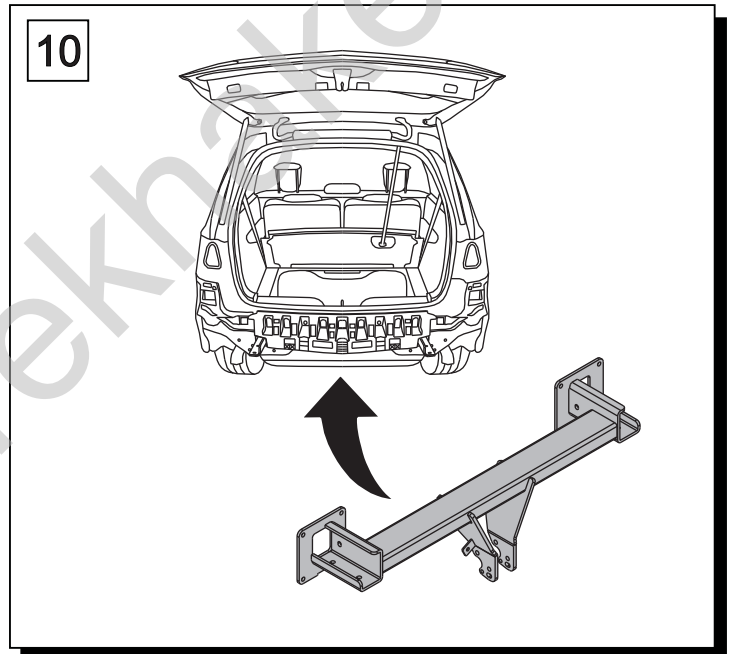
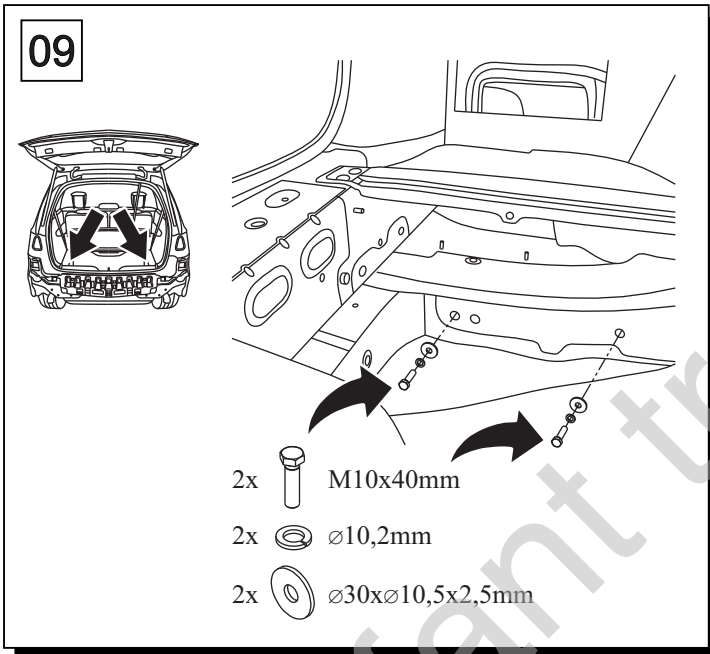
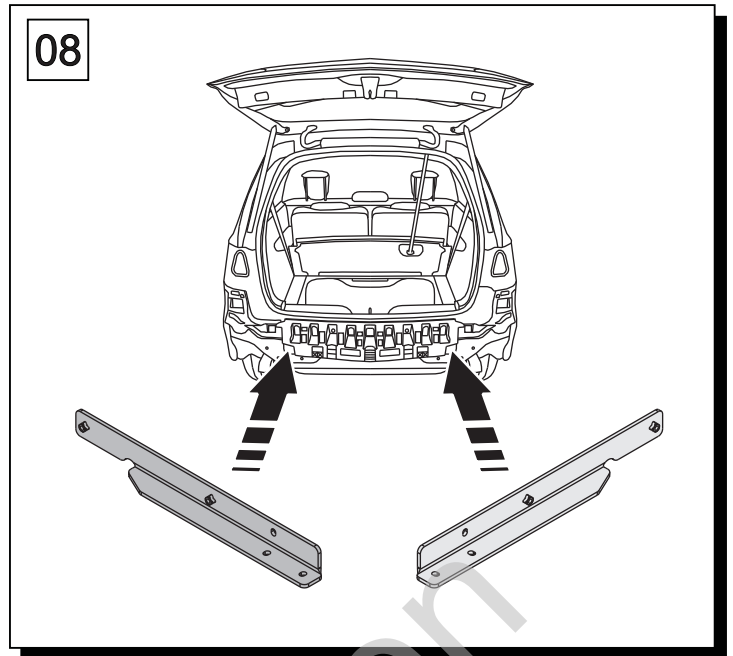
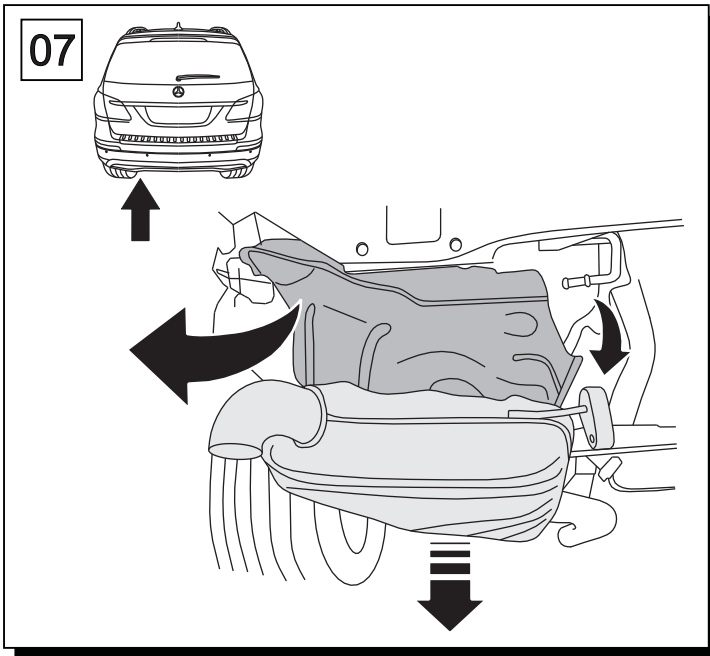


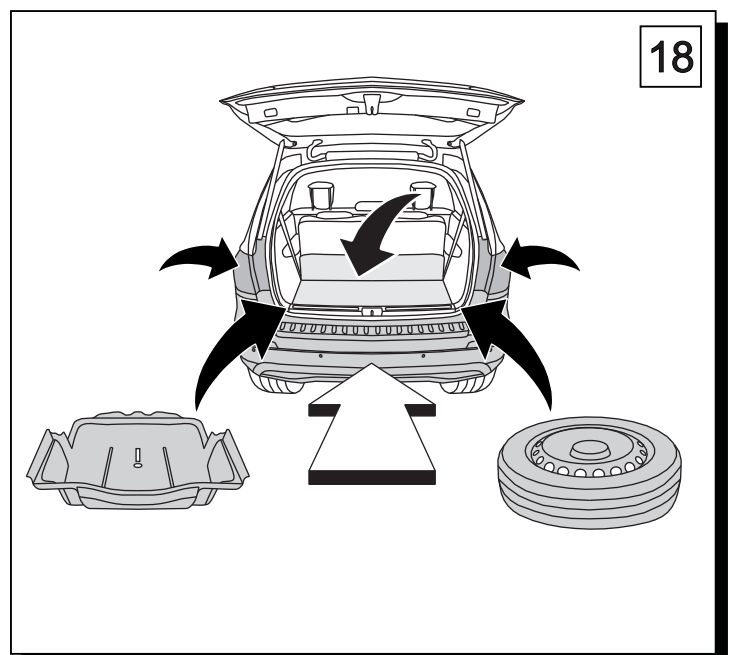
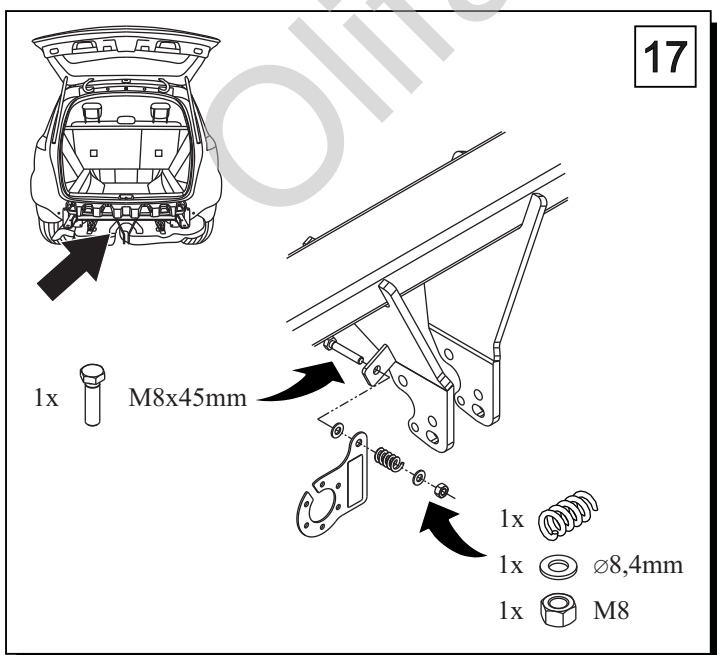
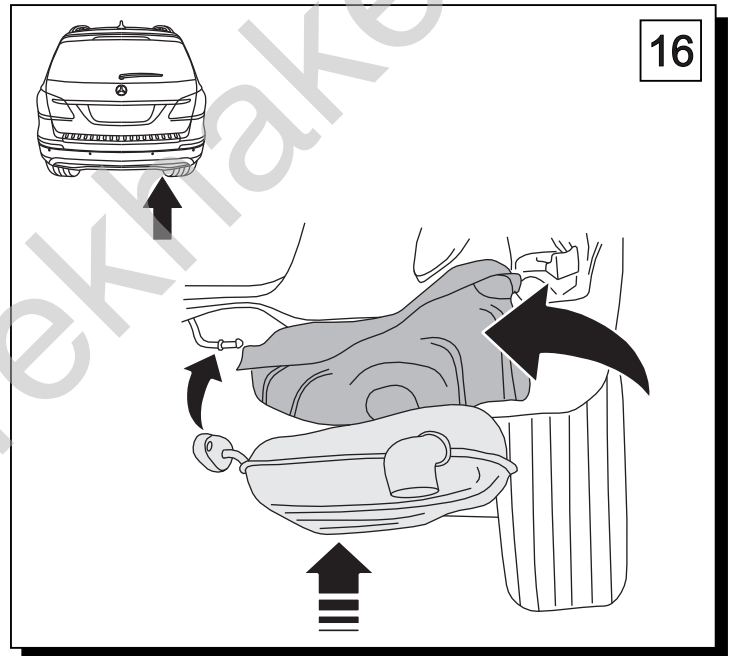
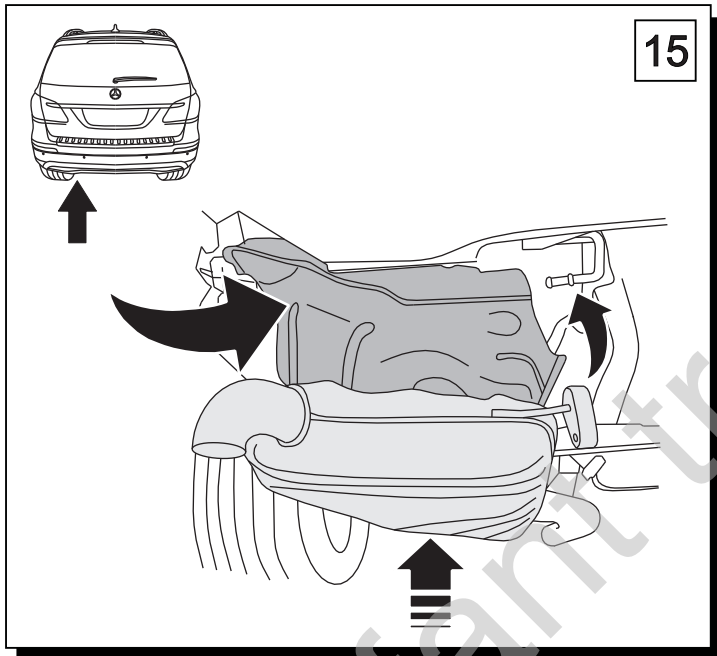
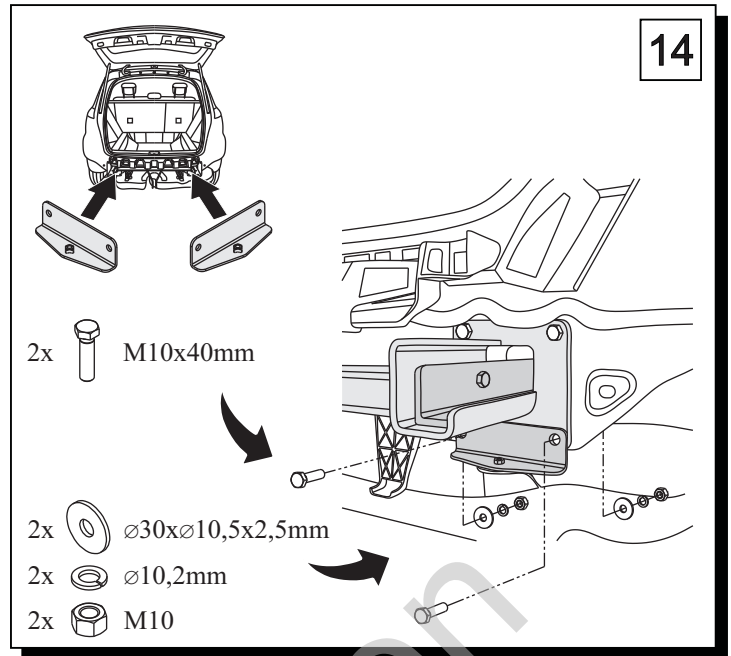
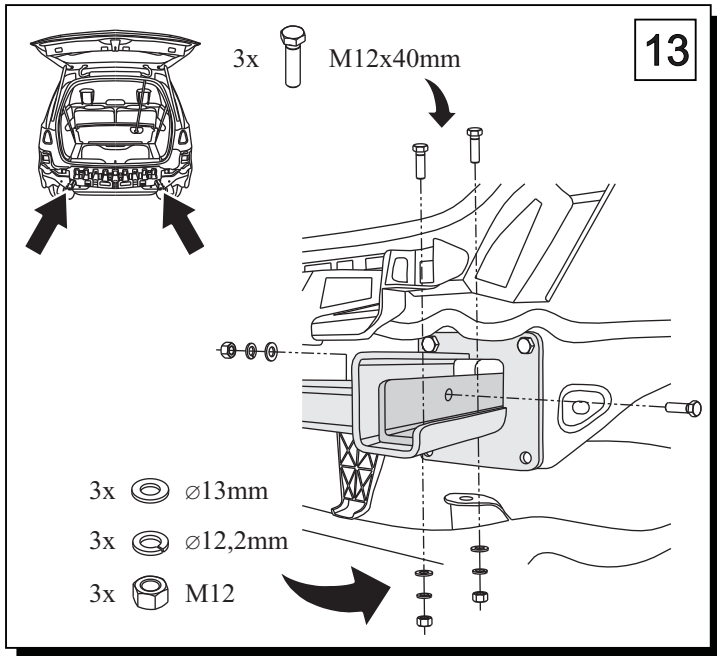
1000 km

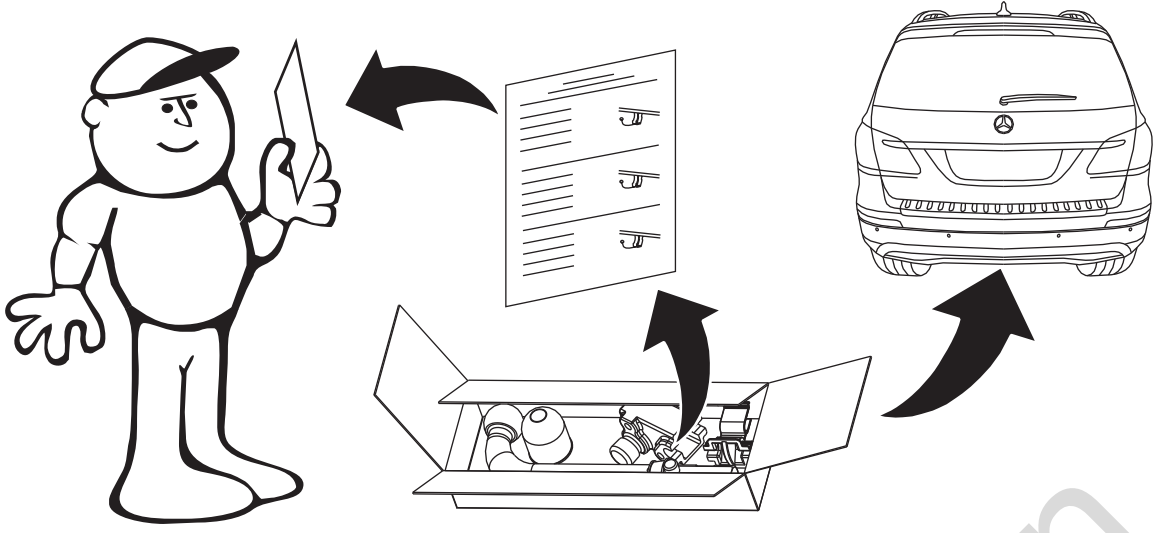


1		x 1		7	M12x40	x 6
				8	M10x40	x 12
2		x 1		9	M8x45	x 1
				10	ø 13	x 6
3		x 1		11	ø 30xø10.5x2.5 10 DIN 9021	12
				12	ø 8.5	x 2
4		x 1		13	ø 12.2	x 6
				14	ø 10.2	x 12
5		x 1		15	M12	x 6
				16	M10	x 8
6		x 2		17	M8	x 1
				18		x 1









Olifant trekhaken