

PPUH AUTO-HAK Sp.J.

Henryk i Zbigniew Nejman
ul. Słoneczna 16K 76-200 SŁUPSK
POLAND

tel/fax +48 59 8 414 414; +48 59 8 414 413

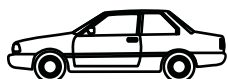
e-mail: office@autohak.com.pl

www.autohak.com.pl



AUTO-HAK

MERCEDES C-KLASA



(W205), 4D, ~~AMG~~
~~HYBRYD PLUG-IN~~

Cat. no:

D48A

⌚ 03.2014 → 06.2018
07.2018 →



2h

E20

E20-55R-01 4129

D

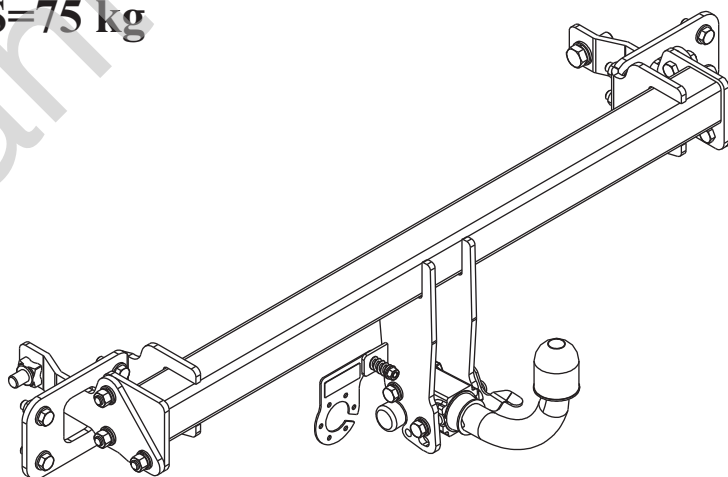
10,55 kN



R=2150 kg



S=75 kg



M6 - 11 Nm
M10 - 50 Nm
M14 - 138 Nm

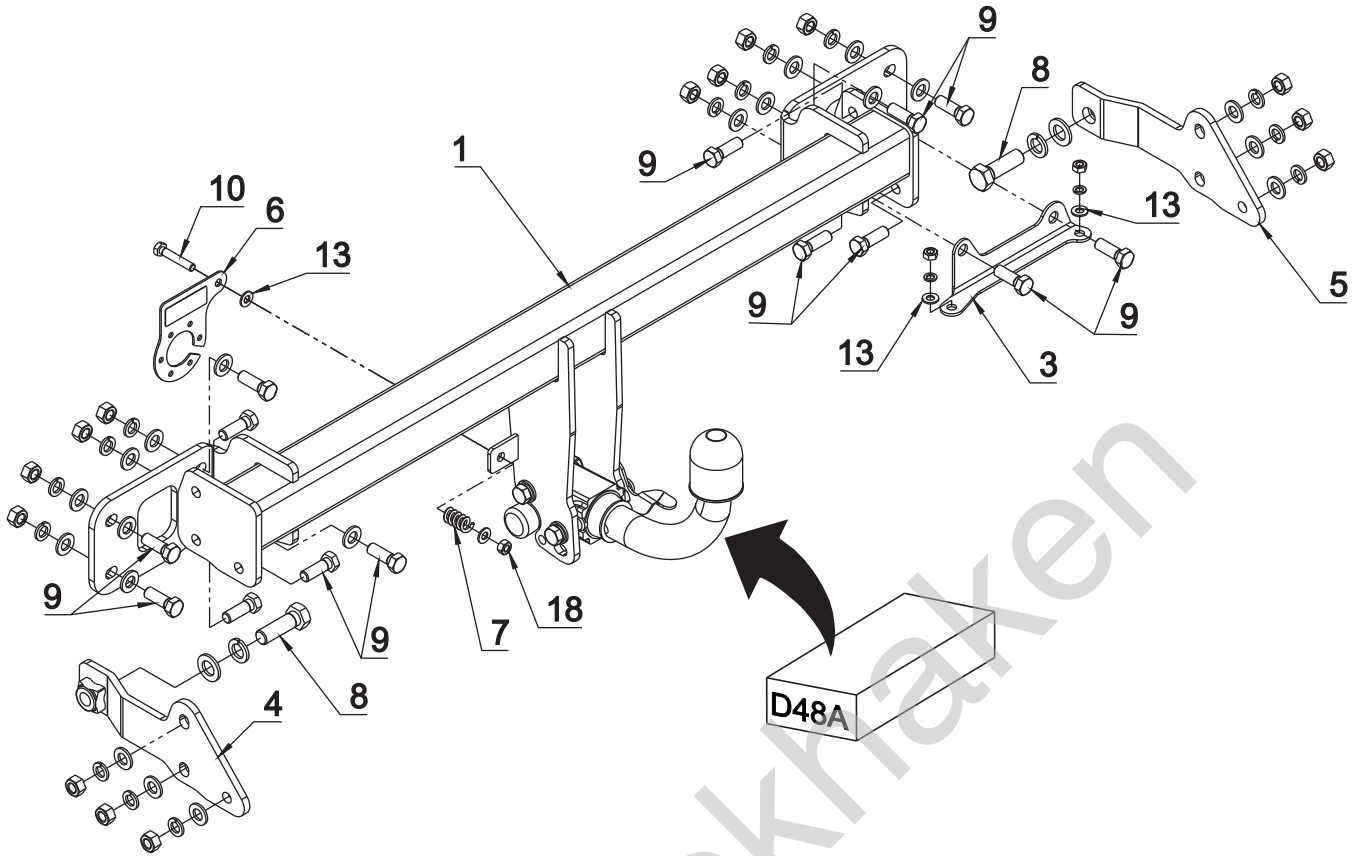
M8 - 25 Nm
M12 - 87 Nm
M16 - 210 Nm

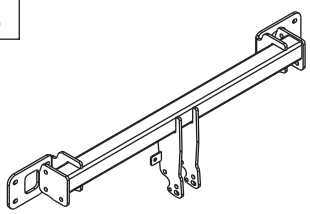


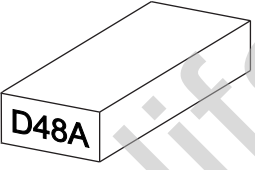

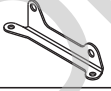
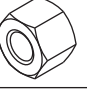
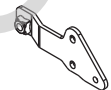

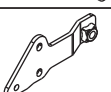




0 km →

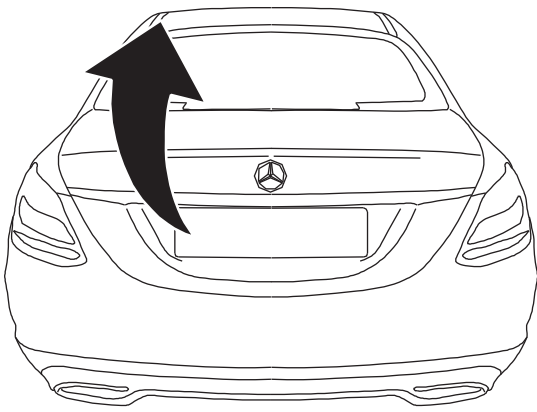


1000 km

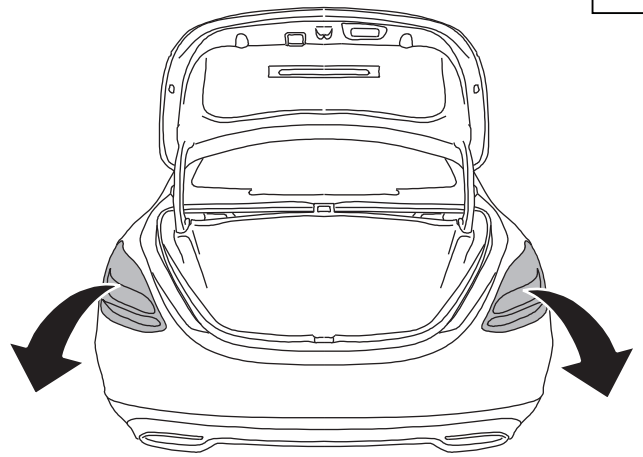


	x1		8	M16x50	x2
				9	M12x35
 Art.nr-Z100 Art.nr-KL1D48A	x1		10	M8x45	x1
			11	∅ 17	x2
			12	∅ 13	x20
			13	∅ 8.5	x4
			14	∅ 16.3	x2
			15	∅ 12.2	x14
	x1		16	∅ 8.2	x2
			17	M12	x14
	x1		18	M8	x3
				x1	
	x1				
	x1				

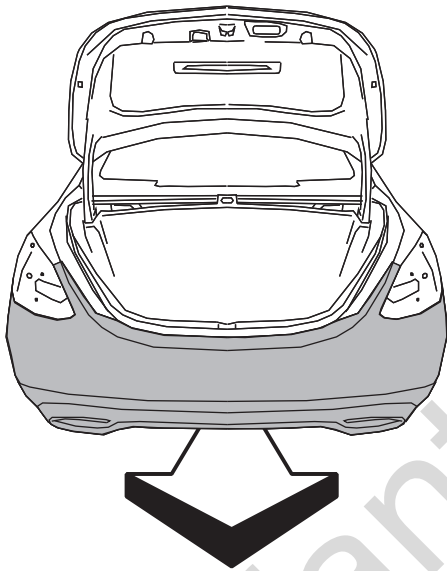
01



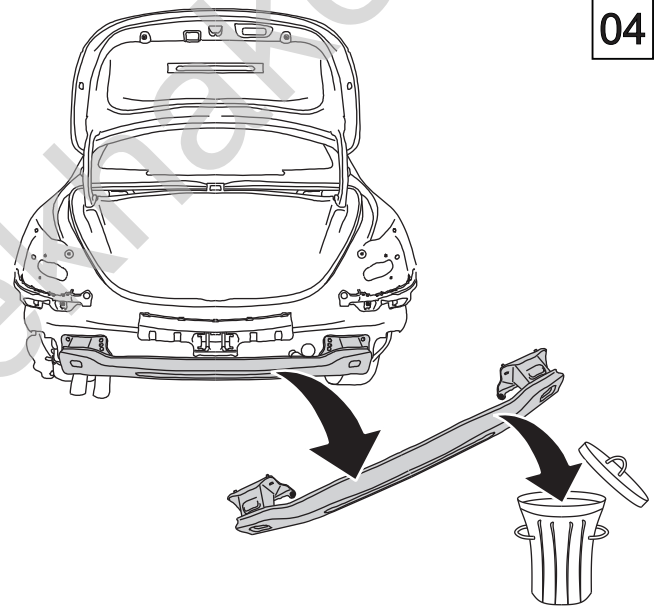
02



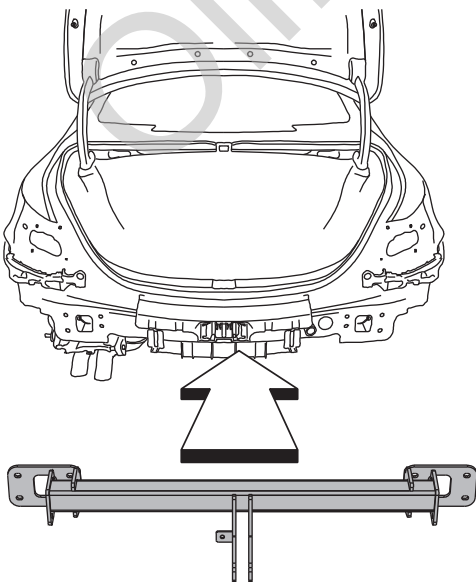
03



04



05



06

