

# PPUH AUTO-HAK Sp.J.

Henryk i Zbigniew Nejman  
ul. Słoneczna 16K 76-200 SŁUPSK  
POLAND

tel/fax +48 59 8 414 414; +48 59 8 414 413

e-mail: [office@autohak.com.pl](mailto:office@autohak.com.pl)

[www.autohak.com.pl](http://www.autohak.com.pl)



# AUTO-HAK

**MERCEDES A KLASA**  
5D (W176), 4-MATIC, ~~AMG, URBAN PACKAGE~~  
09.2012 → 04.2018

Cat. no:

**D45A**

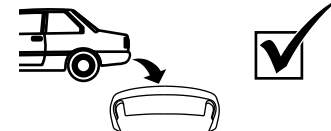
**MERCEDES B KLASA**  
5D( W246), ~~AMG, URBAN PACKAGE~~  
11.2011 → 01.2019

**E20** E20-55R-01 3731

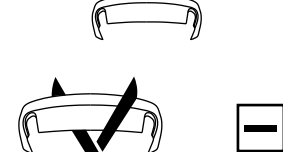


2h

**D** 9,35 kN



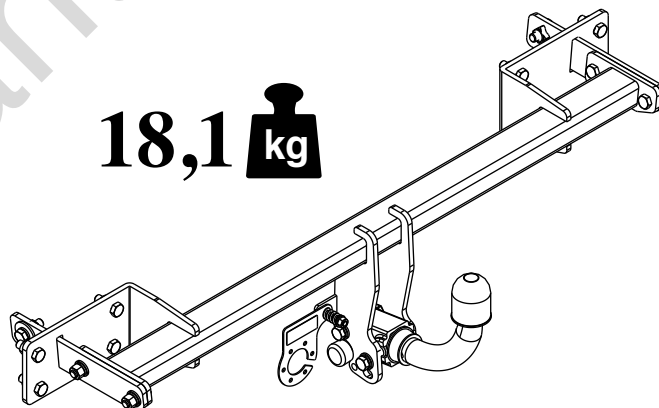
**kg** R=1600 kg



**S=100 kg**

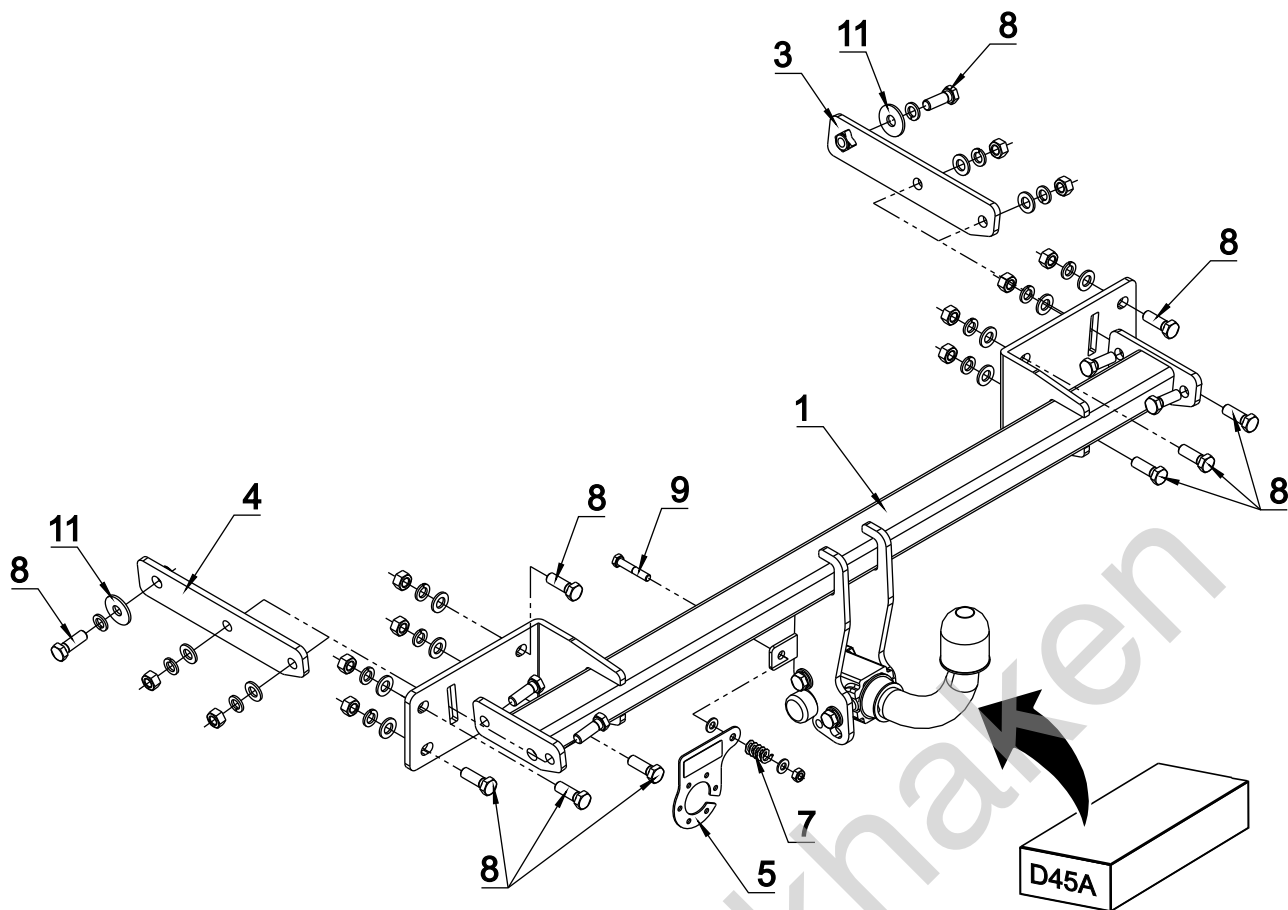


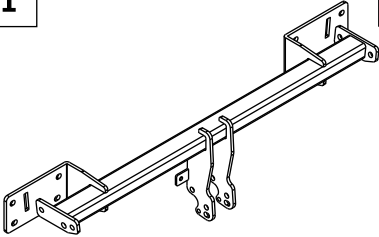

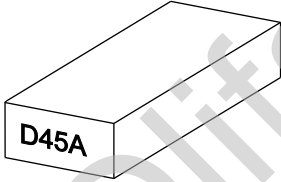

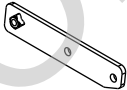

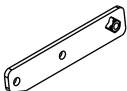
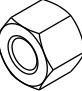


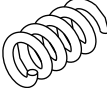
**18,1 kg**



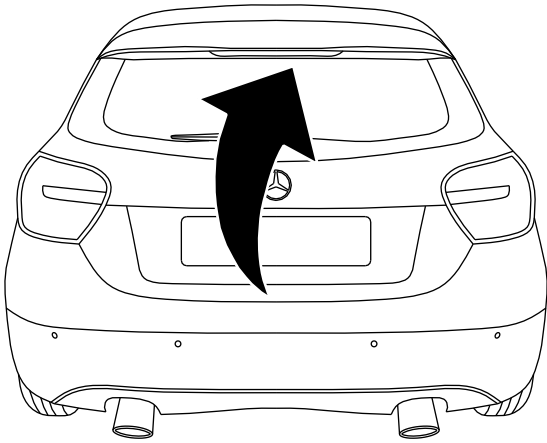
śruba	Nm	M6	M8	M10	M12	M14	M16
klasa 8.8		9,9	24	48	83	132	200
klasa 10.9		14	34	67	117	185	285

0 km → 1000 km

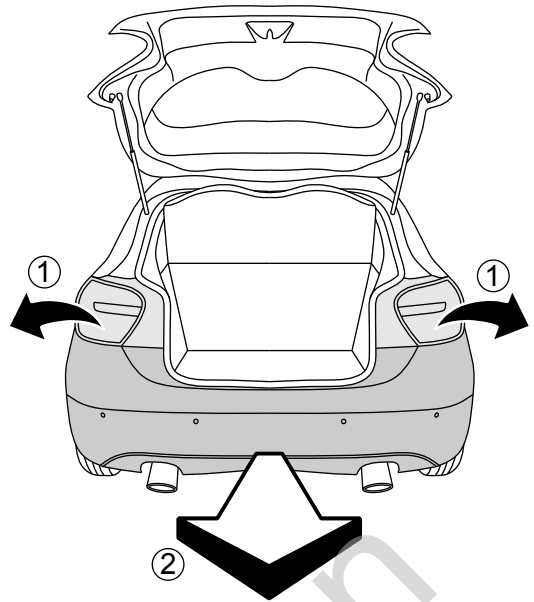


1		x 1		8	M 12x35	x 14
				9	M 8x45	x 1
2		x 1		10	∅ 13	x 12
				11	∅ 37x∅13x3	2
3		x 1		12	∅ 8.4	x 2
				13	∅ 12.2	x 14
4		x 1		14	M 12	x 12
				15	M 8	x 1
5		x 1	Art.nr-BL1D45A			
6		x 1				
7		x 1				

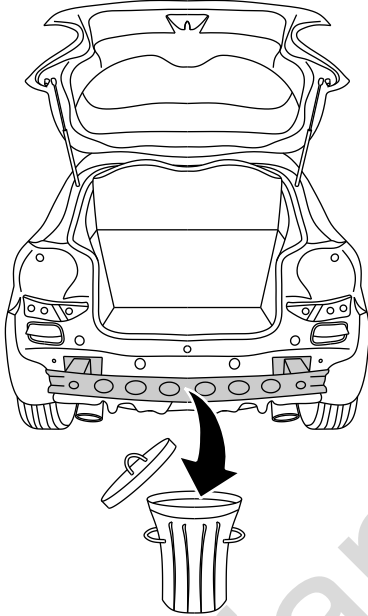
01



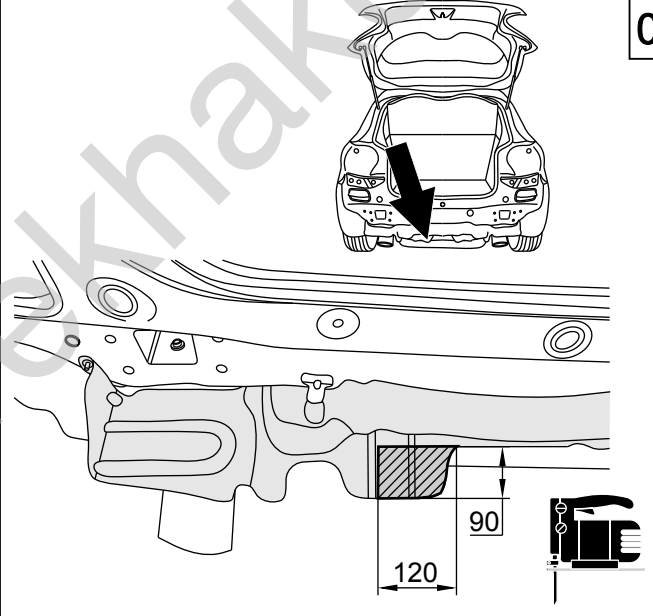
02



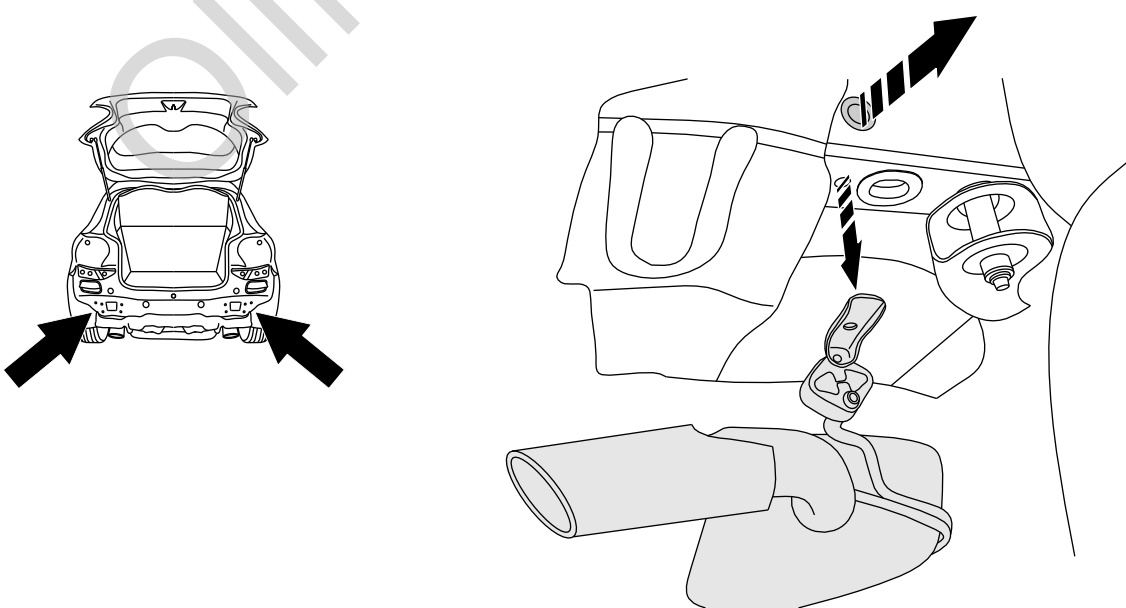
03



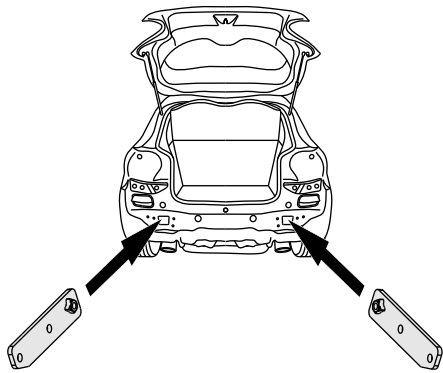
04






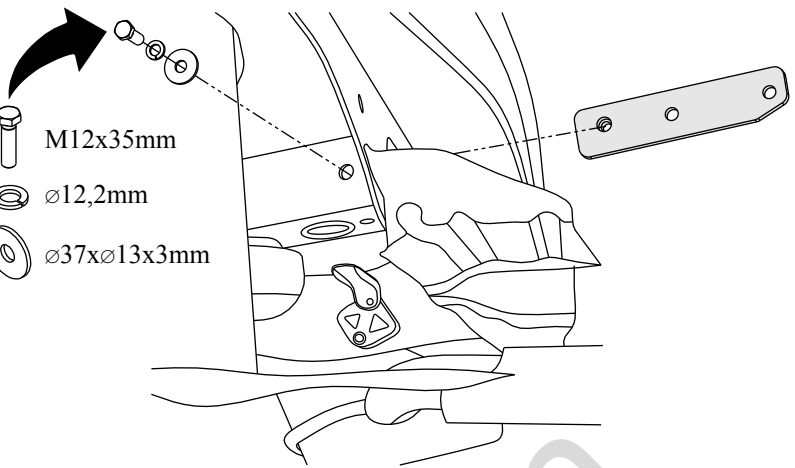
05



06




- 1x  M12x35mm
- 1x  ø12,2mm
- 1x  ø37xø13x3mm



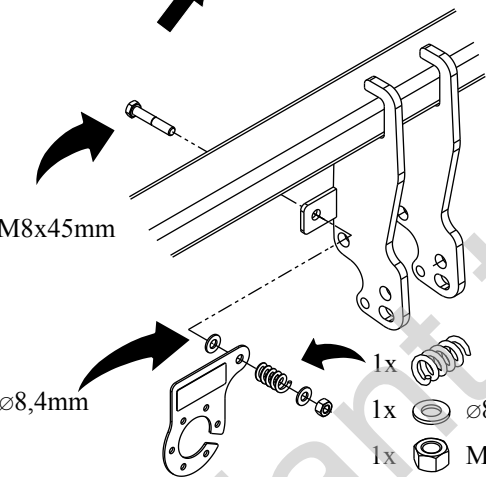
07



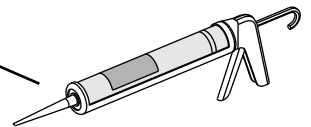
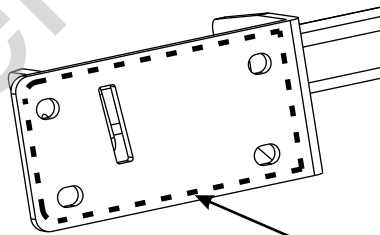
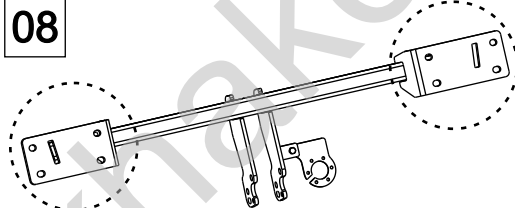
- 1x  M8x45mm

- 1x  ø8,4mm

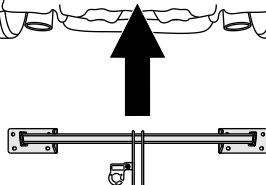
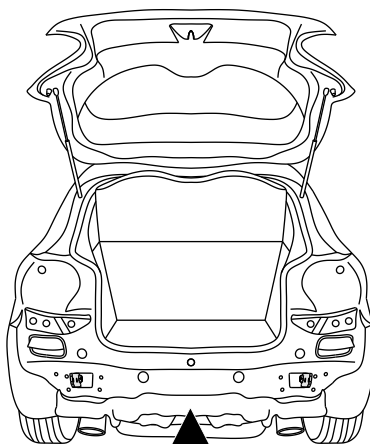
- 1x 
- 1x  ø8,4mm
- 1x  M8

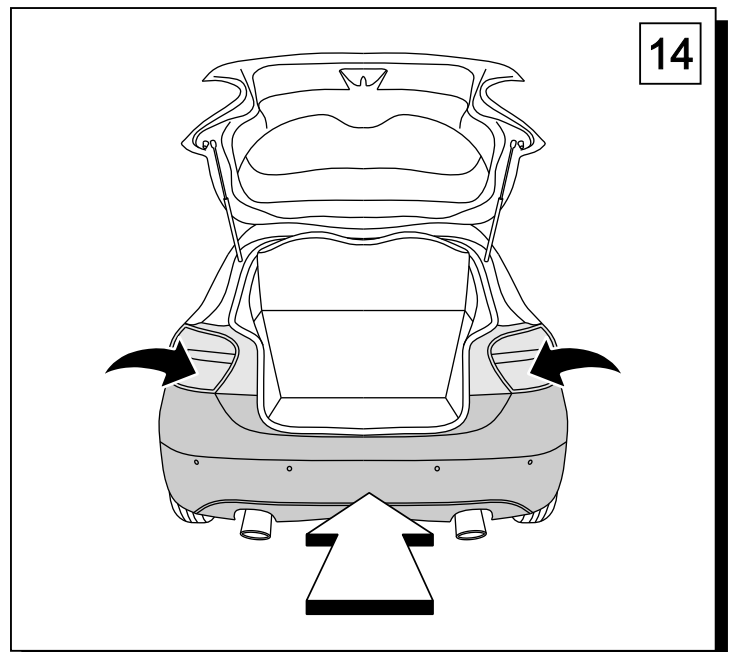
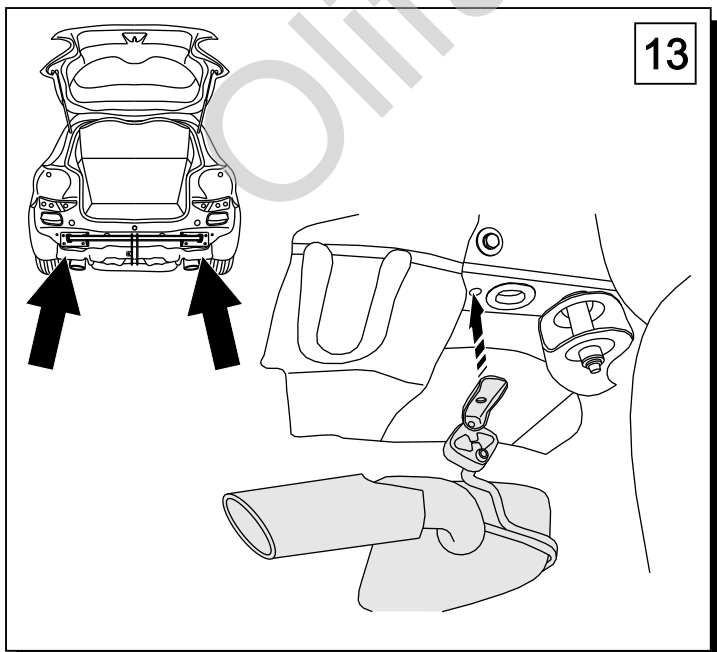
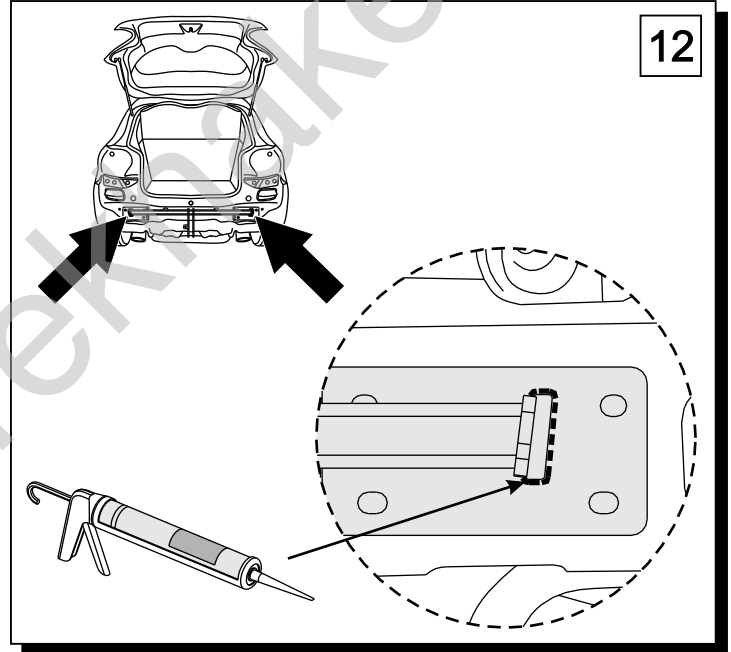
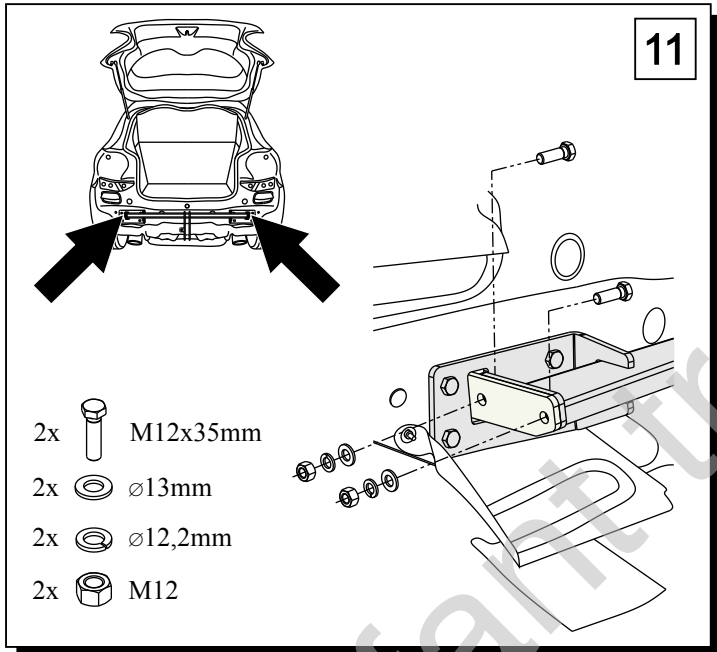
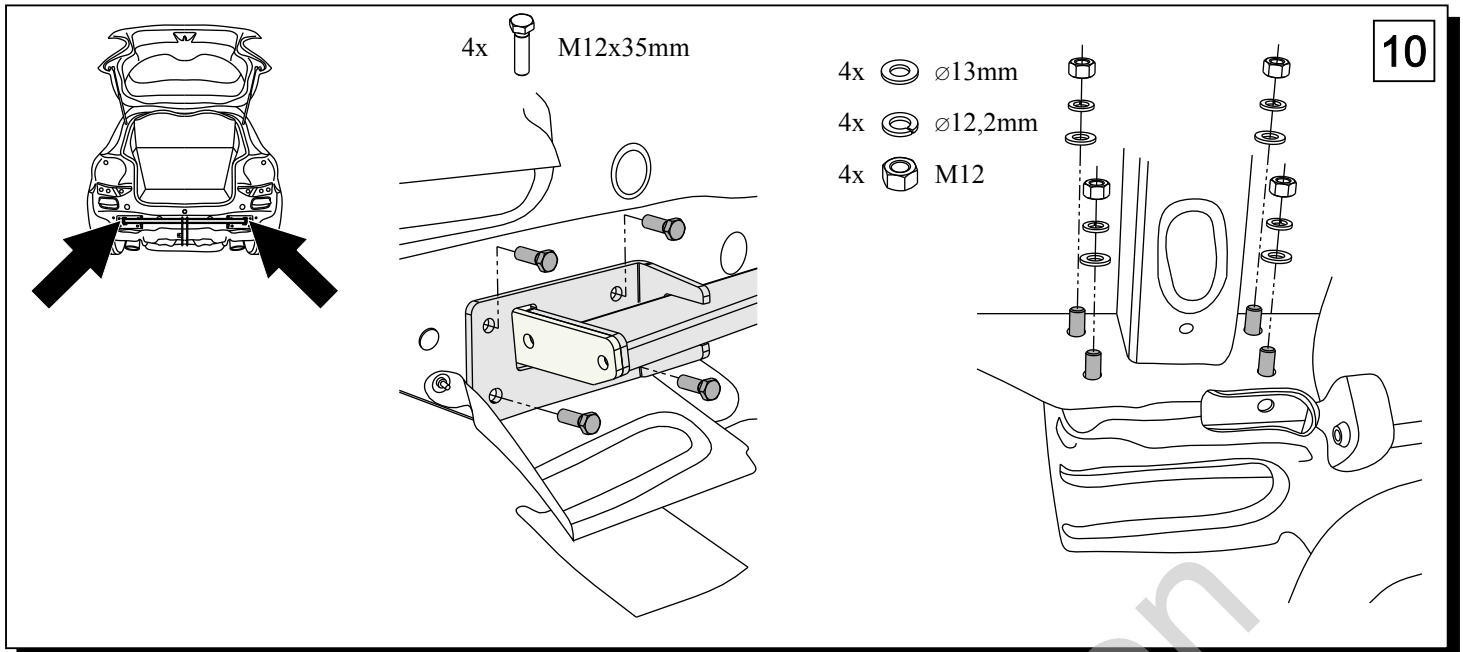



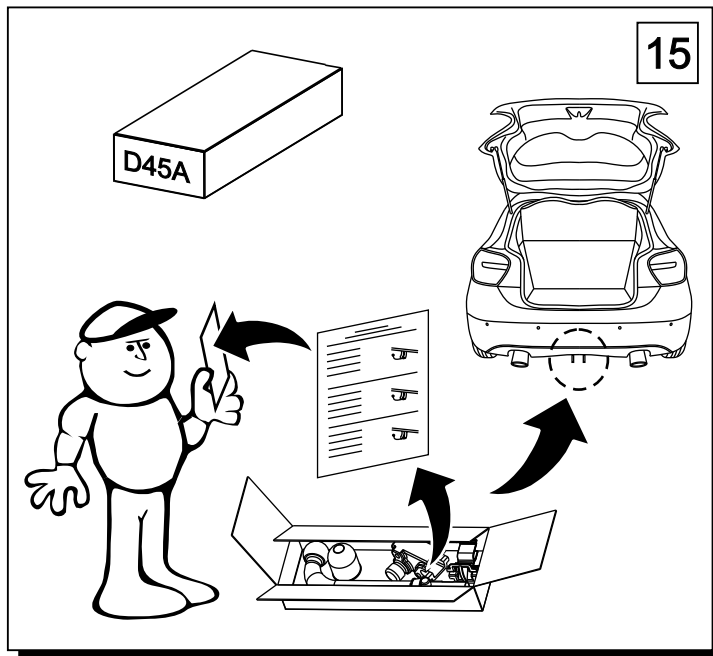
08



09







<b>M6</b>	-	11 Nm	<b>M8</b>	-	25 Nm
<b>M10</b>	-	50 Nm	<b>M12</b>	-	87 Nm
<b>M14</b>	-	138 Nm	<b>M16</b>	-	210 Nm

0 km → 1000 km