

AUTO-HAK Sp. z o.o.

ul. Słoneczna 16K 76-200 SŁUPSK
POLAND

tel/fax +48 59 8 414 414; +48 59 8 414 413

e-mail: office@autohak.com.pl

www.autohak.com.pl



AUTO-HAK

MERCEDES KLASA E 4D (W212), ~~AMG~~

Nr kat.

D43A



04.2009 →

e20

e20*94/20*1645*00

D

11,4 kN



2h



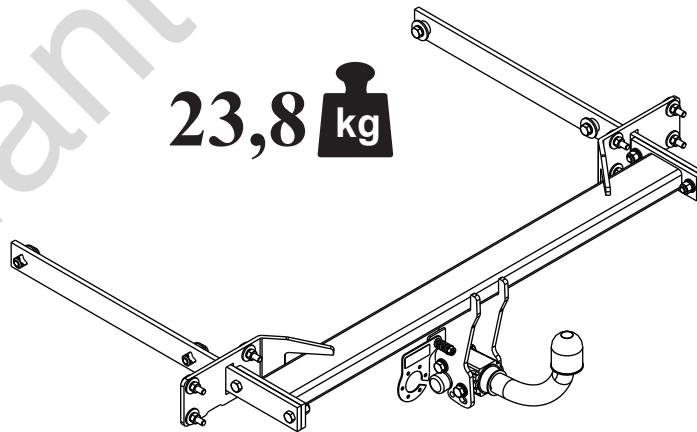
R=2100 kg



S=85 kg



23,8 kg



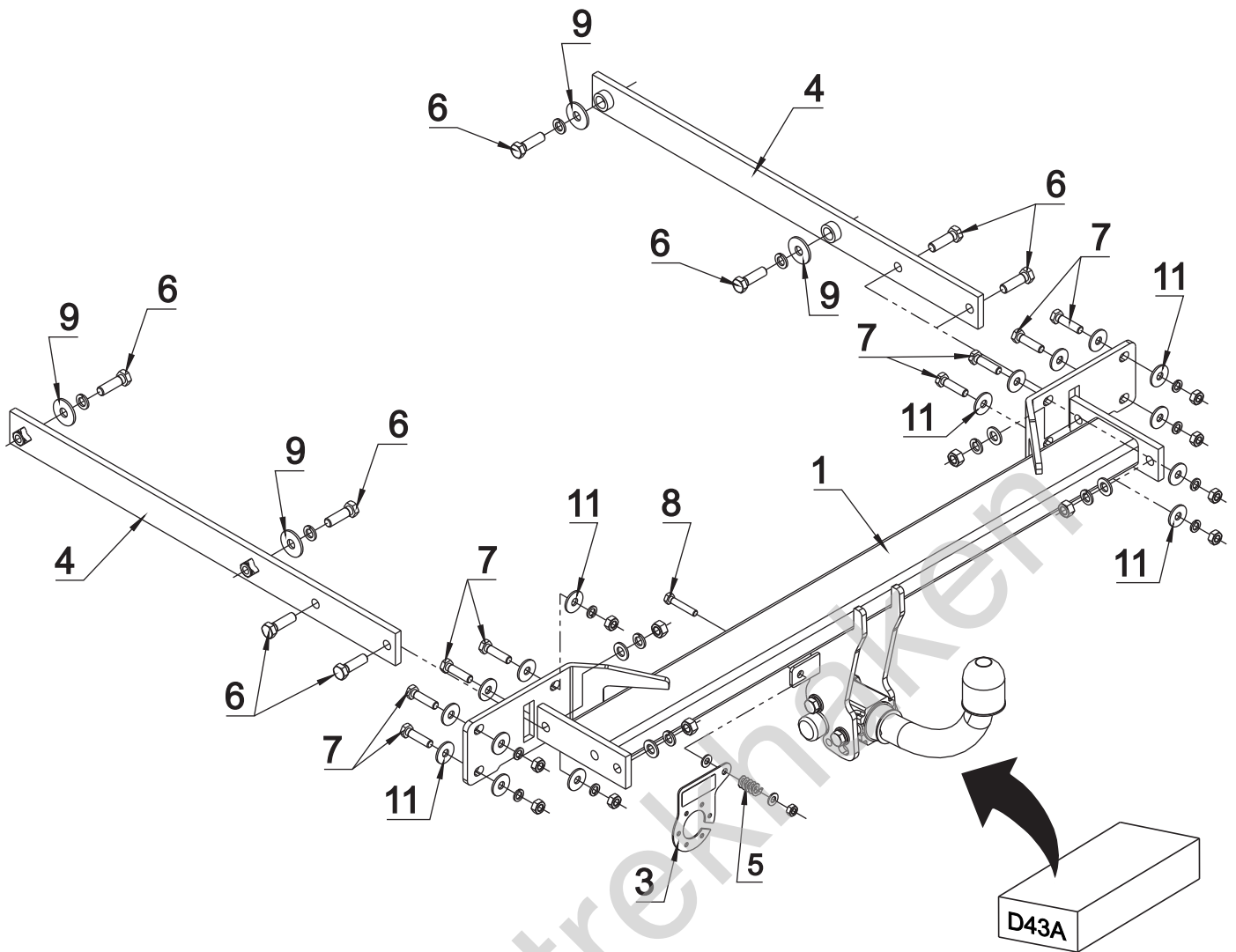
śruba	Nm	M6	M8	M10	M12	M14	M16
klasa 8.8		9,9	24	48	83	132	200
klasa 10.9		14	34	67	117	185	285

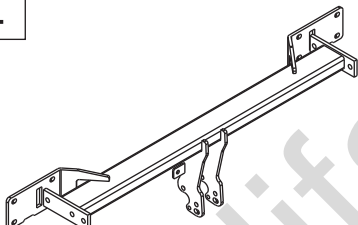

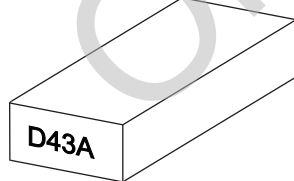

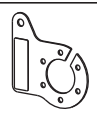

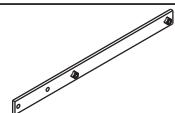
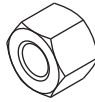



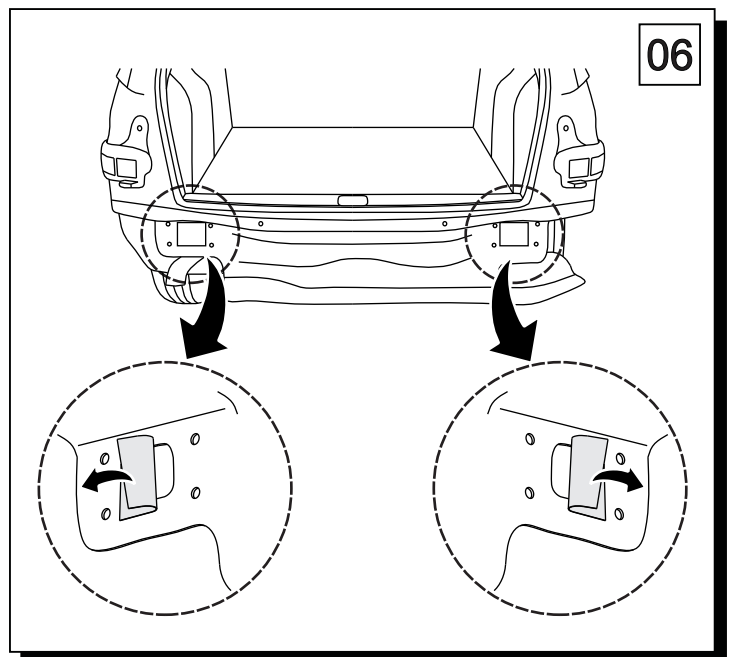
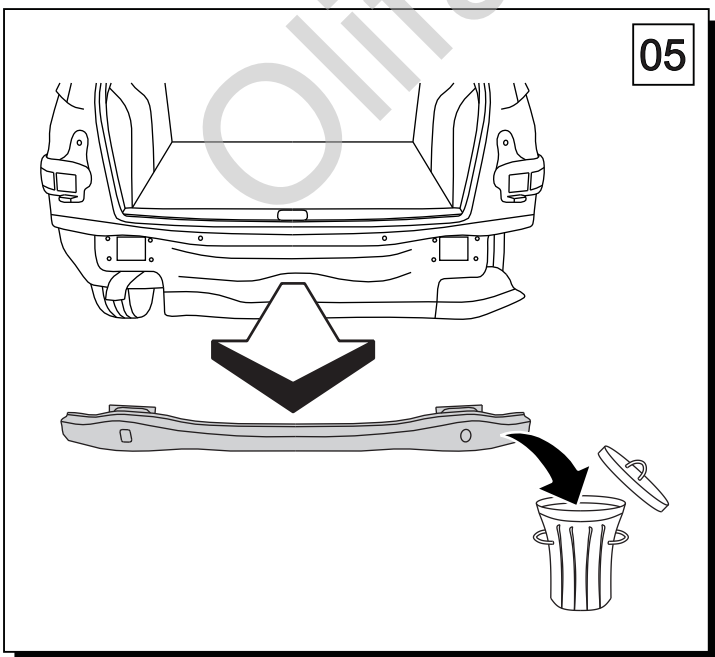
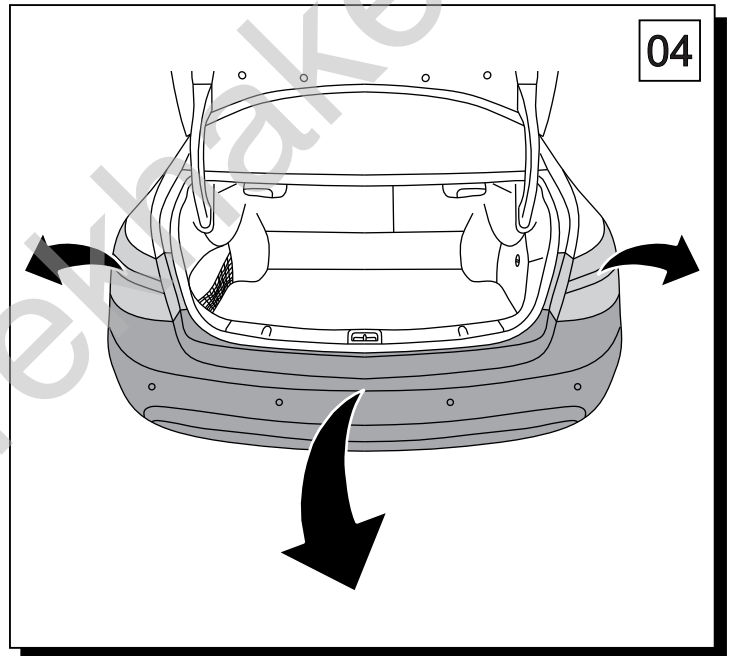
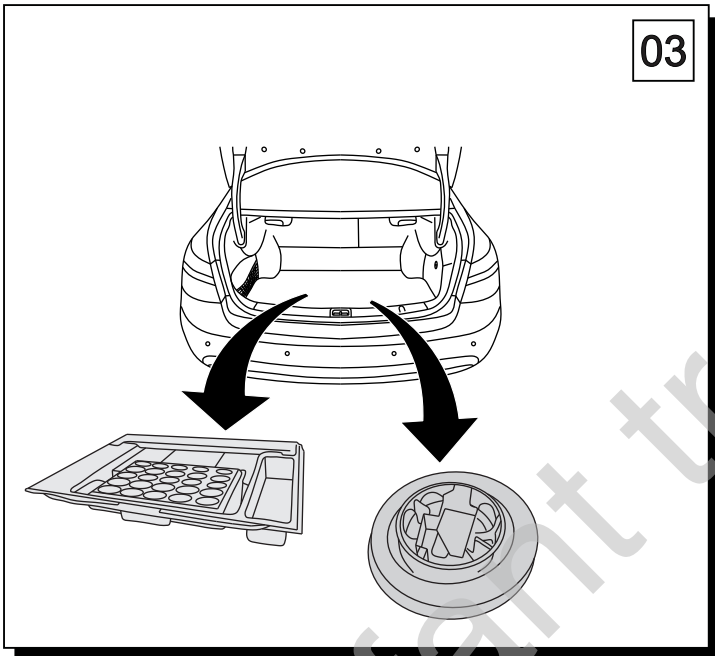
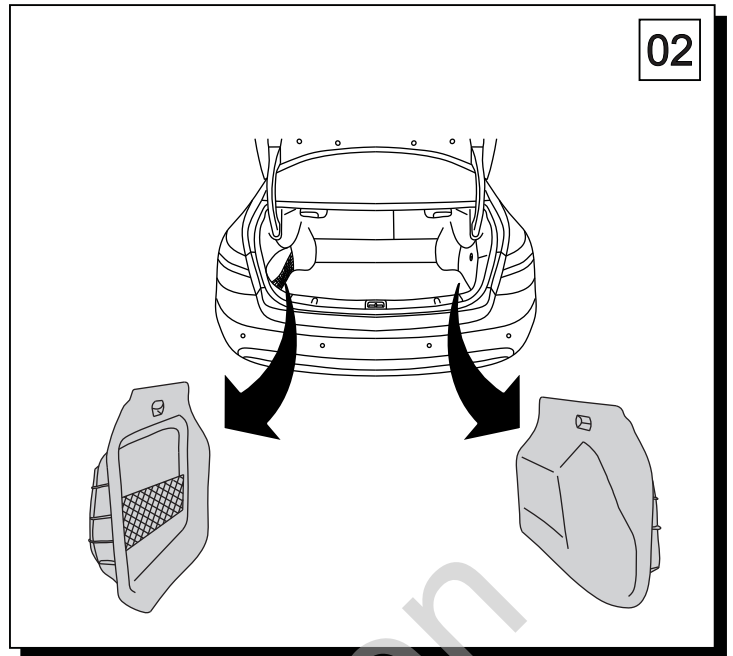
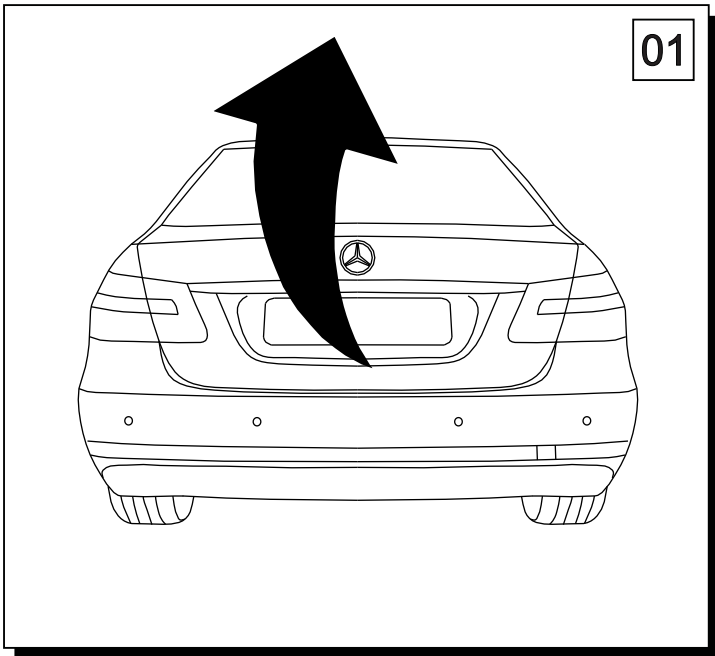
0 km →



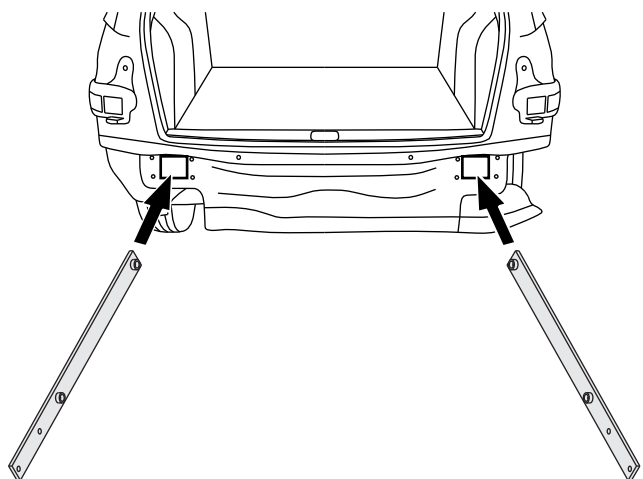
1000 km



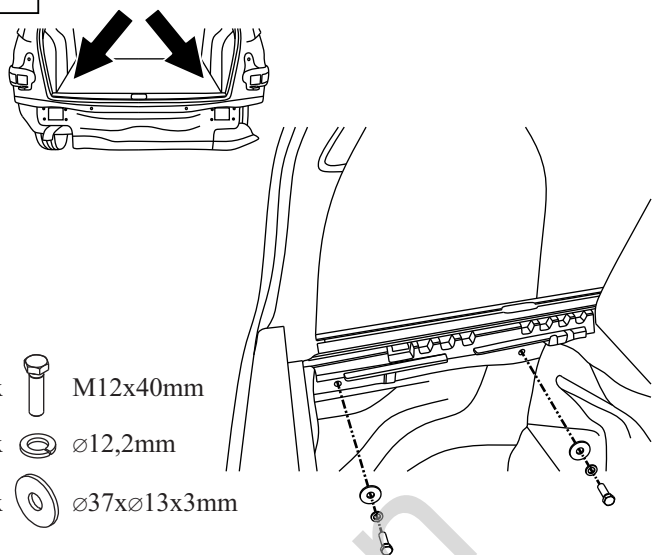
1		x 1		6	M 12x40	x 8
				7	M 10x40	x 8
2		x 1		8	M 8x45	x 1
				9	∅ 37x∅13x3 13 (DIN 9021)	x 4
3		x 1		10	∅ 13	x 4
				11	∅ 30x∅10.5x2.5 10 (DIN 9021)	x 16
4		x 2		12	∅ 8.4	x 2
				13	∅ 12.2	x 8
5		x 1		14	∅ 10.2	x 8
				15	M 12	x 4
				16	M 10	x 8
				17	M 8	x 1






07

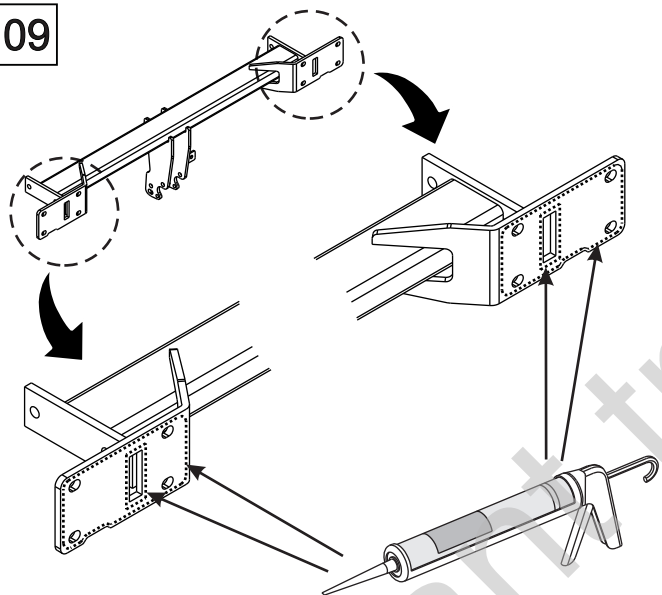


08

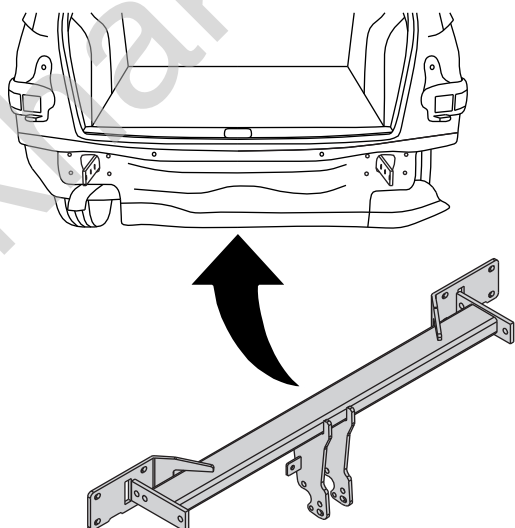


- 2x  M12x40mm
- 2x  $\varnothing 12,2\text{mm}$
- 2x  $\varnothing 37 \times \varnothing 13 \times 3\text{mm}$

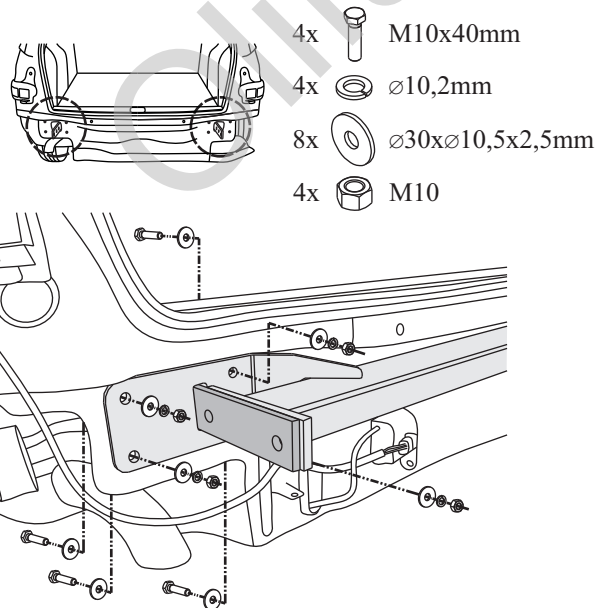
09







10

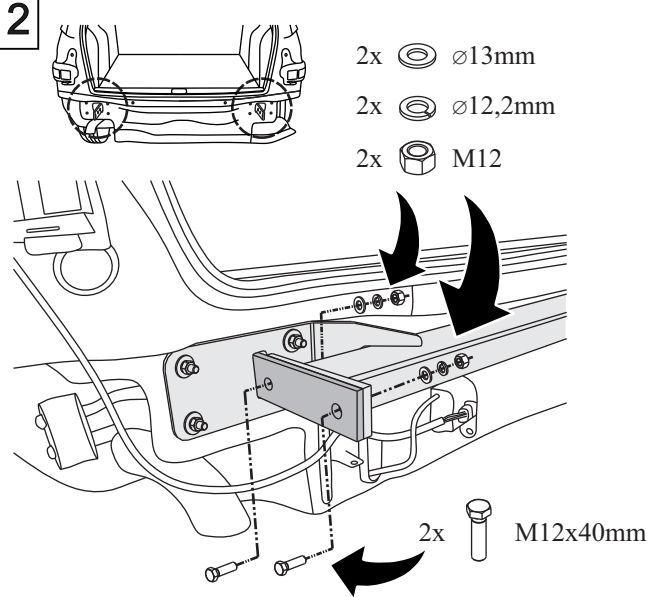





11



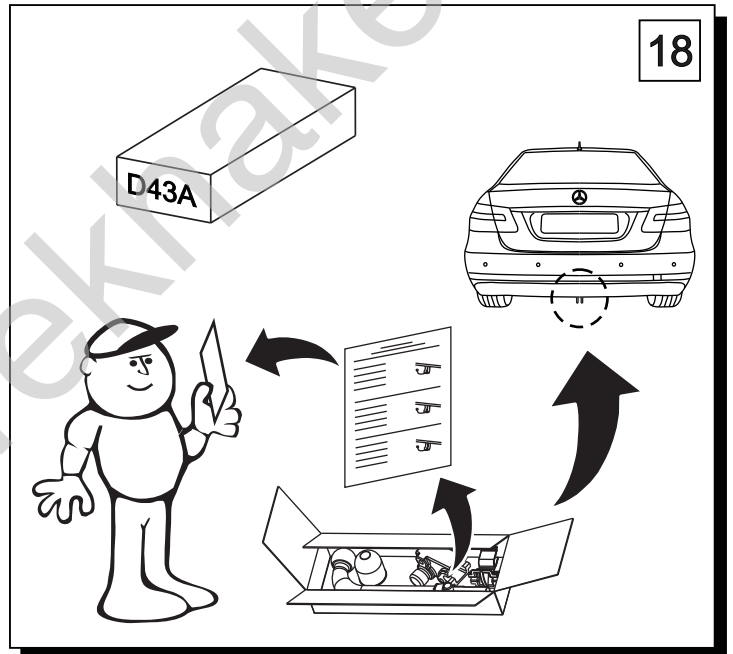
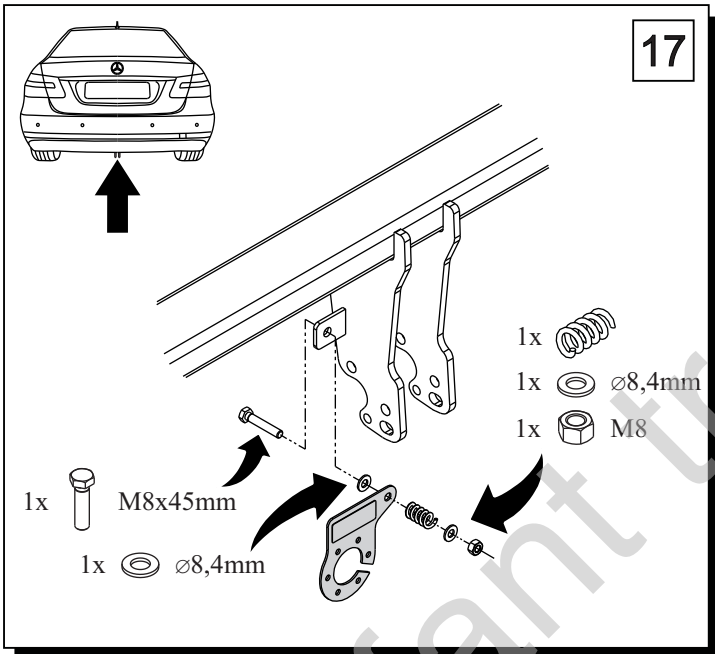
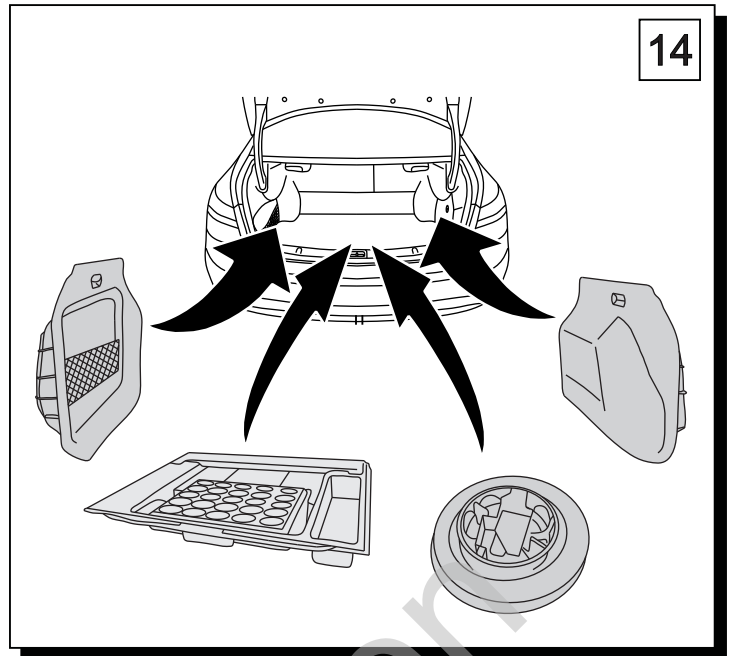
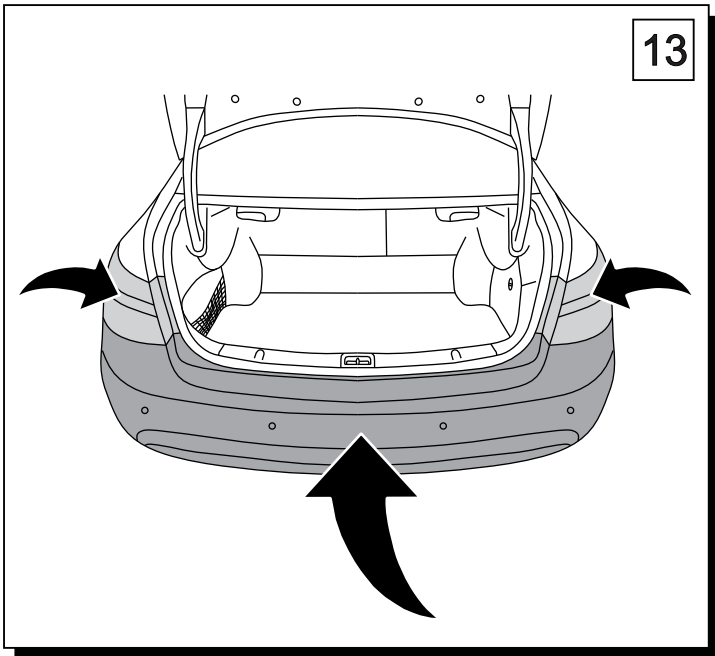

- 4x  M10x40mm
- 4x  $\varnothing 10,2\text{mm}$
- 8x  $\varnothing 30 \times \varnothing 10,5 \times 2,5\text{mm}$
- 4x  M10

12





- 2x  $\varnothing 13\text{mm}$
- 2x  $\varnothing 12,2\text{mm}$
- 2x  M12

- 2x  M12x40mm

M6	-	11 Nm	M8	-	25 Nm
M10	-	50 Nm	M12	-	87 Nm
M14	-	138 Nm	M16	-	210 Nm

 **0 km** →  **1000 km**