

PPUH AUTO-HAK Sp.J.

Henryk i Zbigniew Nejman
ul. Słoneczna 16K 76-200 SŁUPSK
POLAND

tel/fax +48 59 8 414 414; +48 59 8 414 413

e-mail: office@autohak.com.pl

www.autohak.com.pl



AUTO-HAK



MERCEDES klasa E
kombi (S212), 4-MATIC
~~AMG~~

Cat. no:

D42A



11.2009 →

e20

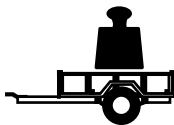
e20*94/20*1630*00



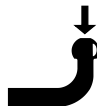
2h

D

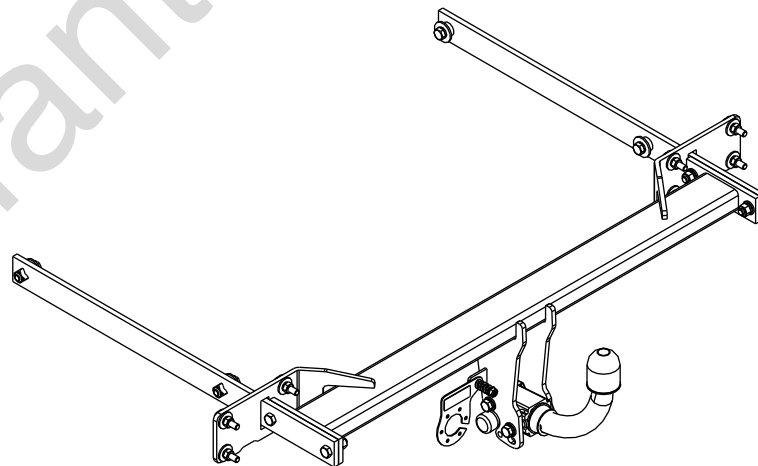
11,64 kN



R=2100 kg



S=88 kg



M6 - 11 Nm
M10 - 50 Nm
M14 - 138 Nm

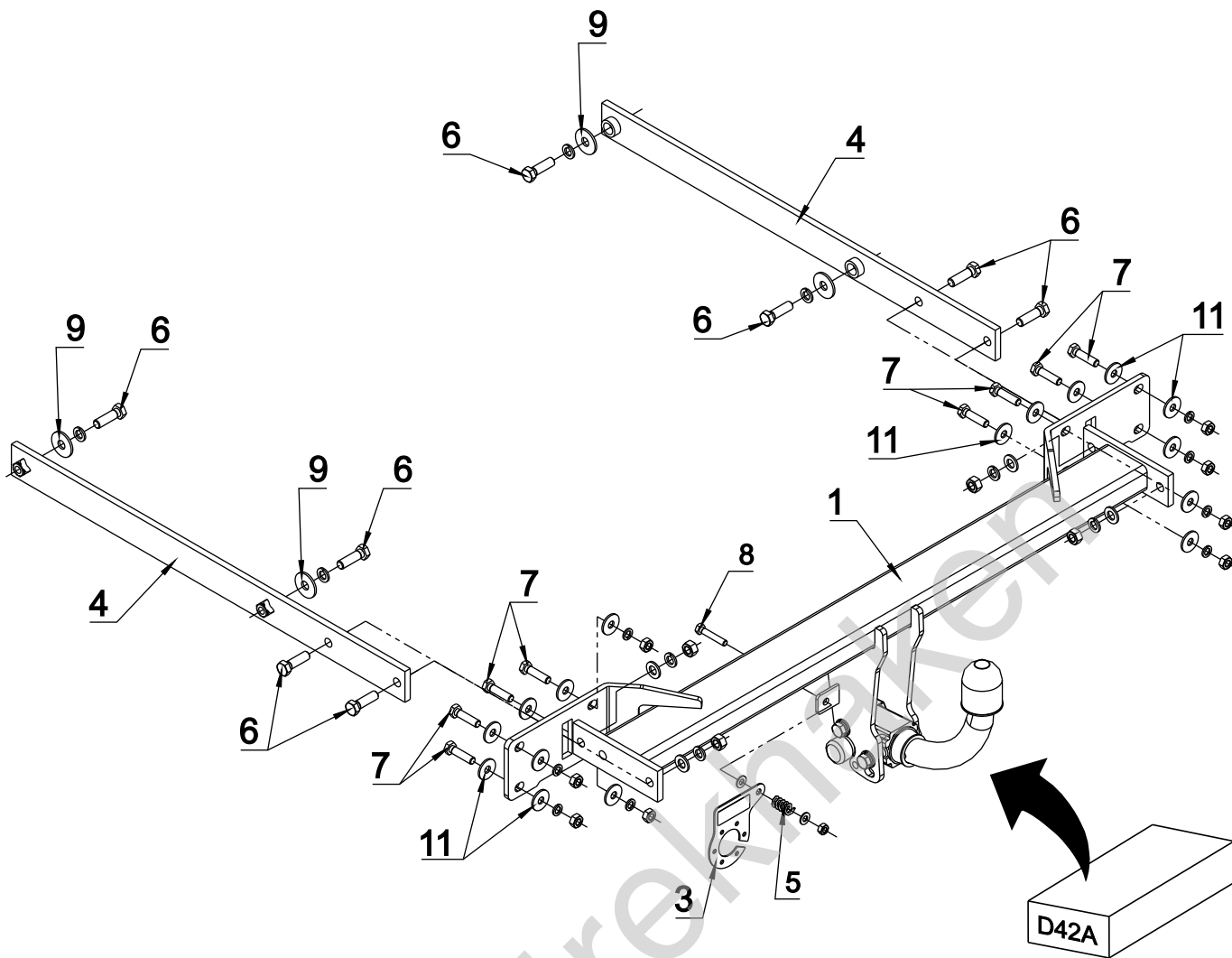
M8 - 25 Nm
M12 - 87 Nm
M16 - 210 Nm

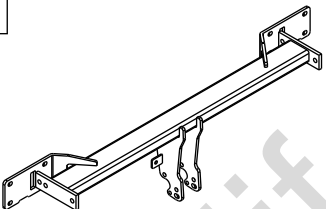
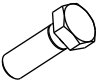
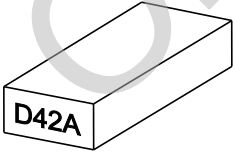
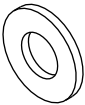
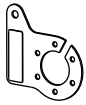

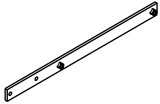

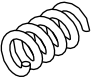
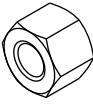


0 km →

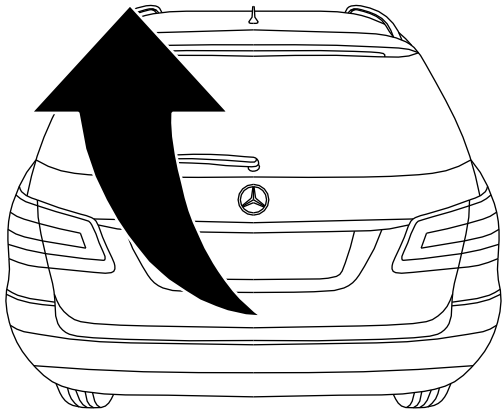


1000 km

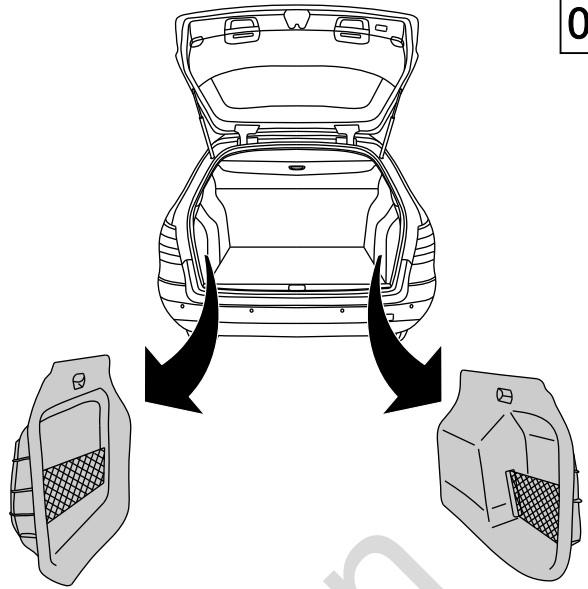


| | | | | | | |
|---|-------------------------------------------------------------------------------------|-----|-------------------------------------------------------------------------------------|----|-----------------------------------------------------------|------|
| 1 |  | x 1 |  | 6 | M 12x40 | x 8 |
| | | | | 7 | M 10x40 | x 8 |
| 2 |  | x 1 |  | 8 | M 8x45 | x 1 |
| | | | | 9 | \varnothing 37x \varnothing 13x3 13 (DIN 9021) | x 4 |
| 3 |  | x 1 |  | 10 | \varnothing 13 | x 4 |
| | | | | 11 | \varnothing 30x \varnothing 10.5x2.5 10 (DIN 9021) | x 16 |
| 4 |  | x 2 |  | 12 | \varnothing 8.4 | x 2 |
| | | | | 13 | \varnothing 12.2 | x 8 |
| 5 |  | x 1 |  | 14 | \varnothing 10.2 | x 8 |
| | | | | 15 | M 12 | x 4 |
| | | | | 16 | M 10 | x 8 |
| | | | | 17 | M 8 | x 1 |

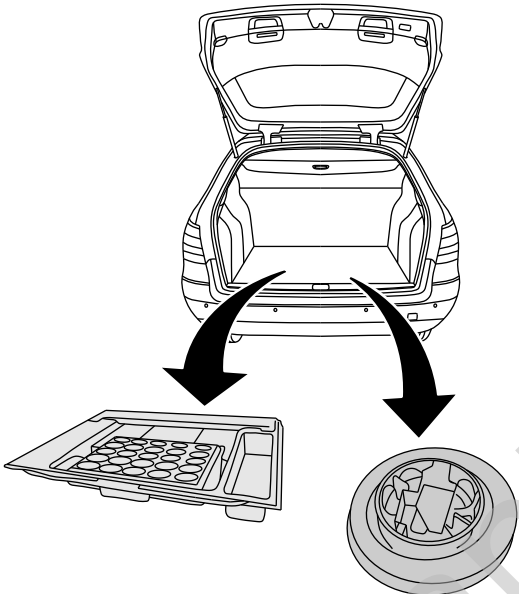
01



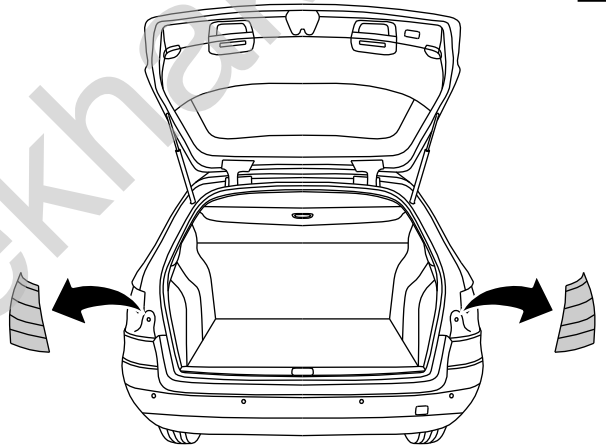
02



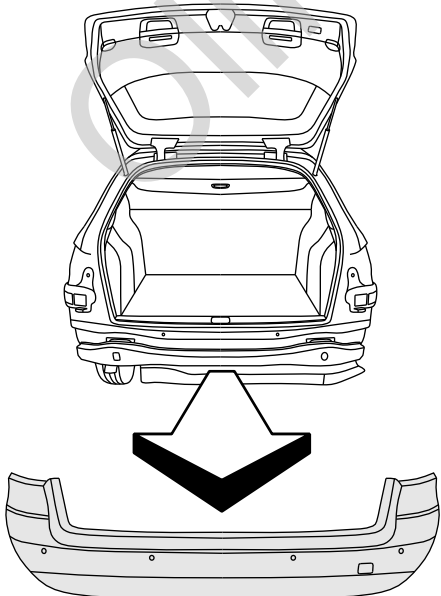
03



04



05



06

